



 **National**
Seal Systems
Limited

Unit 210 Holly Road, Western Industrial Estate.

Naas Road, Dublin 12

Ph 00353-1-4565170 Fax 00353-1-4502371

Email: info@nationalseal.ie web: www.nationalseal.ie

AT THE FRONT OF WEATHER PROTECTION



For sales and enquiries call



Unit 210 Holly Road, Western Industrial Estate.

Naas Road, Dublin 12

Ph 00353-1-4565170 Fax 00353-1-4502371

Email: info@nationalseal.ie web: www.nationalseal.ie



National Seal Systems Limited

*Unit 210 Holly Road, Western Industrial Estate,
Naas Road, Dublin 12
Ph 00353-1-4565170 Fax 00353-1-4502371
Email: info@nationalseal.ie web: www.nationalseal.ie*

Stormguard is a family run company with over 150 years experience in the rain and draught excluder industry. Its principal product, the Stormguard Sill, sometimes known as the Macclesfield step, has been produced since the late 19th century.

Respected by Architects and Contractors and fitted to properties throughout the UK, the Stormguard Sill is a product that works. Unique designs, superior build quality, and extended range, ensure that Stormguard is at the forefront of the industry.

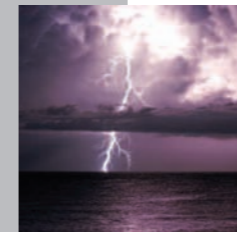
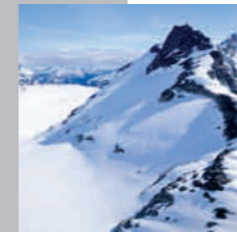
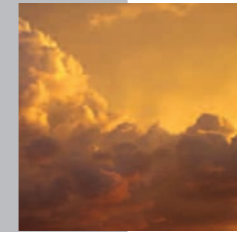
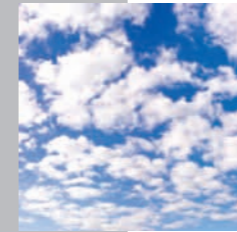
The Company's determination to develop new products, and improve existing designs, in line with its customer requirements, has established Stormguard's reputation as a leader in the field of rain and draught exclusion development. The Stormguard Group has recently expanded its portfolio to incorporate a fully comprehensive range of extruded and fabricated metal rainwater systems for every type of domestic, commercial or industrial building. These products are offered by Stormguard Rainwater Systems, with all details available in our Rainwater catalogue and on our website.

With changes to our weather patterns, we are experiencing more extreme conditions, and it is very important that the correct high performance thresholds, seals and draught excluders are fitted to keep out rain and cold.

Stormguard's new and innovative solutions for weatherproofing doors and windows are aiding in the fight against energy wastage and helping to combat the very high cost of carbon fuels and electricity.

Stormguard sills have proved so effective in preventing rainwater from penetrating under doors that architects and builders have specified and fitted many millions of them to homes in Britain during the past five decades. Today's Stormguard sills still use the same water collecting and dispersal system first invented in our iron foundry over a century ago.

The reason the system remains largely unchanged is because it is so completely effective, simple to fit, and has no moving parts requiring expensive maintenance.



Threshold Sills

Part 'M' Thresholds	6
General Thresholds	17
Threshold Ramps	21
Rain Deflectors	24
Edge Protectors	25

Door Seals

ADS Around Door Seals	28
BDS Bottom Of Door Seals	31
Letterplate Seals	34
Acoustic and Fire Seals	35

Component Products

Infills	38
U Rail	39
Connectors	40
Locking Keeps	42
Cover Protectors	43
Corner Protectors	43
Head Cap	43
Edge Cover	43

Product Specifications

Table of Products (centrefold)	22
--------------------------------	----



THRESHOLD SILLS

Stormguard threshold sills are designed to collect rainwater from under and around the door, draining it back outside. Over the years, a number of attempts have been made to copy our original 'Macclesfield Sill', but none has succeeded in capturing the flair behind our basic design. After 100 years, we are still the market leader; designing, manufacturing and distributing the most effective weather excluders in the world.

PART 'M' THRESHOLDS

Proline AM3EX	06
Proline AM5EX	07
Proline AM3	08
Proline AM5JX	09
Trimline	09
Trimline Rio	10
Trimline 20	10
SG2000	11
Slimline Wide	12
Slimline	13
Eco 3000	14
Leveltread 20	14
Leveltread 25	14
Proline AM3EX Subsill	15
Proline AM5EX Subsill	15
Proline AM4	15
Panic Door Threshold	16

GENERAL THRESHOLDS

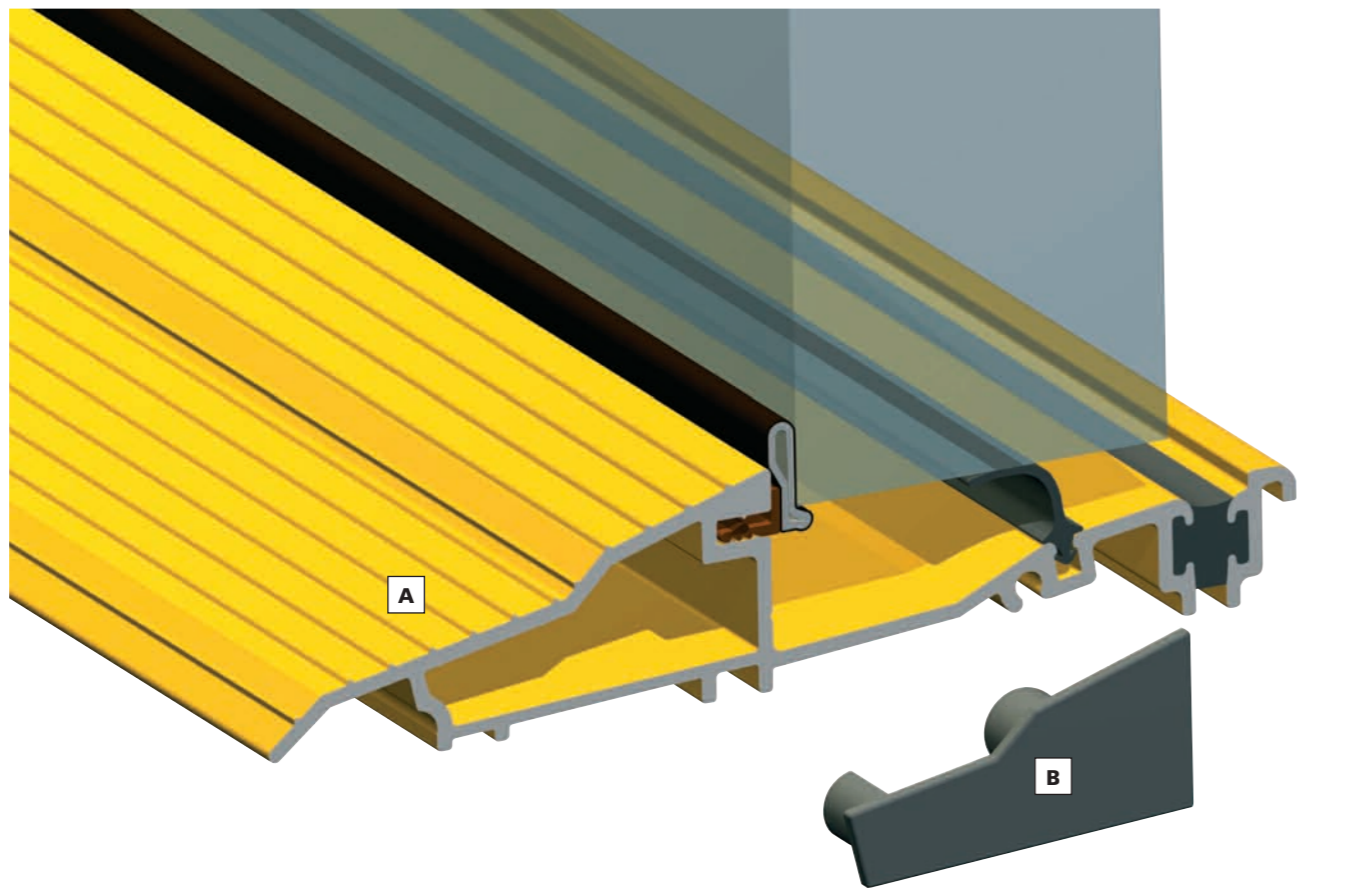
SG100	17
SG44	17
SG50	17
Commercial Door Type Threshold	18
Brydale Sill	18
Outward Opening Thermal Break	18
CDX	19
Hi Bar	19
Dry - X Winterbar	19
Lowline	20
Superseal	20
Masterguard 51 & Spacer	20

THRESHOLD RAMPS

Proline Quadrant Ramp	21
Proline Low Ramp	21
Eco Ramp	21
Industrial Raised Ramp	21
Treadplate	21
Product Specifications	22-23

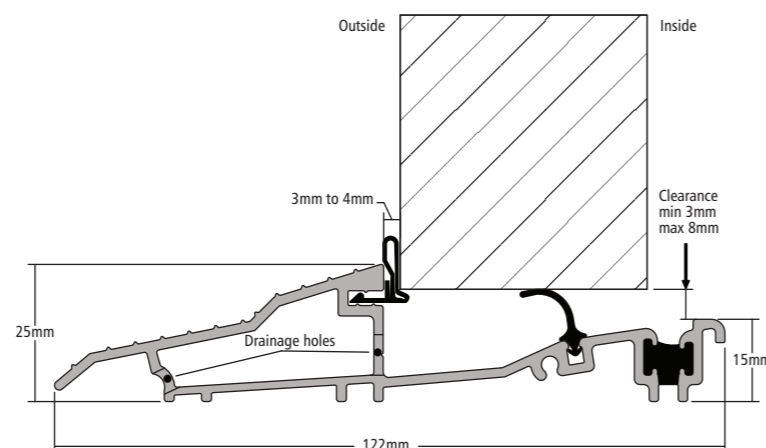
RAIN DEFLECTORS

32mm Rain Deflector	24
63mm Rain Deflector	24
ICD Concealed Fixing Rain Deflector	24
Double Fin Rain Deflector	25
Edge Protectors	25



KEY

- A** Proline AM3EX Sill
- B** Push Fit end caps

**PROLINE AM3EX**

MOBILITY EASY ACCESS THRESHOLD DOOR SILL



For inward opening doors.

Code: 04 CP 219

Fully tested resin thermal break.

- Designed for door set manufacturers, can be installed as the fourth side of a door frame or retro fitted.
- Thermally broken to meet thermal bridging and insulation requirements, can be used with many different frame and door materials, eg wood, PVCu, fibreglass, aluminium, steel, and carbon fibre.
- Designed to fit directly onto level thresholds.
- Ideal for use with carpeted floors. Optional clip-in internal transition ramps also allow use with tiled or wooden floors.
- Non-slip surfaces ensure a safe grip in wet conditions.

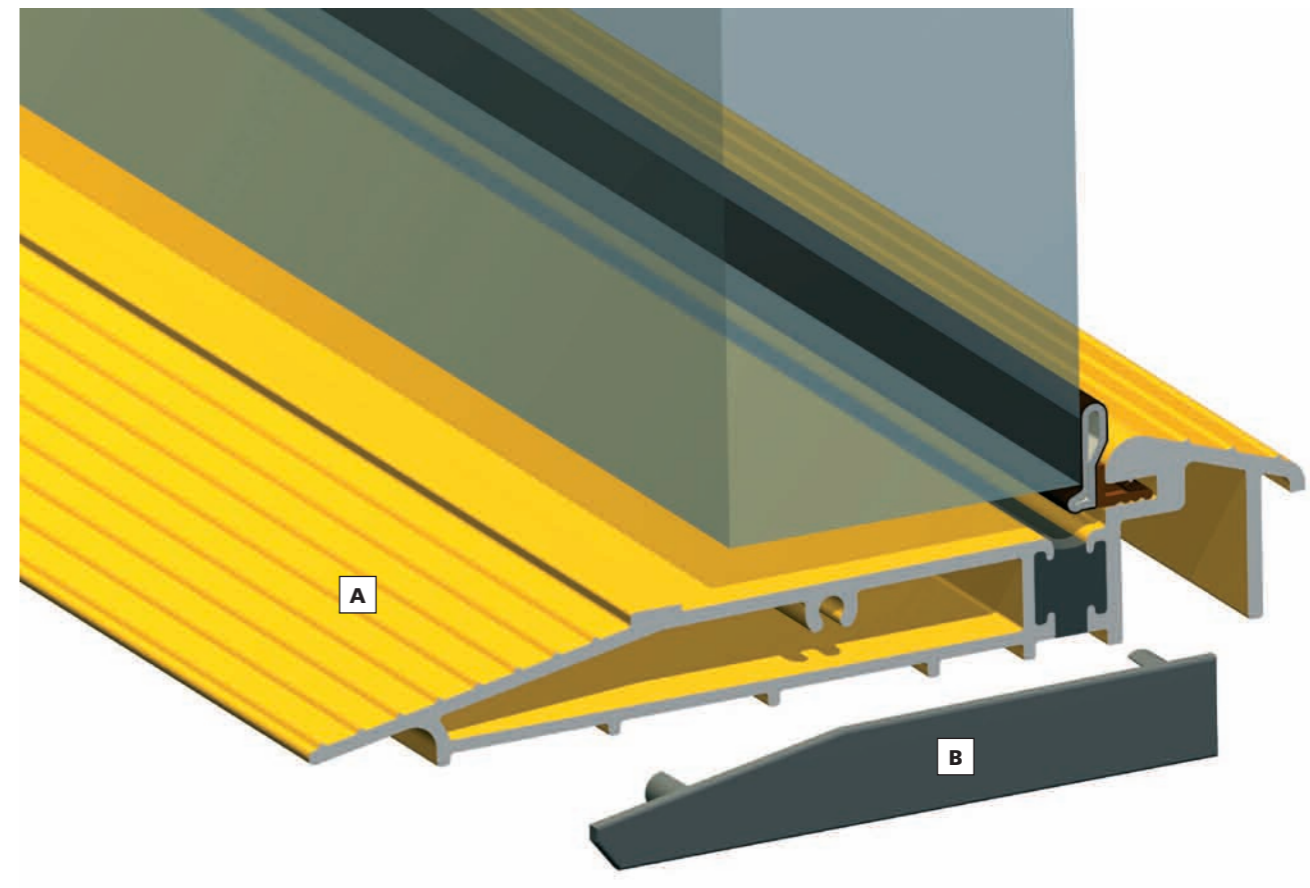
Available in: Matt Aluminium

Matt Gold Effect Aluminium

Sizes: 1m, 2m, 3m

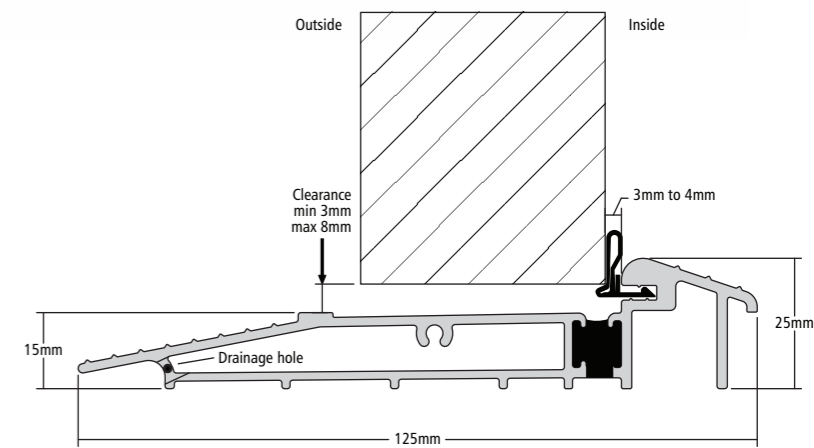
Component products available:-

Proline Quadrant Ramp	(Page 21) 04 CP 042
Proline Low Ramp	(Page 21) 04 CP 224
AM3EX Adjustable Locking Keeps	(Page 42) Various
AM3EX Connectors	(Page 40) Various
AM3EX Sidelight/Frame Infill Bar	(Page 39) 20 CP 148
AM3EX Sidelight/Frame Infill Blocks	(Page 39) 20 CP 159
AM3EX End Caps	(Page 43) 22 CP 135
PVC Door Infills	(Page 38) Various
AM3 Corner Protectors	(Page 43) 26 CP 296

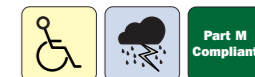


KEY

- A** Proline AM5EX Sill
- B** Push Fit end caps

**PROLINE AM5EX**

MOBILITY EASY ACCESS THRESHOLD DOOR SILL



For outward opening doors.

Code: 04 CP 220

Fully tested resin thermal break.

- Designed for door set manufacturers, can be installed as the fourth side of a door frame or retro fitted.
- Thermally broken to meet thermal bridging and insulation requirements, can be used with many different frame and door materials, eg wood, PVCu, fibreglass, aluminium, steel, and carbon fibre.
- Designed to fit directly onto level thresholds.
- Ideal for use with carpeted floors. Optional clip-in internal transition ramps also allow use with tiled or wooden floors.
- Non-slip surfaces ensure a safe grip in wet conditions.

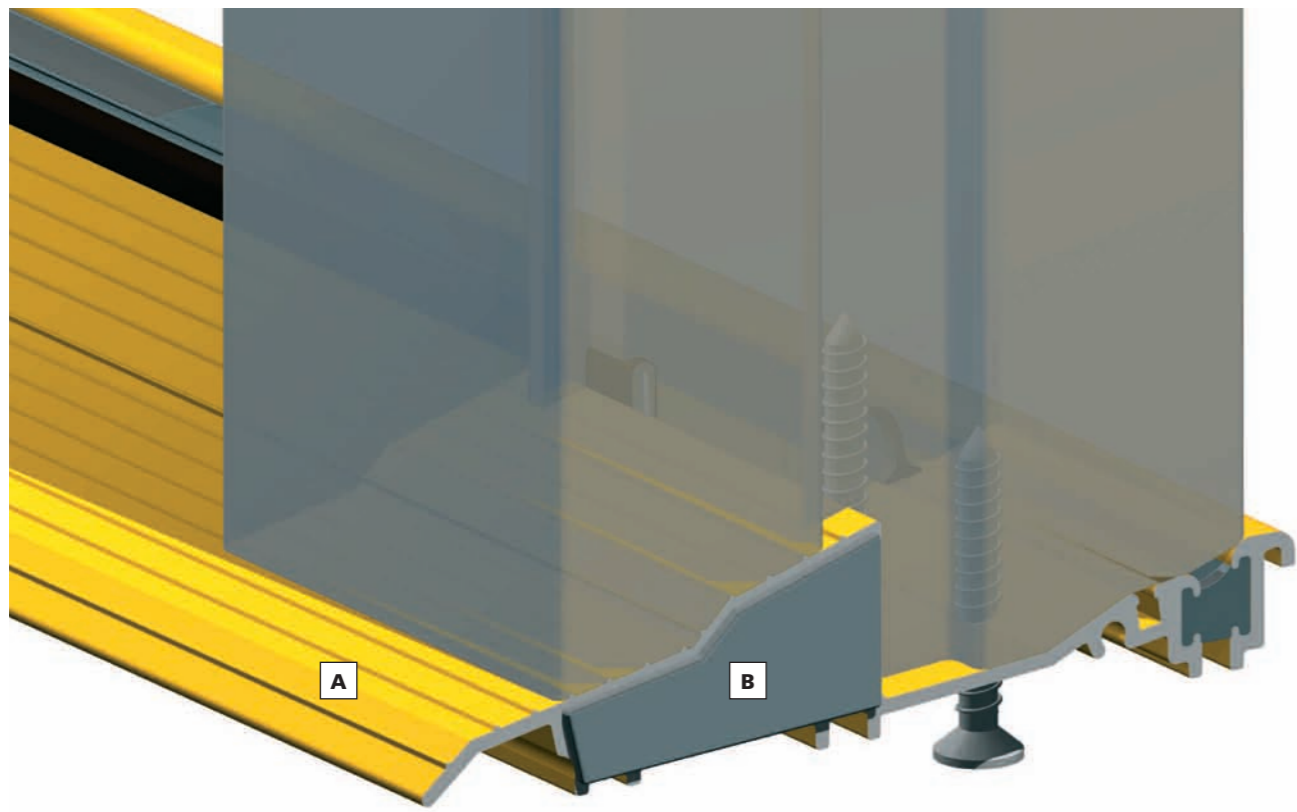
Available in: Matt Aluminium

Matt Gold Effect Aluminium

Sizes: 1m, 2m, 3m

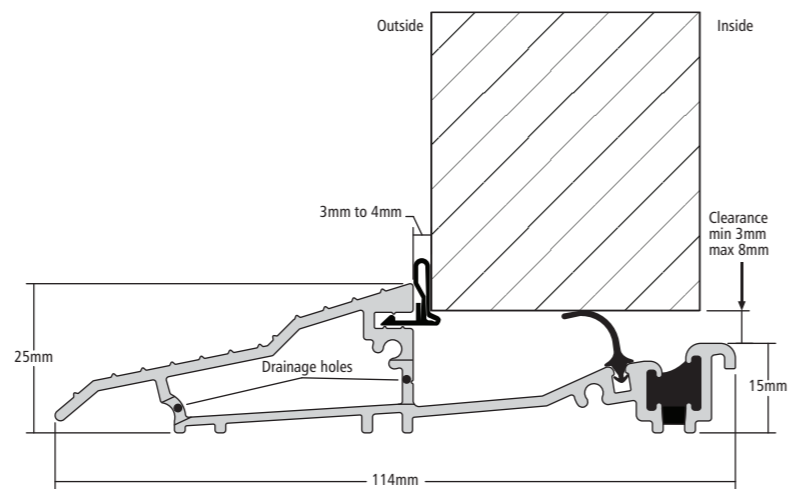
Component products available:-

Eco Ramp	(Page 21) 04 CP 092
AM5EX Adjustable Locking Keeps	(Page 42) Various
AM5EX Connectors	(Page 41) Various
AM5EX Sidelight/Frame Infill Blocks	(Page 39) 20 CP 242
AM5EX End Caps	(Page 43) 22 CP 244
PVC Door Infills	(Page 38) Various
AM3 Corner Protectors	(Page 43) 26 CP 296



KEY

- A** Proline AM3 Sill
- B** Push Fit end caps

**PROLINE AM3**

MOBILITY EASY ACCESS THRESHOLD DOOR SILL



For inward opening doors.

Code: 04 CP 071

Fully tested resin thermal break.

- Designed for door set manufacturers, can be installed as the fourth side of a door frame or retro fitted.
- Thermally broken to meet thermal bridging and insulation requirements, can be used with many different frame and door materials, eg wood, PVCu, fibreglass, aluminium, steel, and carbon fibre.
- Designed to fit directly onto level thresholds. Specify Proline AM3 Subsill (04 CP 225) for use with a PVC, wood or composite subsill.
- Ideal for use with carpeted floors. Optional clip-in internal transition ramps also allow use with tiled or wooden floors.
- Non-slip surfaces ensure a safe grip in wet conditions.

Available in: Matt Aluminium



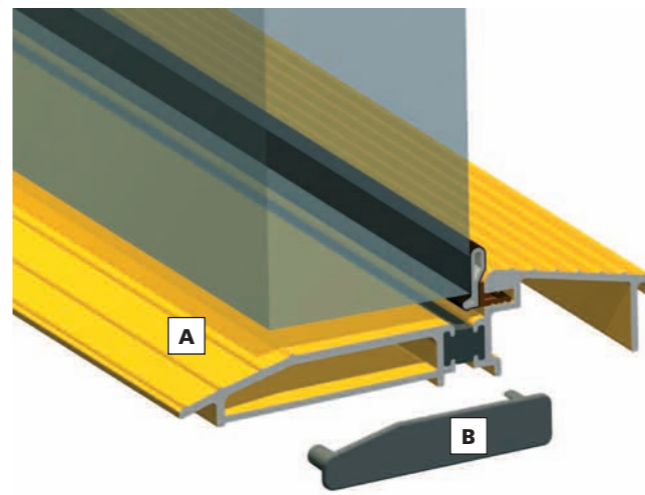
Matt Gold Effect Aluminium



Sizes: 1m, 2m, 3m

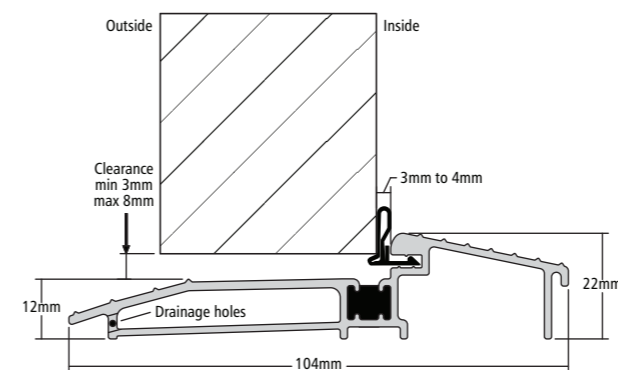
Component products available:–

Proline Quadrant Ramp	(Page 21) 04 CP 042
Proline Low Ramp	(Page 21) 04 CP 224
AM3 Frame Infill Bar	(Page 39) 20 CP 148
AM3 Frame Infill Blocks	(Page 39) 20 CP 159
AM3 Adjustable Locking Keeps	(Page 42) Various
AM3EX Connectors	(Page 41) Various
AM3 Corner Protectors	(Page 43) 26 CP 296
AM3 End Caps	(Page 43) 22 CP 135

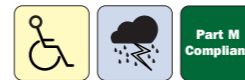


KEY

- A** Proline AM5JX Sill
- B** Push Fit end caps

**PROLINE AM5JX**

MOBILITY EASY ACCESS THRESHOLD DOOR SILL



For outward opening doors.

Code: 04 CP 321

Fully tested resin thermal break.

- Designed for door set manufacturers, can be installed as the fourth side of a door frame or retro fitted.
- Thermally broken to meet thermal bridging and insulation requirements, can be used with many different frame and door materials, eg wood, PVCu, fibreglass, aluminium, steel, and carbon fibre.
- Designed to fit directly onto level thresholds.
- Ideal for use with carpeted floors. Optional clip-in internal transition ramps also allow use with tiled or wooden floors.
- Non-slip surfaces ensure a safe grip in wet conditions.

Available in: Matt Aluminium



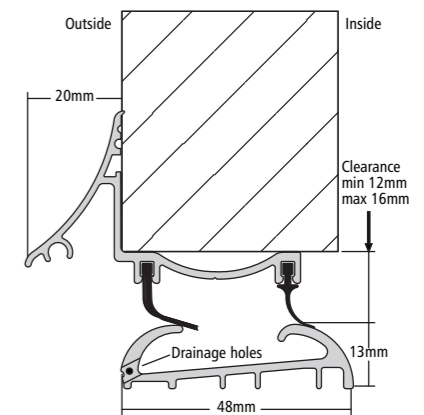
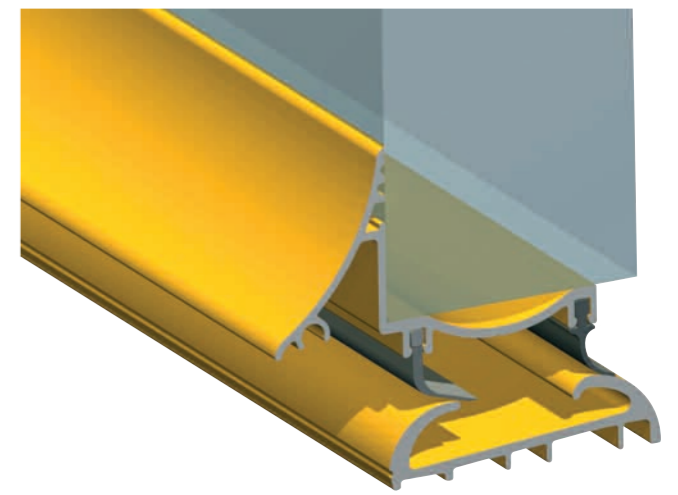
Matt Gold Effect Aluminium



Sizes: 1m, 2m, 3m

Component products available:–

Proline Quadrant Ramp	(Page 21) 04 CP 042
Proline Low Ramp	(Page 21) 04 CP 244
AM5JX End Caps	(Page 43) 22 CP 383

**TRIMLINE**

MOBILITY EASY ACCESS THRESHOLD DOOR SILL



Fits both inward & outward opening doors.

Code: 04 CP 004 Retail Pack 04 SG 004

- For use where the under door gap is smaller than 29mm (minimum gap 25mm, optimum gap 27mm).
- Designed to fit onto a subsill or directly onto a threshold.
- Excellent fitting tolerances up to 7mm.
- 13mm profile. Curved upstands front and rear facilitate access for wheelchairs and prams.
- Rubber draught seal fitted to rear, brush strip fitted to front.

Available in: Mill Finish Aluminium



Gold Effect Aluminium



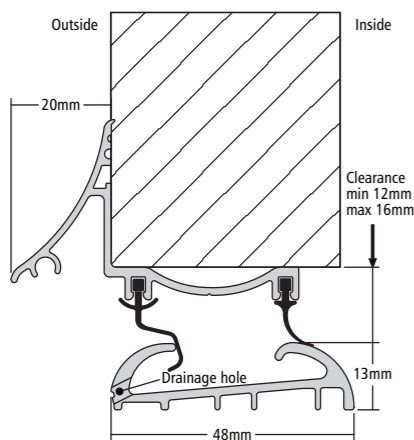
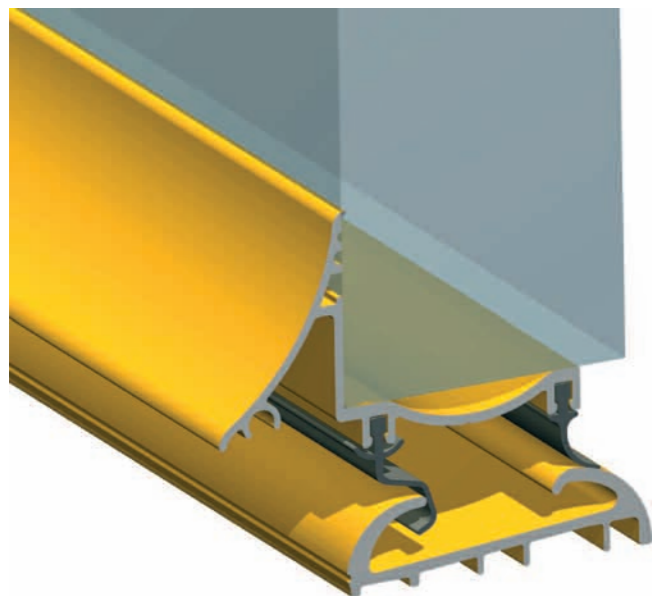
Sizes: 838mm (2'9"), 914mm (3'0"), 1219mm (4'0")

1524mm (5'0"), 1828mm (6'0"), up to 3053mm (10'0")

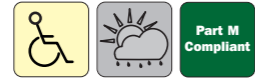
Component products available:–

Trimline Locking Keep 60mm & 150mm	(Page 42) 20 CP 077
Trimline Edge Protectors	(Page 25) 22 CP 215

Also available as a 3-Part Kit. Please call 01625 613311 for details or visit www.stormguard.co.uk





TRIMLINE RIO
MOBILITY EASY ACCESS
THRESHOLD DOOR SILL



Fits both inward & outward opening doors.
Code: 04 CP 100

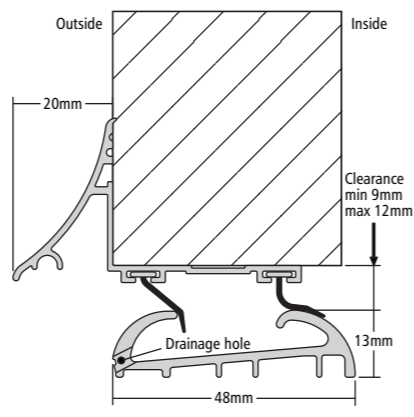
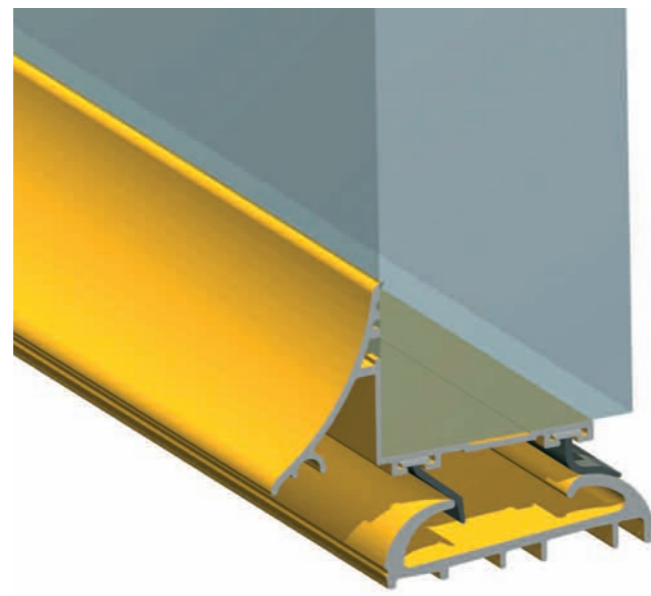
- For use where the under door gap is smaller than 29mm (minimum gap 25mm, optimum gap 27mm).
- With all the advantages of the Trimline, but fitted with the new high tech Stormguard Rio seal.
- Designed to fit onto a subsill or directly onto a threshold.
- Excellent fitting tolerances up to 7mm.
- 13mm profile. Curved upstands front and rear facilitate access for wheelchairs and prams.
- Rubber draught seal fitted to rear, Rio seal fitted to front.

Available in: Mill Finish Aluminium 
Gold Effect Aluminium 

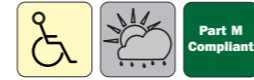
Sizes: 838mm (2'9"), 914mm (3'0"), 1219mm (4'0")
1524mm (5'0"), 1828mm (6'0"), up to 3053mm (10'0")

Component products available:-
Trimline Locking Keep 60mm & 150mm (Page 42) 20 CP 077
Trimline Edge Protectors (Page 43) 22 CP 215

Also available as a 3-Part Kit. Please call 01625 613311 for details or visit www.stormguard.co.uk





TRIMLINE 20 (2 PART)
MOBILITY EASY ACCESS
THRESHOLD DOOR SILL



Fits both inward & outward opening doors.
Code: 04 CP 217

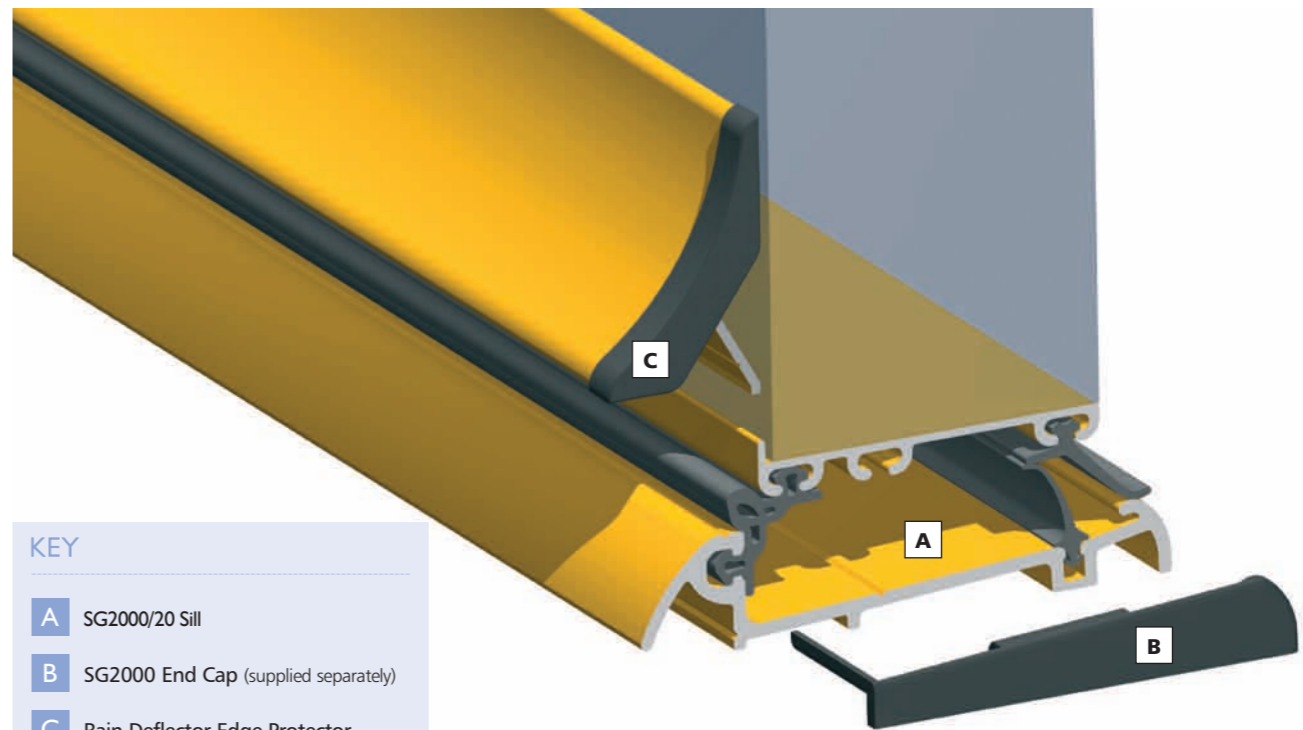
- For use where the under door gap is smaller than 25mm (minimum gap 22mm, optimum gap 23mm).
- Designed to fit onto a subsill or directly onto a threshold.

Available in: Mill Finish Aluminium 
Gold Effect Aluminium 

Sizes: 838mm (2'9"), 914mm (3'0"), 1219mm (4'0")
1524mm (5'0"), 1828mm (6'0"), up to 3053mm (10'0")

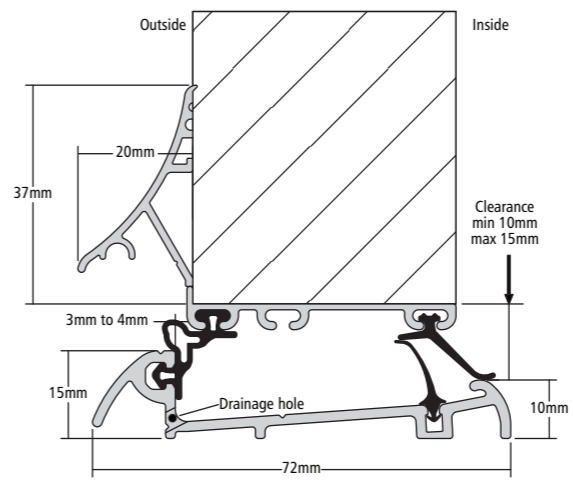
Component products available:-
Trimline Locking Keep 60mm and 150mm (Page 42) 20 CP 077
Trimline Edge Protectors (Page 43) 22 CP 215

Also available as a 3-Part Kit. Please call 01625 613311 for details or visit www.stormguard.co.uk

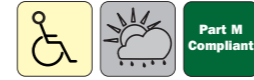


KEY

- A** SG2000/20 Sill
- B** SG2000 End Cap (supplied separately)
- C** Rain Deflector Edge Protector



SG2000/20 (20-25mm)
MOBILITY EASY ACCESS
THRESHOLD DOOR SILL





Available in inward & outward opening versions.
Under door clearance 20-25mm.

Code: 04 CP 332 SG2000/20 Inward Opening 20-25mm
Code: 04 CP 373 SG2000/20 Outward Opening 20-25mm

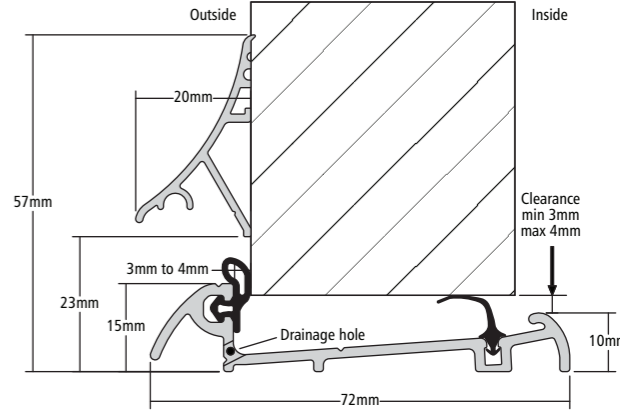
Part 'M' compliant PAS23 twin seal threshold system.

- Exceeds BS 6375 Part 1.
- Concealed fixing.
- Top section supplied with edge protectors to cover sharp edges.
- Locking keeps and plastic shootbolt catcher supplied with double door kits. (see page 42)

Available in: Matt Finish Aluminium 
Matt Gold Effect Aluminium 

Sizes: Available in sizes up to 3053mm

Component products available:-
SG2000 End Caps (Page 43) 22 CP 403
Thermal Cover (Page 43) 22 CP 406



SG2000/13 (13mm)
MOBILITY EASY ACCESS
THRESHOLD DOOR SILL





Available in inward & outward opening versions.
Under door clearance 13mm.

Code: 04 CP 359 SG2000/13 Inward Opening 13mm
Code: 04 CP 374 SG2000/13 Outward Opening 13mm

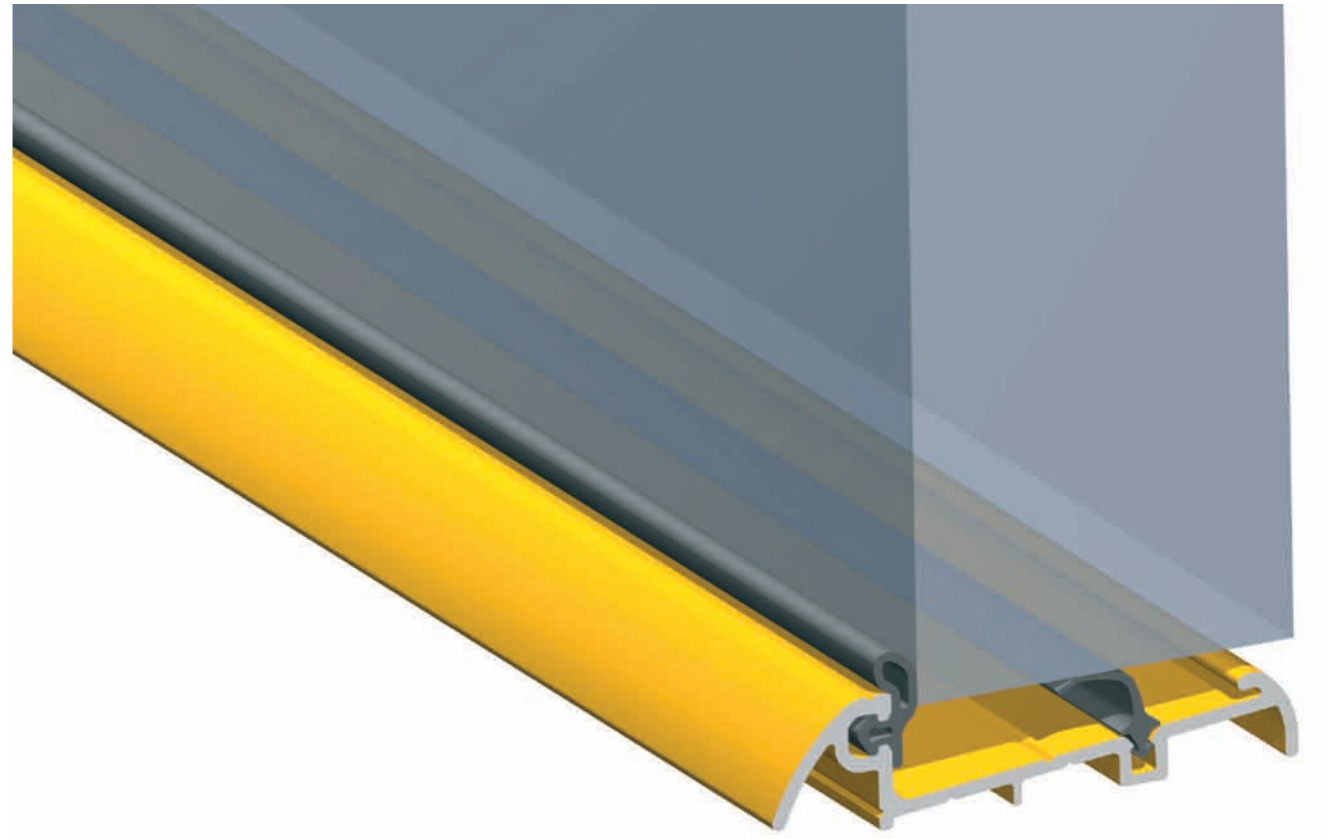
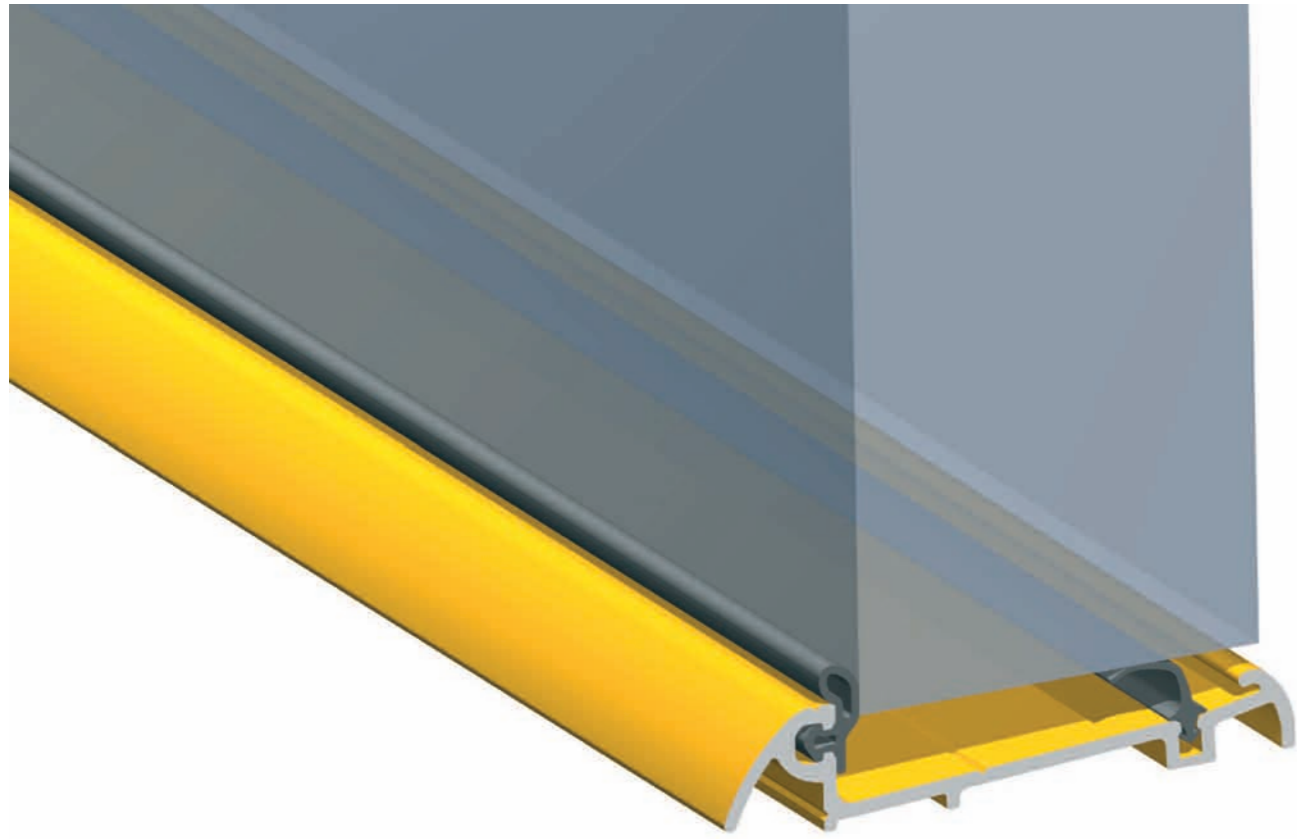
Part 'M' compliant PAS23 twin seal threshold system.

- Exceeds BS 6375 Part 1.
- Concealed fixing.
- Top section supplied with edge protectors to cover sharp edges.
- Locking keeps and plastic shootbolt catcher supplied with double door kits. (see page 42)

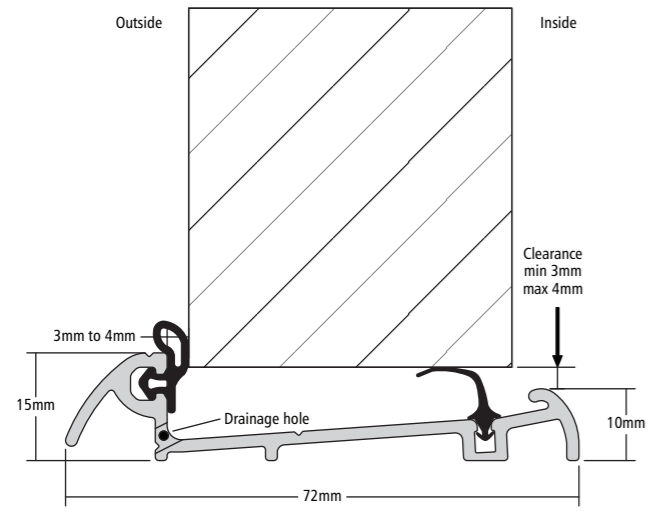
Available in: Matt Finish Aluminium 
Matt Gold Effect Aluminium 

Sizes: Available in sizes up to 3053mm

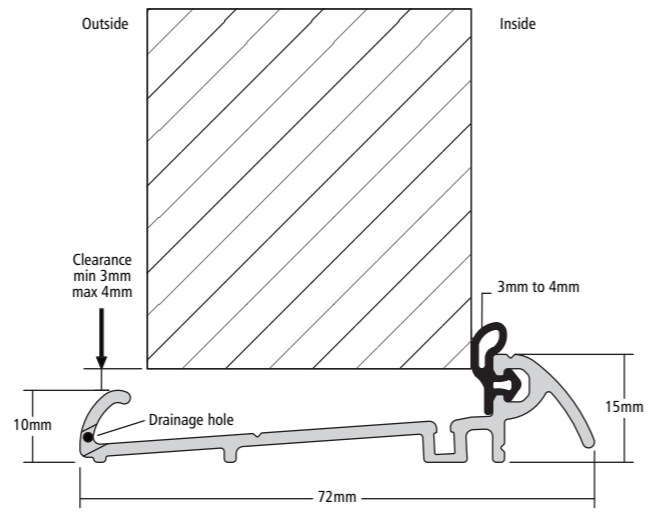
Component products available:-
SG2000 End Caps (Page 43) 22 CP 383
Thermal Cover (Page 43) 22 CP 406



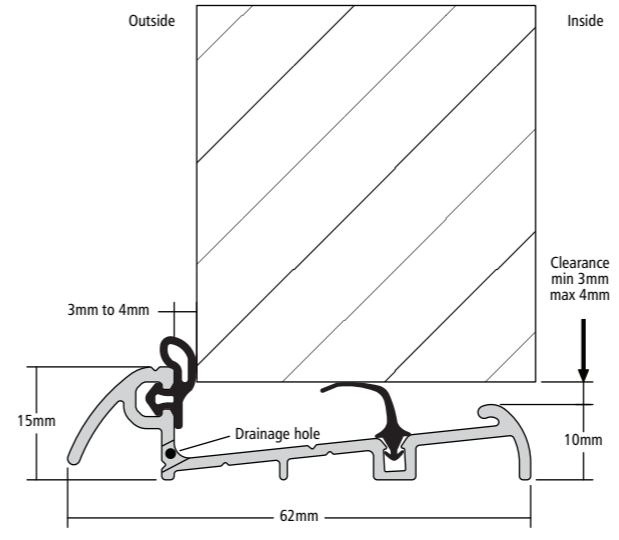
A Inward Opening



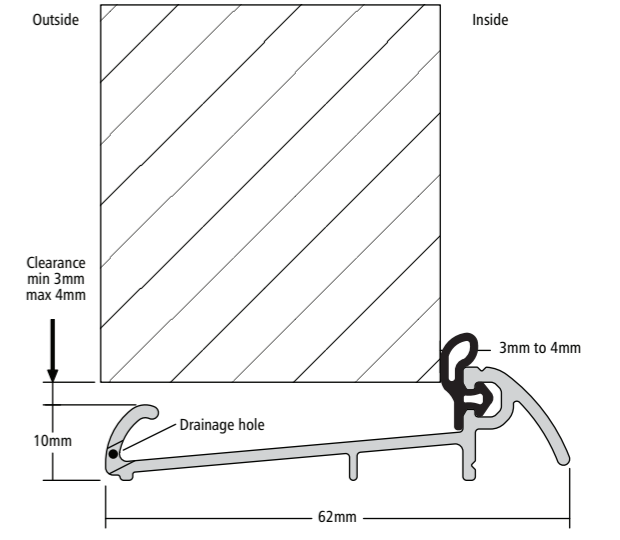
B Outward Opening



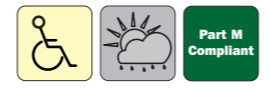
A Inward Opening



B Outward Opening



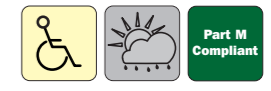
SLIMLINE WIDE
MOBILITY EASY ACCESS THRESHOLD DOOR SILL



Available in inward & outward opening versions.
Code: 04 CP 218 Slimline Wide Inward Opening (A)
Code: 04 CP 295 Slimline Wide Outward Opening (B)
 – For use with PVC, wood, composite and metal frames.
 – Designed to fit onto a subsill, directly onto a threshold or as a fourth side of a frame.
Available in: Matt Finish Aluminium
 Matt Gold Effect Aluminium
Sizes: Available in sizes up to 3048mm (10'0")

Component products available:-
 Slimline Wide Locking Keep 60mm & 150mm (Page 42) 20 CP 308
 Slimline Wide Locking Keep 9mm Slot (Page 42) 20 CP 336
 Slimline Wide Locking Keep 11mm Slot (Page 42) 20 CP 337
 Slimline Wide Locking Keep 15mm Slot (Page 42) 20 CP 338
 Slimline Wide Locking Keep 9mm-11mm Slot (Page 42) 20 CP 352
 Slimline Wide Shootbolt Catcher (Page 42) 20 CP 341
 Slimline Wide End Caps (Page 43) 22 CP 384
 Thermal Cover (Page 43) 22 CP 406

SLIMLINE
MOBILITY EASY ACCESS THRESHOLD DOOR SILL



Available in inward & outward opening versions.
Code: 04 CP 002 Slimline Inward Opening (A)
Code: 04 CP 317 Slimline Outward Opening (B)
 – For use with PVC, wood, composite and metal frames.
 – Designed to fit onto a subsill, directly onto a threshold or as a fourth side of a frame.

Available in: Mill Finish Aluminium
 Matt Gold Effect Aluminium
 Matt Finish Aluminium
Sizes: Available in sizes up to 3048mm (10'0")
Component products available:-
 Slimline Rehaui S706 Connectors (Page 41) 26 CP 376
 Slimline LB Sheerframe 70942 Connectors (Page 41) 26 CP 377
 Thermal Cover (Page 43) 22 CP 406

ECO 3000



MOBILITY EASY ACCESS
THRESHOLD DOOR SILL



Suitable for inward opening doors.

Code: 04 CP 122

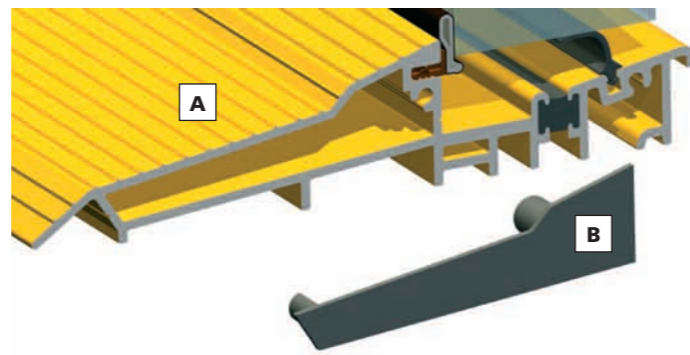
- Designed as a fourth side of a door frame or directly onto a level threshold.
- With optional clip in transition ramp for wood or tile floors.
- Fully tested resin thermal break.

Available in: Matt Aluminium 
Matt Gold Effect Aluminium 

Sizes: Available in sizes up to 3m

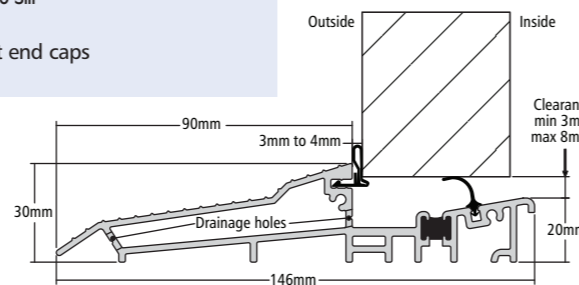
Component products available:-

- Eco Ramp (Page 21) 04 CP 092
- Eco 3000 Locking Keep 60mm & 150mm (Page 42) 20 CP 140
- Eco 3000 Sidelight/Frame Infill (Page 39) 20 CP 174
- Eco 3000 Sidelight/Frame Infill Block (Page 39) 20 CP 175
- Eco 3000 End Caps (Page 43) 22 CP 136



KEY

- A Eco 3000 Sill
- B Push Fit end caps



LEVELTREAD 20



MOBILITY EASY ACCESS
THRESHOLD DOOR SILL



Fits both inward & outward opening doors.

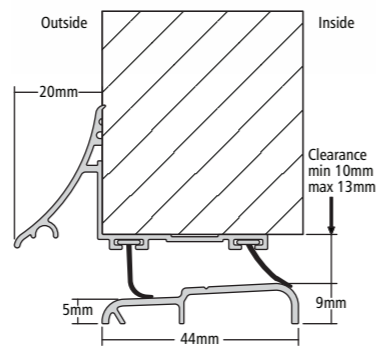
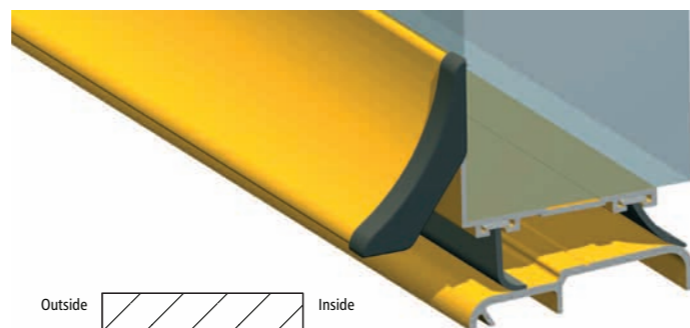
Code: 04 CP 318 Retail Pack 04 SG 318

- 20mm floor to door clearance.
- 2 part threshold and drip bar system.
- Twin seals for improved performance.

Available in: Matt Aluminium 
Matt Gold Effect Aluminium 

Sizes: 1000m (1m), 1828mm (6'0"), up to 3053mm (10'0")

Also available as a 3-Part Kit. Please call 01625 613311 for details or visit www.stormguard.co.uk



LEVELTREAD 25



MOBILITY EASY ACCESS
THRESHOLD DOOR SILL



Fits both inward & outward opening doors.

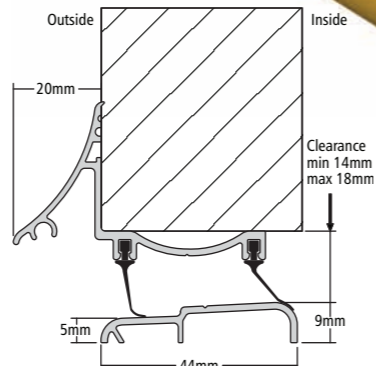
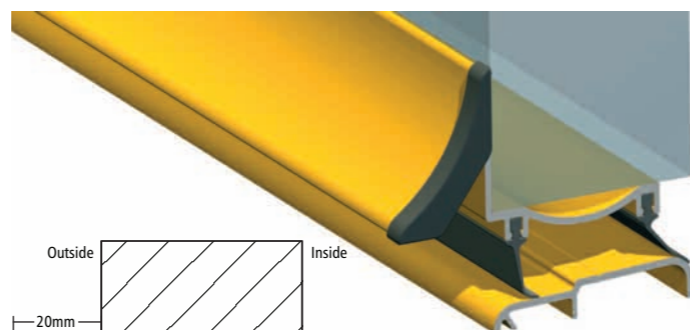
Code: 04 CP 320 Retail Pack 04 SG 320

- 25mm floor to door clearance.
- 2 part threshold and drip bar system.
- Twin seals for improved performance.

Available in: Matt Aluminium 
Matt Gold Effect Aluminium 

Sizes: 1000mm (1m), 1828mm (6'0"), up to 3053mm (10'0")

Also available as a 3-Part Kit. Please call 01625 613311 for details or visit www.stormguard.co.uk



PROLINE AM3EX SUBSILL

MOBILITY EASY ACCESS
THRESHOLD DOOR SILL





Suitable for inward opening doors.

Code: 04 CP 316

NB: Can meet Part 'M' requirements when the overall threshold design is specified correctly. Contact your Stormguard representative for details.

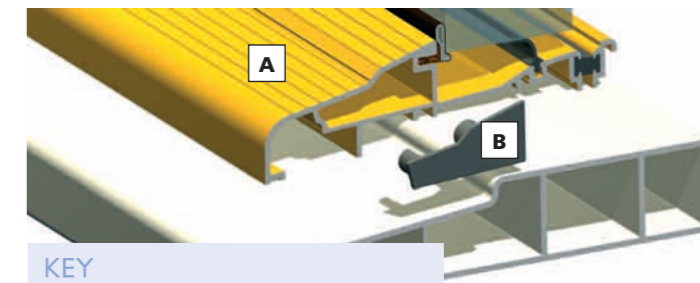
- Designed for use with PVC, wood or composite subsill.
- With optional clip in transition ramp for wood or tile floors.
- Fully tested resin thermal break.
- Subsill version of the Proline AM3 also available.

Available in: Matt Aluminium 
Matt Gold Effect Aluminium 

Sizes: 1m, 2m, 3m

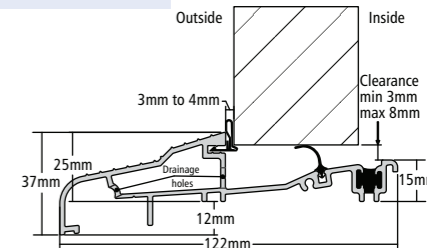
Component products available:-

See AM3EX components (Page 6)



KEY

- A AM3EX Subsill
- B Push Fit end caps



PROLINE AM5EX SUBSILL

MOBILITY EASY ACCESS
THRESHOLD DOOR SILL





Suitable for outward opening doors.

Code: 04 CP 294

NB: Can meet Part 'M' requirements when the overall threshold design is specified correctly. Contact your Stormguard representative for details.

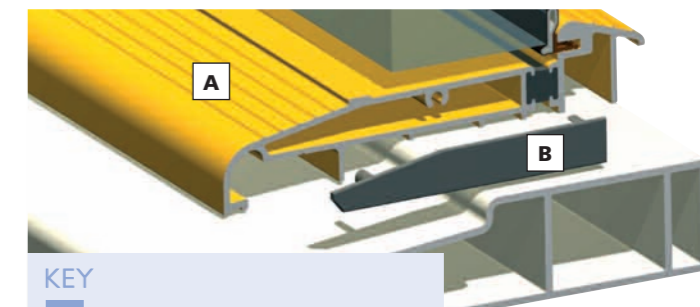
- Designed for use with PVC, wood or composite subsill.
- With optional clip in transition ramp for wood or tile floors.
- Fully tested resin thermal break.

Available in: Matt Aluminium 
Matt Gold Effect Aluminium 

Sizes: 1m, 2m, 3m

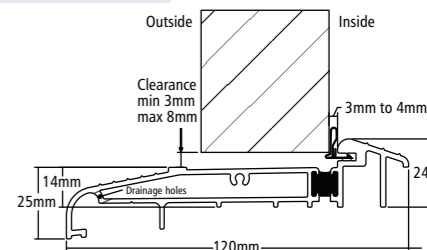
Component products available:-

See AM5EX components (Page 7)



KEY

- A AM5EX Subsill
- B Push Fit end caps



PROLINE AM4



MOBILITY EASY ACCESS
THRESHOLD DOOR SILL



Suitable for outward opening doors.

Code: 04 CP 112

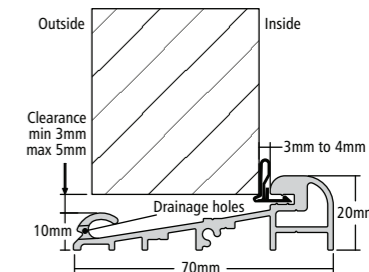
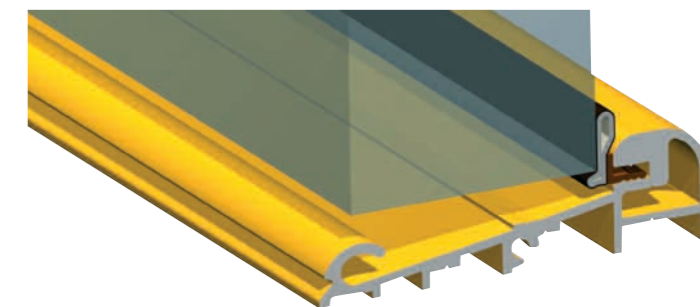
- Designed to be either retro fitted, or as the 4th side of a pre-hung door set.
- Can be used with all frame and door materials.
- Up to 6mm of fitting tolerance.
- Q' Lon front press-in seal for soft compression.

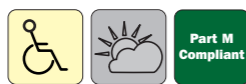
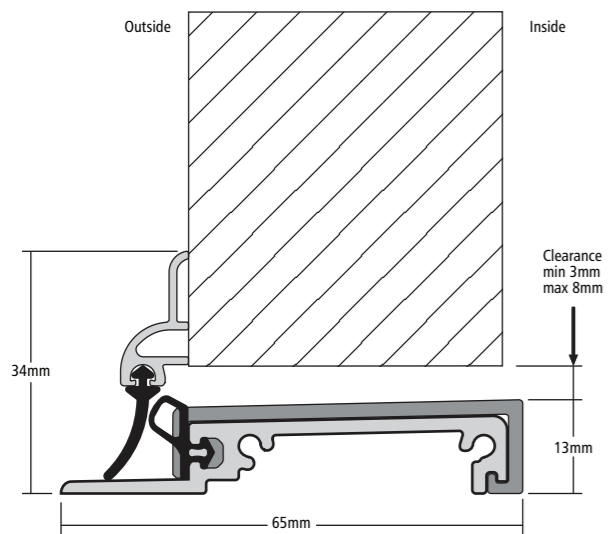
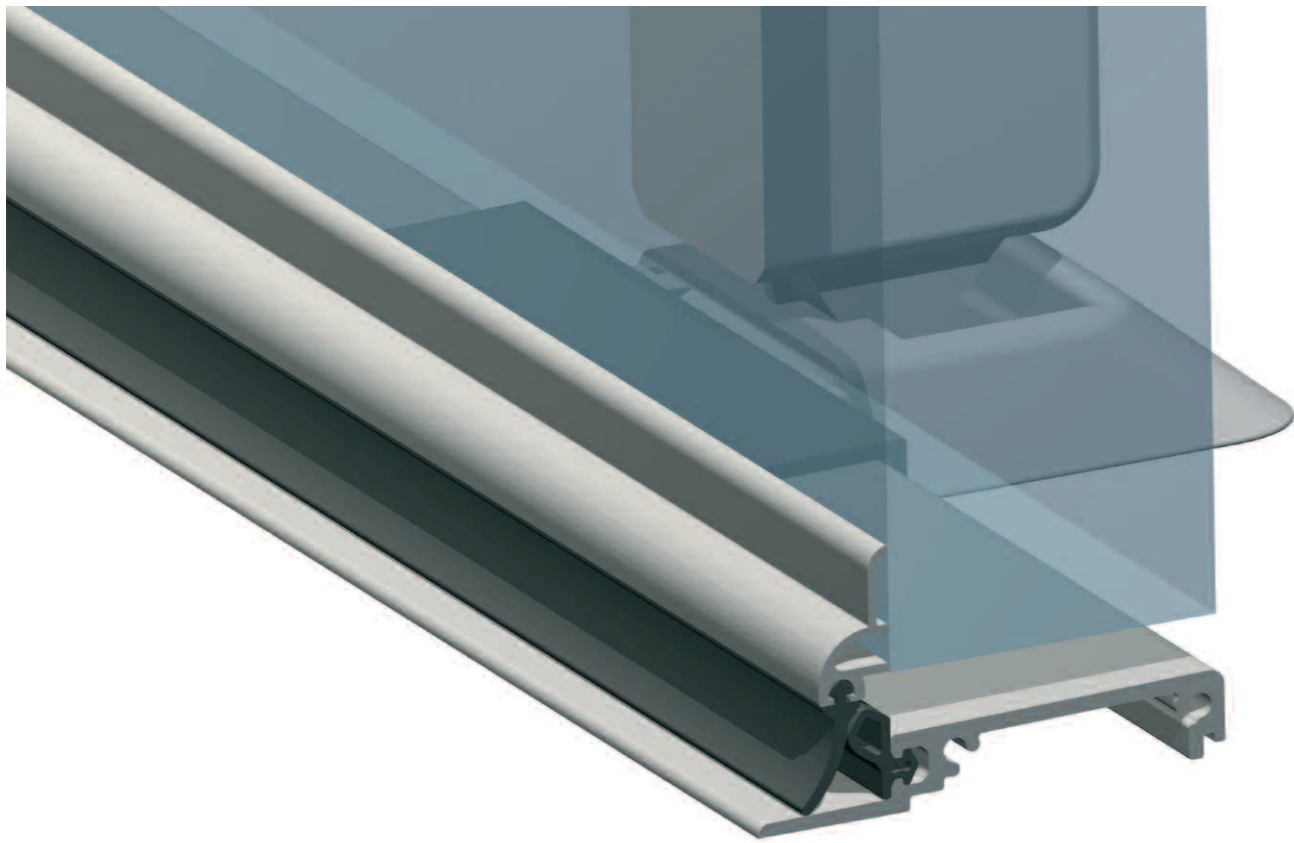
Available in: Matt Aluminium 
Matt Gold Effect Aluminium 

Sizes: Available in sizes up to 3000mm

Component products available:-

AM4 Locking Keep 60mm and 150mm (Page 42) 20 CP 119





PANIC DOOR THRESHOLD (STANDARD)

MOBILITY EASY ACCESS THRESHOLD DOOR SILL

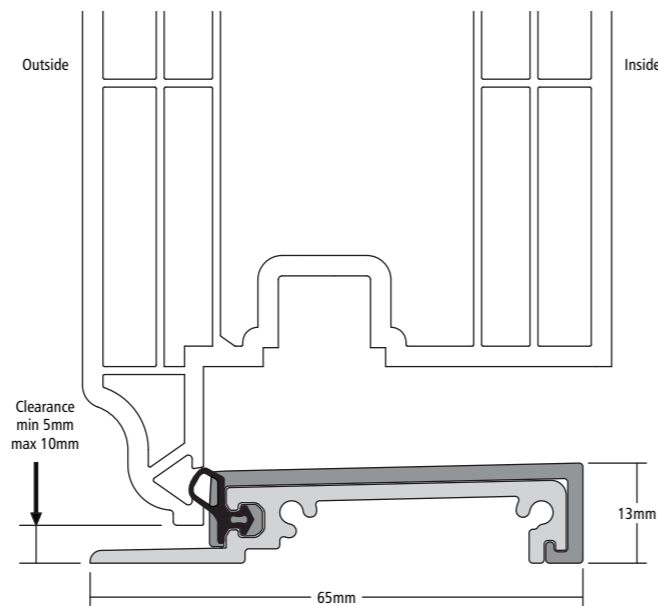
Suitable for outward opening doors.

Code: 04 CP 292

- Designed for use with flush doors of any material.
- Meets all Part 'M' requirements.
- Accommodates all bespoke manufacturers' locking keeps.

Available in: Mill Finish Aluminium
with Black Striker Cover

Sizes: 1000mm, up to 3053mm (10'0")



PANIC DOOR THRESHOLD (REBATED)

MOBILITY EASY ACCESS THRESHOLD DOOR SILL

Suitable for outward opening doors.

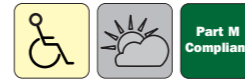
Code: 04 CP 401

- Designed for use with rebated doors of any material (as opposed to flush doors).
- Meets all Part 'M' requirements.
- Accommodates all bespoke manufacturers' locking keeps.

Available in: Mill Finish Aluminium
with Black Striker Cover

Sizes: 1000mm, up to 3053mm (10'0")

SG100



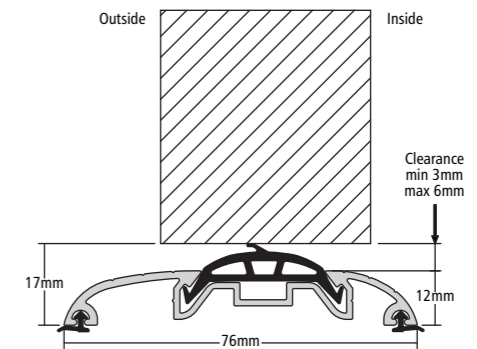
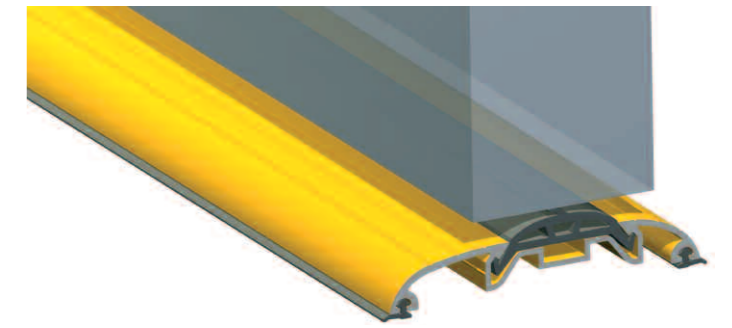
Fits both inward & outward opening doors.

Code: 04 CP 333 Retail Pack 04 SG 333

- Low profile threshold with concealed screw fixing.
- Low ramp ideal for hotels, schools, public buildings etc.
- Central rubber seal.

Available in: Mill Finish Aluminium
Gold Effect Aluminium

Sizes: 838mm (2'9"), 914mm (3'0"), 1000mm
1219mm (4'0"), 1828mm (6'0"), up to 3053mm (10'0")



SG44



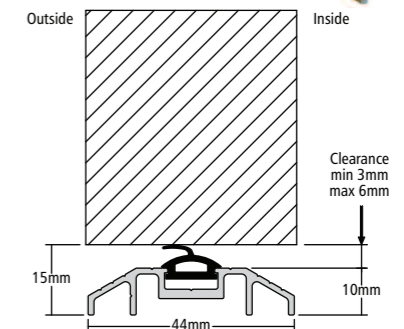
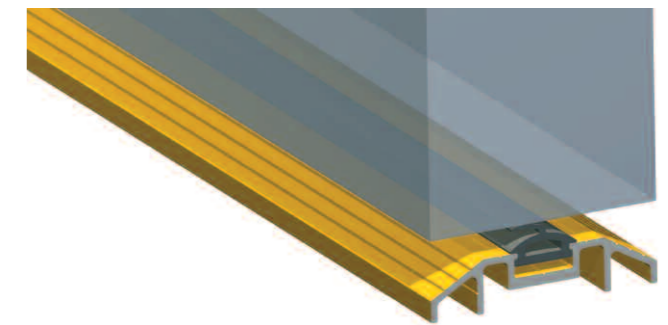
Fits both inward & outward opening doors.

Code: 04 CP 355 Retail Pack 04 SG 355

- Easy fit, ultra low threshold.
- Central rubber seal.

Available in: Mill Finish Aluminium
Gold Effect Aluminium

Sizes: 838mm (2'9"), 914mm (3'0"), 1000mm
1219mm (4'0"), 1828mm (6'0"), up to 3053mm (10'0")



SG50



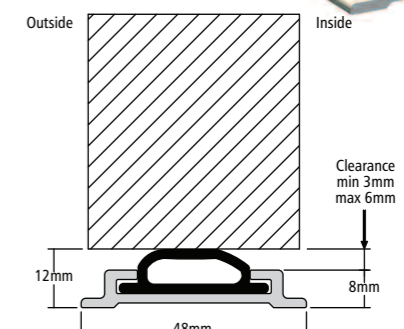
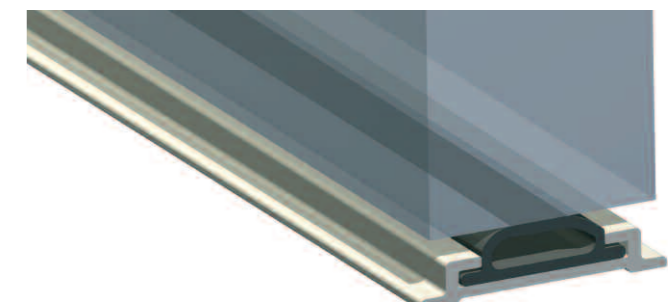
Fits both inward & outward opening doors.

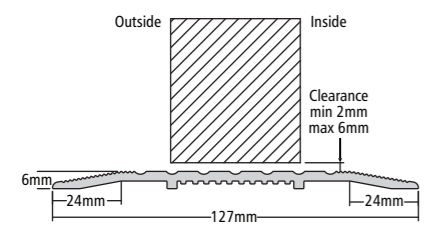
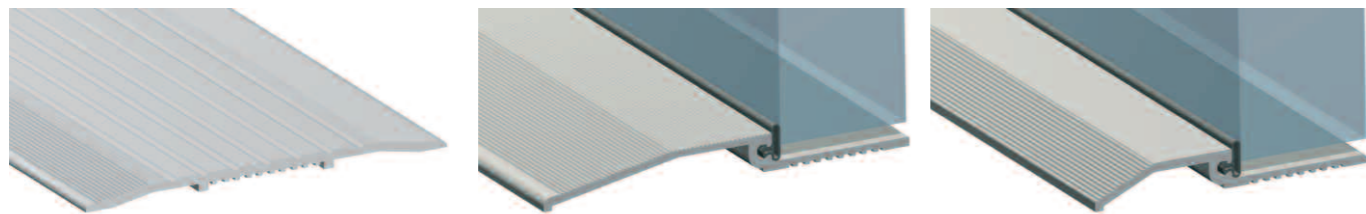
Code: 04 CP 128

- For all internal and weather protected external doors requiring a low threshold level.

Available in: Mill Finish Aluminium
Gold Effect Aluminium

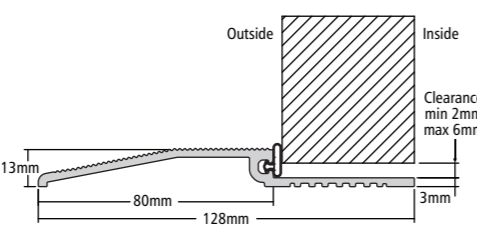
Sizes: 838mm (2'9"), 914mm (3'0"), 1000mm
1219mm (4'0"), 1828mm (6'0"), up to 3053mm (10'0")





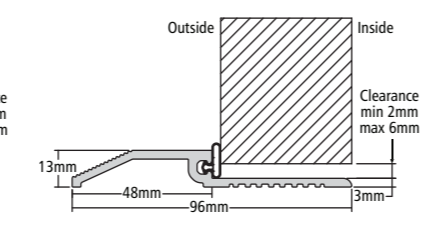
COMMERCIAL DOOR THRESHOLD PLATE
INDUSTRIAL DOOR PLATE

For all door and frame types.
Code: 04 CP 193
Available in: Mill Finish Aluminium
Sizes: 1m, 2m, 3m



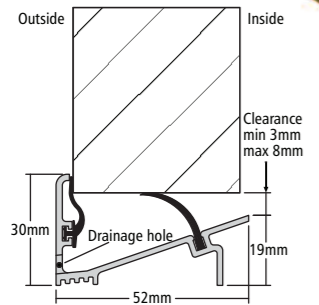
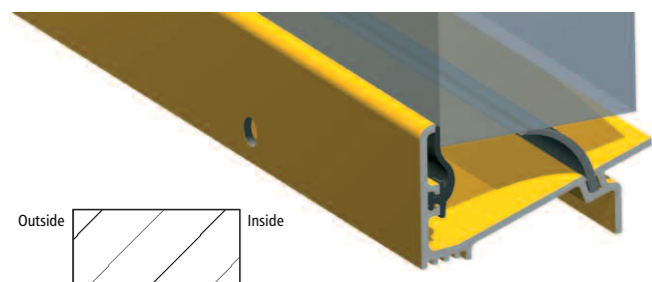
COMMERCIAL DOOR THRESHOLD 128mm
INDUSTRIAL DOOR THRESHOLD

For all door and frame types.
Code: 04 CP 192
Available in: Mill Finish Aluminium
Sizes: 1m, 2m, 3m



COMMERCIAL DOOR THRESHOLD 96mm
INDUSTRIAL DOOR THRESHOLD

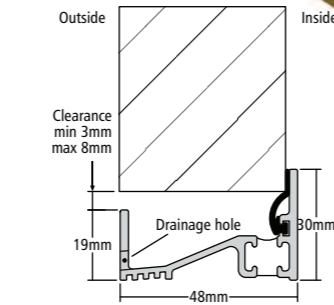
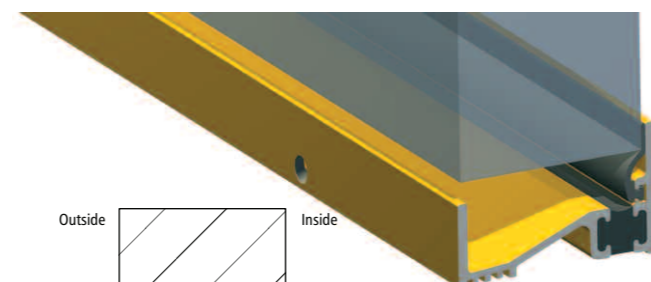
For all door and frame types.
Code: 04 CP 382
Available in: Matt Aluminium
Sizes: 1m, 2m, 3m



BRYDALE



Suitable for inward opening doors.
Code: 04 CP 003 Retail Pack 04 SG 003
– Double protection against rain and draught.
– Nitrile draught proof seal on front edge, and patented centrally positioned brush strip.
– Seals against rough and uneven door bottoms.
Available in: Mill Finish Aluminium
Gold Effect Aluminium
Sizes: Available in sizes up to 3048mm (10'0")
Component products available:–
Brydale Locking Keep 60mm and 150mm (Page 42) 20 CP 078



OUTWARD OPENING THERMAL BREAK

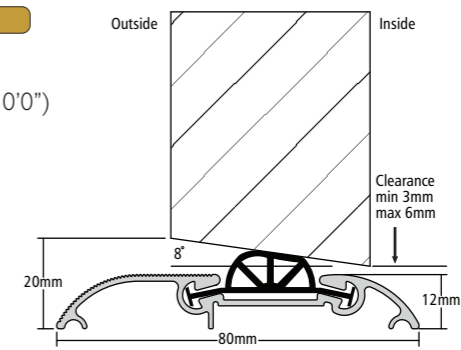
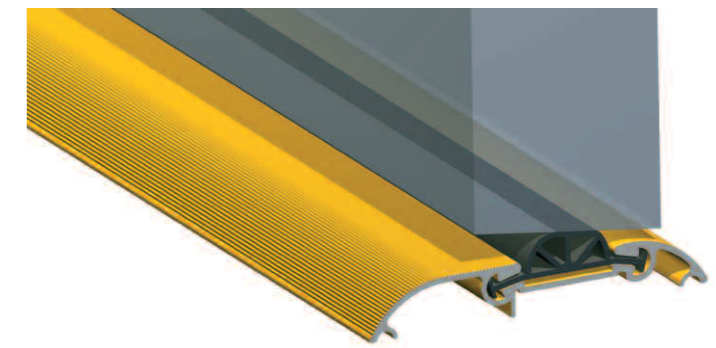


Suitable for outward opening doors requiring high rating thermal values.
Code: 04 CP 049
– Excellent performance under severe weather conditions.
– Suitable for double doors, ideal for patio doors and french windows.
– Non Thermal break version also available. 04 CP 006
Available in: Mill Finish Aluminium
Gold Effect Aluminium
Sizes: Available in sizes up to 3048mm (10'0")
Component products available:–
Outward Opening Locking Keep 60mm and 150mm (Page 42) 20 CP 076

CDX



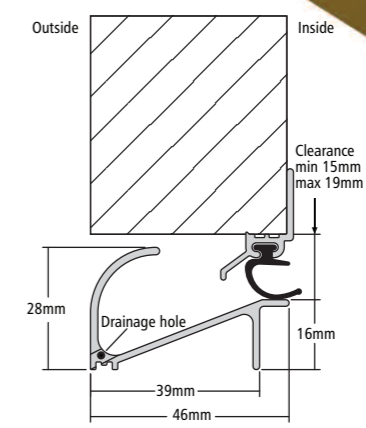
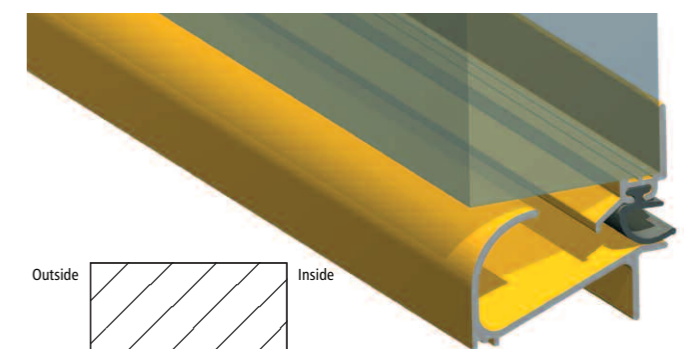
For all inward & outward opening doors.
Code: 04 CP 005 Retail Pack 04 SG 005
– Easy access for light wheeled traffic.
– Low profile ramp ideal for hotels, schools, public buildings etc.
Available in: Mill Finish Aluminium
Gold Effect Aluminium
Sizes: 838mm (2'9"), 914mm (3'0"), 1219mm (4'0")
1524mm (5'0"), 1828mm (6'0"), up to 3053mm (10'0")



HI BAR



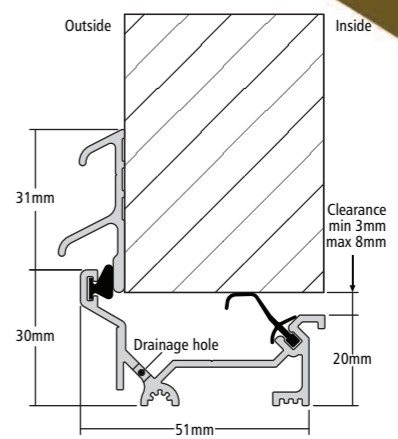
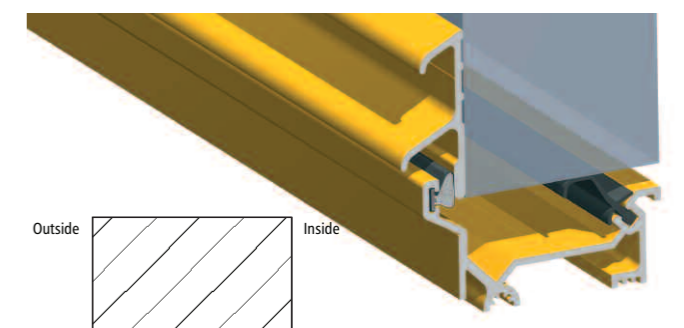
Suitable for inward opening hinged doors.
Code: 04 CP 319 Retail Pack 04 SG 319
– High performance threshold system.
– Quick and easy to fit. No notching required - fits under the door and between door jambs, inside the door stop.
Available in: Mill Finish Aluminium
Gold Effect Aluminium
Sizes: Available in sizes up to 3050mm (10'0")

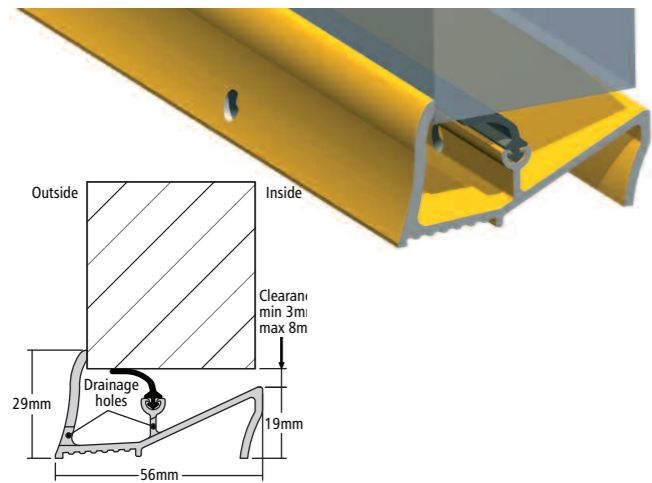


DRY-X WINTERBAR (2 PART)



Suitable for inward opening doors.
Code: 04 CP 358 Retail Pack 04 SG 358
– High performance threshold system.
– 'Q' Lon front seal and Rio centre seal.
Available in: Mill Finish Aluminium
Gold Effect Aluminium
Sizes: 844mm, 920mm, 1000mm, 1219mm (4'0"), up to 3053mm (10'0")





LOWLINE



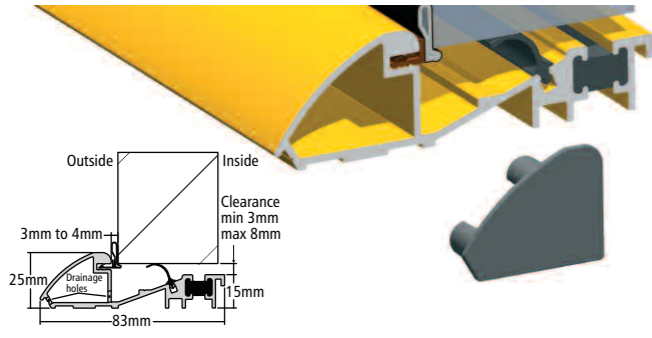
Suitable for inward opening doors.
Code: 04 CP 001 Retail Pack 04 SG 001

- Excellent performance under severe weather conditions.
- Central nitrile rubber seal prevents doors jamming.

Available in: Mill Finish Aluminium
 Gold Effect Aluminium

Sizes: 838mm (2'9"), 914mm (3'0"), 1219mm (4'0")
 1828mm (6'0"), up to 3053mm (10'0")

Component products available:-
 Lowline Locking Keep 60mm & 150mm (Page 42) 20 CP 074



MASTERGUARD 51



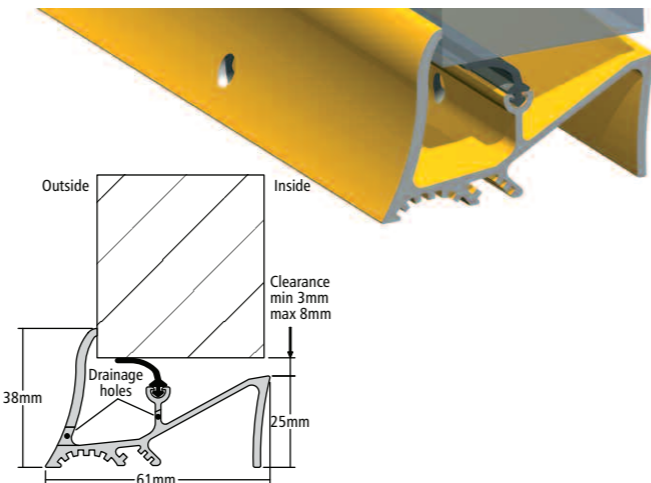
Suitable for inward opening doors.
Code: 04 CP 161

- Fully tested resin thermal break.
- The solution for door set manufacturers seeking to produce door sets with high performance weather capability.
- With optional clip in transition ramp for wood or tile floors, and spacer for use as a 'packer' underneath the sill.

Available in: Matt Finish Aluminium
 Matt Gold Effect Aluminium

Sizes: Available in sizes up to 3m

Component products available:-
 Proline Quadrant Ramp (Page 21) 04 CP 042
 Proline Low Ramp (Page 21) 04 CP 224



SUPERSEAL

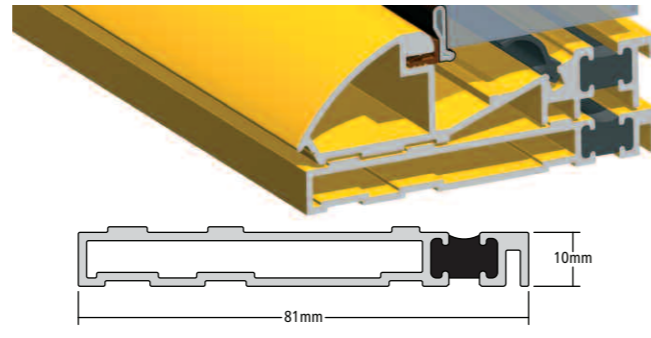


Suitable for inward opening doors.
Code: 04 CP 011 Retail Pack 04 SG 011

- Based on our original 'Macclesfield Sill', one of the most effective threshold sills ever produced.
- Maximum performance under severe weather conditions.
- Central nitrile rubber seal, prevents door jamming.

Available in: Mill Finish Aluminium
 Gold Effect Aluminium

Sizes: 838mm (2'9"), 914mm (3'0"), 1000mm
 1219mm (4'0"), 1828mm (6'0"), up to 3053mm (10'0")



MASTERGUARD 51 SPACER

Code: 04 CP 162

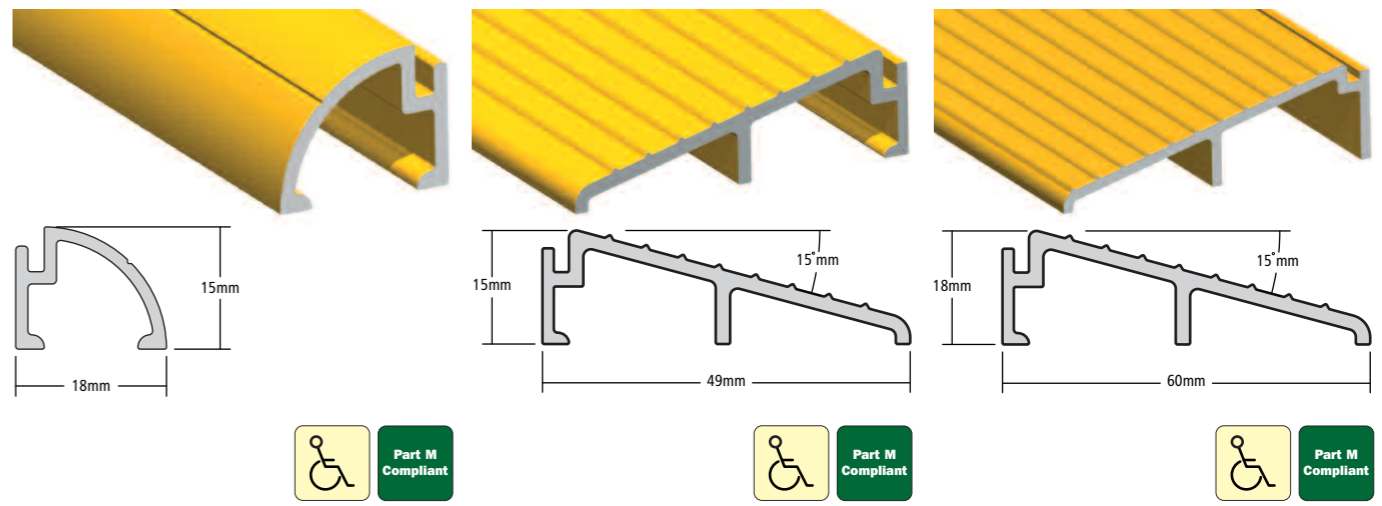
- Fully tested resin thermal break.
- The solution for door set manufacturers seeking to produce door sets with high performance weather capability.
- With optional clip in transition ramp for wood or tile floors, and spacer for use as a 'packer' underneath the sill.

Available in: Matt Finish Aluminium
 Matt Gold Effect Aluminium

Sizes: Available in sizes up to 3m

Component products available:-
 Proline Quadrant Ramp (Page 21) 04 CP 042
 Proline Low Ramp (Page 21) 04 CP 224

Part 'M' optional transition ramps, for wood and tiled floors, to ensure easy access.



PROLINE QUADRANT RAMP

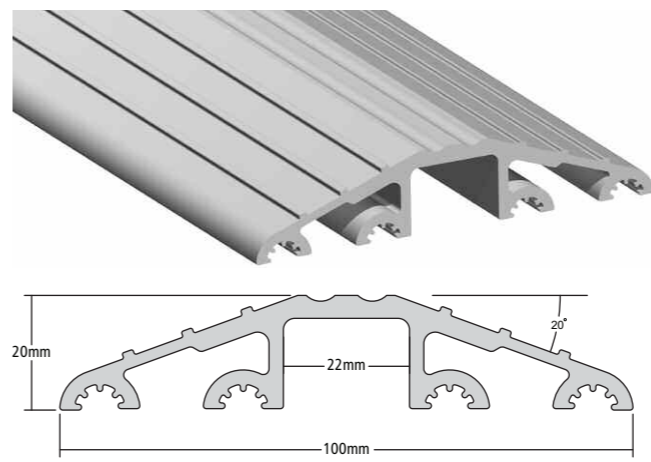
Code: 04 CP 042
Available in: Matt Finish Aluminium
 Matt Gold Effect Aluminium
Sizes: Available in sizes up to 3m

PROLINE LOW RAMP

Code: 04 CP 224
Available in: Matt Finish Aluminium
 Matt Gold Effect Aluminium
Sizes: Available in sizes up to 3m

ECO RAMP

Code: 04 CP 092
Available in: Matt Finish Aluminium
 Matt Gold Effect Aluminium
Sizes: Available in sizes up to 3m



INDUSTRIAL RAISED RAMP



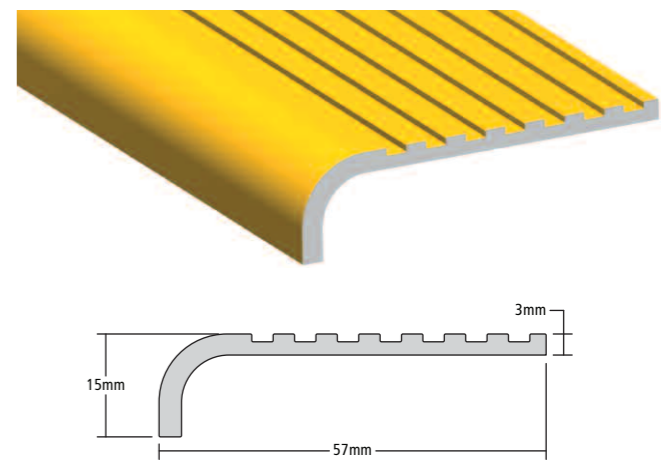
For both inward and outward opening doors.
Code: 04 CP 053

- Heavy duty aluminium "Industrial" product, ideal for use on garages and warehouses, forms weatherproof seal when used in conjunction with Garage Door Seal
- Will take 2000kg loading.
- Suitable for running cable underneath.

Available in: Mill Finish Aluminium

Sizes: 3m

Component products available:-
 Industrial Garage Door Seal (Page 33) 03 CP 055



TREADPLATE



Code: 04 CP 394

- Ideal for stair and step edgings, to help prevent slipping and wear.

Available in: Mill Finish Aluminium
 Matt Gold Effect Aluminium

Sizes: Available in sizes up to 1m

Product	Page No.	Under Door Gap (mm)	Inward Opening	Outward Opening	Thermal Broken	Part 'M' Compliant	Moderate Weather	Harsh Weather	Severe Weather	FINISH			
										Mill Finish Aluminium	Gold Effect Aluminium	Matte Gold Effect Alum	Matte Aluminium
Proline AM3EX	06	18-23	•		•	•			•		•	•	
Proline AM5EX	07	17-22		•	•	•			•		•	•	
Proline AM3	08	18-23	•		•	•			•		•	•	
Proline AM5JX	09	15-20		•	•	•			•		•	•	
Trimline	09	25-29	•	•		•		•		•	•		
Trimline Rio	10	25-29	•	•		•		•		•	•		
Trimline 20	10	22-25	•	•		•		•		•	•		
SG2000/20-25	11	20-25	•			•		•			•	•	
SG2000/20-25 Outward Opening	11	20-25		•		•		•			•	•	
SG2000/13	11	13-14	•			•		•			•	•	
SG2000/13 Outward Opening	11	13-14		•		•		•			•	•	
Slimline Wide	12	13-14	•			•		•			•	•	
Slimline Wide Outward Opening	12	13-14		•		•		•			•	•	
Slimline	13	13-14	•			•		•		•	•		
Slimline Outward Opening	13	13-14		•		•		•		•	•		
ECO 3000	14	23-28	•		•	•		•			•	•	
Leveltread 20	14	19-22	•			•	•			•	•		
Leveltread 25	14	23-27	•			•	•			•	•		
Proline AM3EX Subsill	15	18-23	•		•			•			•	•	
Proline AM5EX Subsill	15	17-22		•	•			•			•	•	
Proline AM4	15	13-15		•		•		•			•	•	
Panic Door Threshold	16	16-21		•		•	•			•			
SG100	17	15-18	•	•		•	•			•	•		
SG44	17	13-16	•	•		•	•			•	•		
SG50	17	11-14	•	•		•	•			•	•		
Commercial Door Threshold Plate	18	8-12	•	•		•	•			•			
Commercial Door Threshold 128mm	18	5-9	•	•		•	•			•			
Commercial Door Threshold 96mm	18	5-9	•	•		•	•			•			
Brydale	18	22-27	•					•		•	•		
Outward Opening Thermal Break	18	22-27		•	•			•		•	•		
CDX	19	15-18	•	•			•			•	•		
Hi Bar	19	25-28	•					•		•	•		
Dry-X Winterbar	19	23-28	•					•		•	•		
Lowline	20	22-27	•					•		•	•		
Superseal	20	28-35	•					•		•	•		
Masterguard 51	20	18-23	•		•	•		•			•	•	

Packaging	Code	LENGTHS							
		838mm (2'9")	914mm (3'0")	1219mm (4'0")	1524mm (5'0")	1828mm (6'0")	Up to 3000mm (3m)	Up to 3050mm (10'0")	
Contract	04 CP 219							•	
Contract	04 CP 220							•	
Contract	04 CP 321							•	
Contract	04 CP 321							•	
Contract	04 CP 004								•
Retail	04 SG 004	•	•	•	•	•			
Contract	04 CP 100								•
Contract	04 CP 127								•
Contract	04 CP 332								•
Retail	04 SG 332	•	•	•	•	•			
Contract	04 CP 373								•
Retail	04 SG 373	•	•	•	•	•			
Contract	04 CP 359								•
Retail	04 SG 359	•	•	•	•	•			
Contract	04 CP 374								•
Retail	04 SG 374	•	•	•	•	•			
Contract	04 CP 218								•
Contract	04 CP 295								•
Contract	04 CP 002								•
Contract	04 CP 317								•
Contract	04 CP 122							•	
Contract	04 CP 318								•
Retail	04 SG 318	•	•	•	•	•			
Contract	04 CP 320								•
Retail	04 SG 320	•	•	•	•	•			
Contract	04 CP 316							•	
Contract	04 CP 294							•	
Contract	04 CP 112							•	
Standard	04 CP 292								•
Rebated	04 CP 401								•
Contract	04 CP 333								•
Retail	04 SG 333	•	•	•	•	•			
Contract	04 CP 355								•
Retail	04 SG 355	•	•	•	•	•			
Contract	04 CP 128								•
Contract	04 CP 193							•	
Contract	04 CP 192							•	
Contract	04 CP 382							•	
Contract	04 CP 003								•
Contract	04 CP 049								•
Contract	04 CP 005								•
Retail	04 SG 005	•	•	•	•	•			
Contract	04 CP 319								•
Retail	04 SG 319	•	•	•	•	•			
Contract	04 CP 358								•
Retail	04 SG 358	•	•	•	•	•			
Contract	04 CP 001								•
Retail	04 SG 001	•	•	•	•	•			
Contract	04 CP 011								•
Retail	04 SG 011	•	•	•	•	•			
Contract	04 CP 161							•	

32mm RAIN DEFLECTOR



Suitable for inward and outward opening doors.

Code: 07 CP 013 Retail Pack 04 SG 013

- Designed to deflect water away from the door bottom, either in conjunction with a threshold sill, or to replace a weatherboard.
- Quick and easy to fit. Pre-drilled fixing holes, fixings provided.

Available in: Mill Finish Aluminium
Gold Effect Aluminium
White Aluminium
Black Aluminium
Matt Finish Aluminium

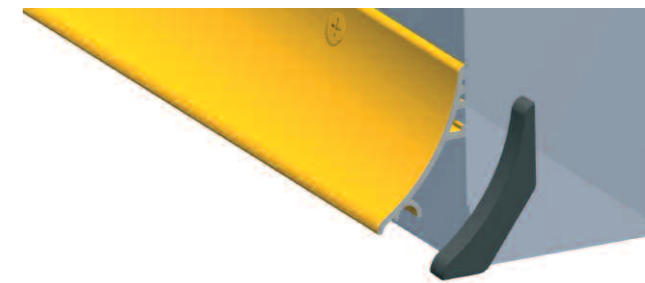
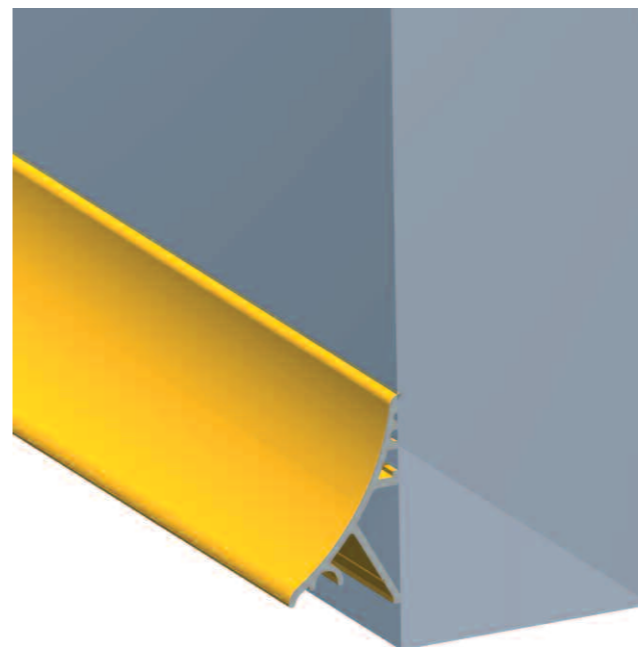
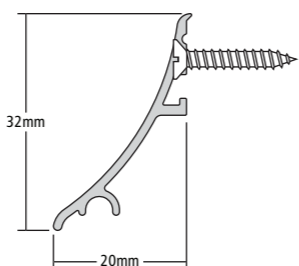
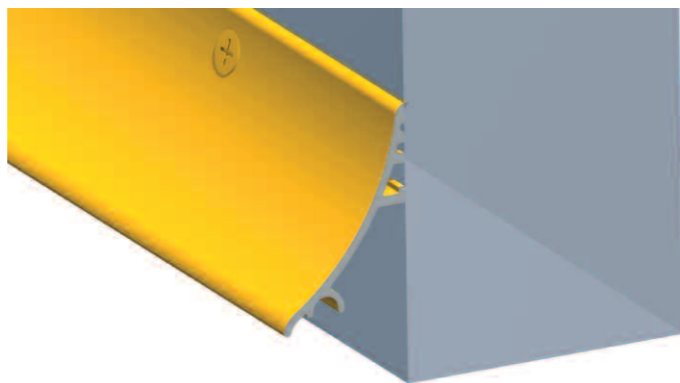


Sizes: 838mm (2'9"), 914mm (3'0"), 1219mm (4'0"), 1524mm (5'0"), 1828mm (6'0"), up to 3050mm (10'0")

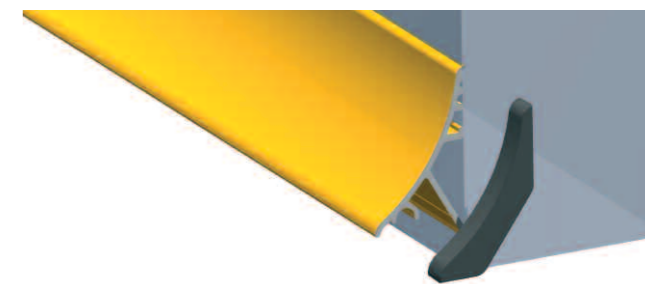
Component products available:-

Rain Deflector Edge Protectors

(Page 25)



22 CP 215



22 CP 215

63mm RAIN DEFLECTOR



Suitable for inward and outward opening doors.

Code: 07 CP 014 Retail Pack 04 SG 014

- Designed to deflect water away from the door bottom, either in conjunction with a threshold sill, or to replace a weatherboard.
- Quick and easy to fit. Pre-drilled fixing holes, fixings provided.

Available in: Mill Finish Aluminium
Gold Effect Aluminium

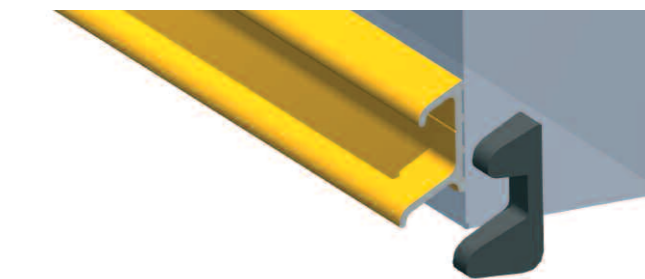
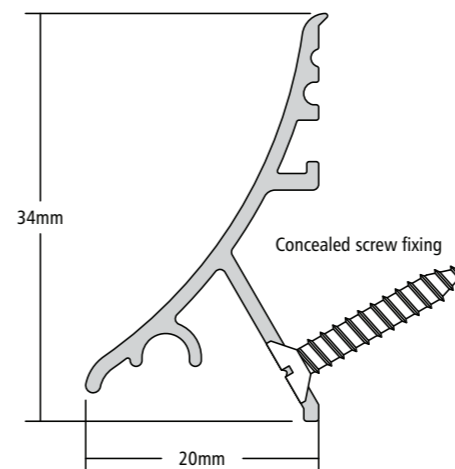
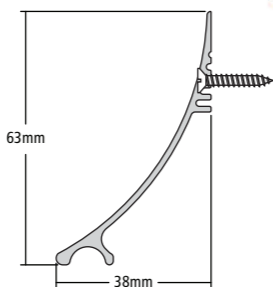
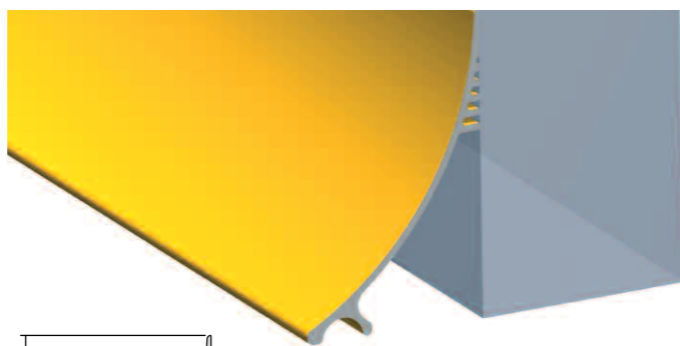


Sizes: 838mm (2'9"), 914mm (3'0"), 1219mm (4'0"), 1524mm (5'0"), 1828mm (6'0"), up to 3053mm (10'0")

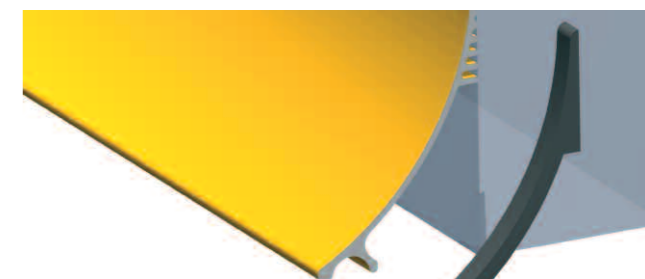
Component products available:-

Rain Deflector Edge Protectors

(Page 25)



22 CP 395



22 CP 396

ICD CONCEALED FIXING RAIN DEFLECTOR



Suitable for both inward and outward opening doors.

Code: 07 CP 198

- Pre-drilled fixing concealed underneath the deflector face for a neat and tidy finish.

Available in: Mill Finish Aluminium
Gold Effect Aluminium
White Aluminium
Matt Finish Aluminium



Hardex Polished Chrome Effect
Hardex Polished Gold Effect

Sizes: Available in sizes up to 3050mm (10'0")

Component products available:-

Rain Deflector Edge Protectors

(Page 25)

EDGE PROTECTORS

Suitable for inward and outward opening doors.

Code: 22 CP 215 Straight Edge Protectors (pair) for 32mm Rain Deflectors and ICD Rain Deflectors. (20 CP 215 edge protectors are also suitable for use with the Trimline Threshold page 9)

Code: 22 CP 243 Angled Edge Protectors (pair) for 32mm Rain Deflectors and ICD Rain Deflectors

Code: 22 CP 395 Angled Edge Protectors (pair) for Double Fin Rain Deflectors

Code: 22 CP 396 Straight Edge Protectors (pair) for 63mm Rain Deflector

Available in: Black PVC



DOUBLE FIN RAIN DEFLECTOR



Suitable for inward and outward opening doors.

Code: 07 CP 163

- Can be used in conjunction with all our threshold types.

Available in: Mill Finish Aluminium
Gold Effect Aluminium

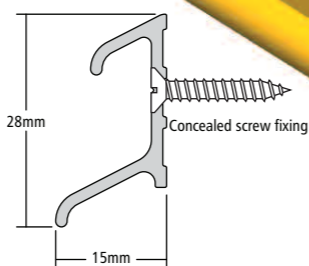
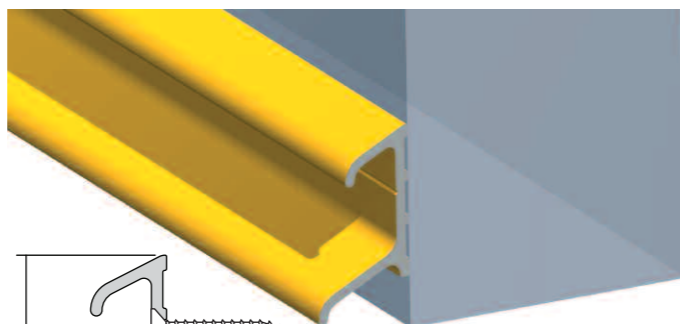


Sizes: 838mm (2'9"), 914mm (3'0"), up to 3053mm (10'0")

Component products available:-

Rain Deflector Edge Protectors

(Page 25)





DOOR SEALS

Stormguard door and window seals are specifically designed to prevent heat loss. Strong brushes, 'Q' Lon and Nitrile rubbers are fitted to ensure tight seals under severe weather conditions, and revolutionary new foams provide excellent draught proofing for variable gap sizes. Our unique product designs make fitting quick and easy, resulting in a quality finish.

AROUND DOOR & CENTRE DOOR SEALS

XP ADS	28
Heavy Duty ADS	28
Standard ADS	28
Slikseal	28
Bryseal	28

AROUND DOOR & WINDOW SEALS

Groovesel	28
Swingseal	29
Centre Door Seal	29
Sashseal and Centreseal	29
Double Door Seal	29
Joinery Seal	29
PVCu Universal Seal	29
EPDM	30
Ultraseal	30
Extra Thick Rubber Foam	30
V Seal	30
Silicone Self-Adhesive Seal	30
Self-Adhesive Brush Pile	30

BOTTOM OF THE DOOR SEALS

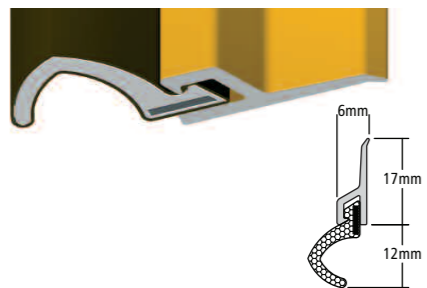
Brush Bottom Door Seal	31
Rubber Bottom Door Seal	31
Wood Brush Bottom Door Seal	31
Concealed Fixing Brush Door Seal	32
Brydale X	32
Automatic Threshold AT3	32
Brush Garage Door Seal	
Heavy Duty 1"	33
Heavy Duty 2"	33
Standard 2" Brush	33
Rubber Garage Door Seal	
Heavy Duty 1"	33
Heavy Duty 2"	33
Industrial Rubber Door Seal	33

LETTERBOXES

Weatherproof Sleeved Letterboxes	34
Internal Letterplate Draught Excluders	34

ACOUSTIC & FIRE DEALS

Eurogroove Drop Down Seal	35
Unifire Intumescent Drop Down Seal	35
Acoustic Frame Seal	35
Intumescent Fire/Smoke Seals	35



XP ADS



Suitable for inward opening doors.

Code: 01 CP 025 Retail Pack 01 SG 025

- Extra protection against rain and draught intrusion around the door (BS7386 1990 Class I).
- Hard wearing 'Q' Lon seal has a lifetime in excess of 10 years.

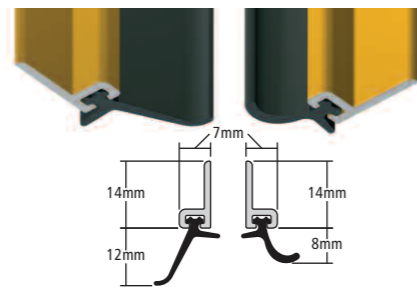
Available in: Mill Finish Aluminium Gold Effect Aluminium

Other colours available by special order - contact us for details.

Door kits comprising:

2 x 2100mm and 1 x 1050mm

Also available in special kit sizes for inward opening double doors.



HEAVY DUTY ADS



Suitable for inward opening doors.

Code: 01 CP 023 Retail Pack 01 SG 023

- The best protection against rain and draught intrusion around the door. Heavy duty aluminium construction and nitrile draught proof strips.
- Can be used as a 'cold smoke seal'.

Available in: Mill Finish Aluminium Gold Effect Aluminium

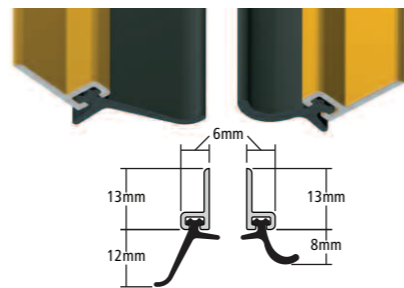
White Powder Coated Aluminium

Other colours available by special order - contact us for details.

Door kits comprising:

2 x 2057mm (6'9") and 1 x 914mm (3'0")
2 x 2134mm (7'0") and 1 x 914mm (3'0")

Also available in special kit sizes for inward opening double doors.



STANDARD ADS



Suitable for inward opening doors.

Code: 01 CP 024 Retail Pack 01 SG 024

- Excellent protection against rain and draught intrusion around the door. Nitrile draught proof strips bridge the gap between door and frame. Wind pressure increases the efficiency of the system.
- Can be used as a 'cold smoke seal'.

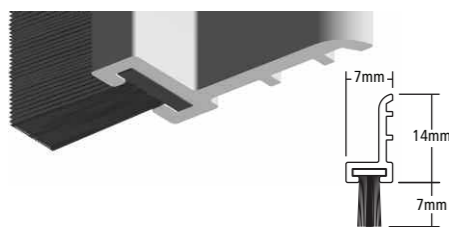
Available in: Mill Finish Aluminium Gold Effect Aluminium

Other colours available by special order - contact us for details.

Door kits comprising:

2 x 2057mm (6'9") and 1 x 914mm (3'0")
2 x 2134mm (7'0") and 1 x 914mm (3'0")

Also available in special kit sizes for inward opening double doors.



SLIKSEAL



Suitable for inward opening doors and all windows.

Code: 01 CP 026 Retail Pack 01 SG 026

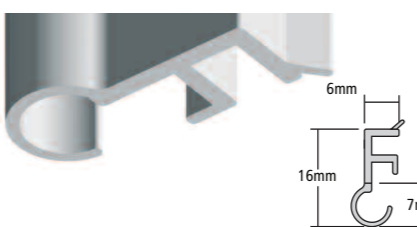
- Lightweight draught excluder, with 5mm Black polypropylene brush in PVC housing.
- Can be used as a 'cold smoke seal'.
- Also ideal for sash windows.

Available in: White Brown

Door kits comprising:

2 x 2057mm (6'9") and 1 x 914mm (3'0")
Plus loose lengths at 2057mm (6'9") -
Code: 01 CP 067

Also available in special kit sizes for inward opening double doors.



BRYSEAL



Suitable for inward opening doors and all windows.

Code: 01 CP 030 Retail Pack 01 SG 030

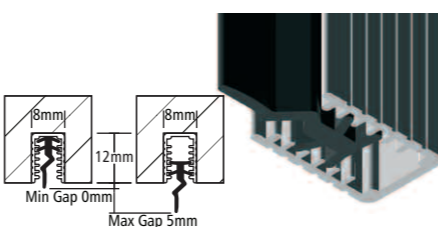
- Light and easy to use draught strip with one-piece PVC 3/4" 'C' section.
- Paintable, wipe clean surface.

Available in: White Brown

Door kits comprising:

2 x 2057mm (6'9") and 1 x 914mm (3'0")

Also available in special kit sizes for inward opening double doors



GROOVESEAL

Code: 01 CP 346 Single Length

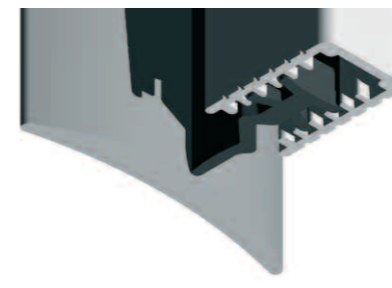
Code: 01 CP 347 Single Door Kit

Code: 01 CP 348 Double Door Kit

- For concealed fixing, retracts for painting.
- Adjustable seal for gaps 0-5mm.
- White PVC carrier with black rubber seal.

Available in: White

Sizes: Single length (2100mm)
Single door kit (2 x 2100mm, 1 x 1050mm)
Double door kit (3 x 2100mm)



SWINGSEAL

Code: 01 CP 349 Single Length

Code: 01 CP 350 Single Door Kit

Code: 01 CP 351 Double Door Kit

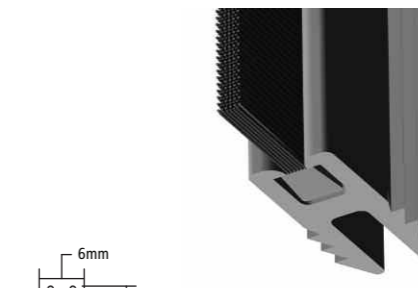
- For swing doors, secret fixing.
- Adjustable seal for gaps 0-5mm.
- White PVC carrier with black rubber seal.

Available in: White

Sizes: Single length (2100mm)

Single door kit (2 x 2100mm, 1 x 1050mm)

Double door kit (3 x 2100mm)



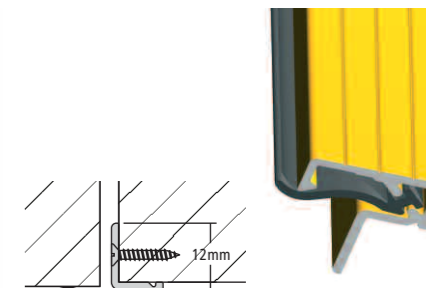
CENTRE DOOR SEAL

Code: 01 CP 073 Single Length

- For non-rebated double doors, fits into 5mm groove along edge of door.
- Concealed fixing, without fasteners.
- Aluminium carrier with black nylon brush.

Available in: Mill Finish Aluminium

Sizes: 2100mm lengths



20mm version shown. For 30mm version visit www.stormguard.co.uk

DOUBLE DOOR SEALS 20mm & 30mm

Code: 01 CP 070 DD20 20mm

Code: 01 CP 345 DD30 30mm

- Stops rain and draughts in double doors.
- Concealed fixing - no screws visible.
- Copes well with variable gaps.

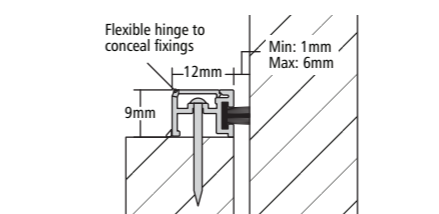
Available in: Mill Finish Aluminium

Gold Effect Aluminium

White Powder Coated Aluminium

Brown Powder Coated Aluminium

Sizes: 2100mm lengths



Sashseal shown. For Centreseal version visit www.stormguard.co.uk

SASHSEAL & CENTRESEAL

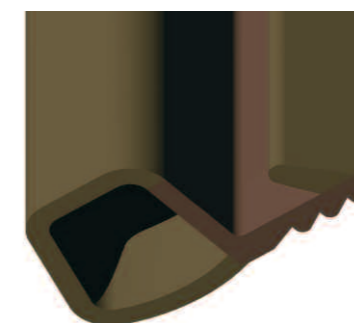
Code: 01 CP 356 Sashseal

Code: 01 CP 357 Centreseal

- Tough flexible brush pile seals for sliding sash windows.
- Suitable for arched doors and windows.
- Available in white & brown, with black pile.

Available in: White Brown

Sizes: 2100mm lengths



JOINERY SEAL

Code: 05 CP 065

- Enhances the performance of timber window frames.
- Suitable for frames with grooved rebate. (Rebate size 3mm wide x 3.5mm deep).
- Dual hardness material, compatible with water and solvent based finishes.

Available in: Brown

Sizes: 5m or 250m coil



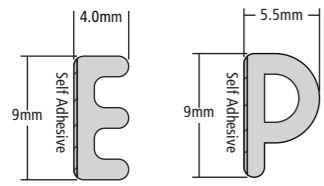
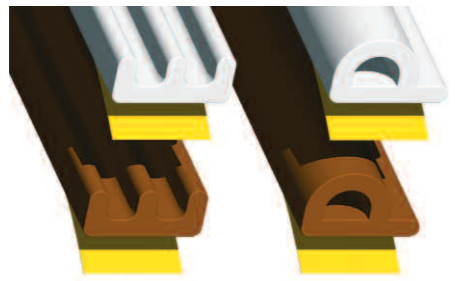
PVCu UNIVERSAL SEAL

Code: 21 CP 397

- Fits most PVCu extruded door frame sections.
- Also compatible with the Stormguard Slimline and Slimline Wide threshold sills.

Available in: Black

Sizes: Up to 200m



EPDM

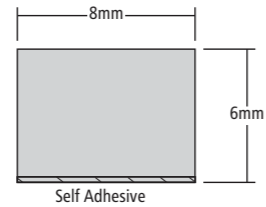
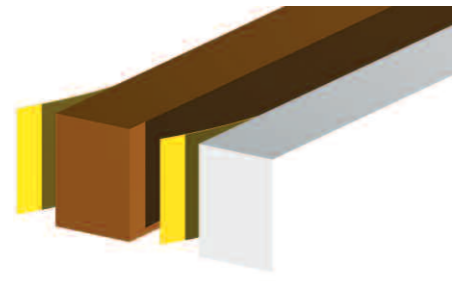
Code: 05 SG 033 'E' Profile 1.5-3mm
Code: 05 SG 034 'P' Profile 3-5mm

- Excellent quality long life rubber self-adhesive draught strip.
- Seals gaps up to 5mm.
- Stretch resistant during fitting or in use.

Available in: White
Brown



Sizes: 10m coils



ULTRASEAL

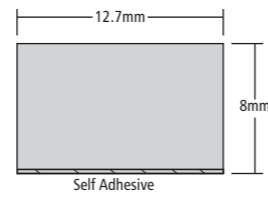
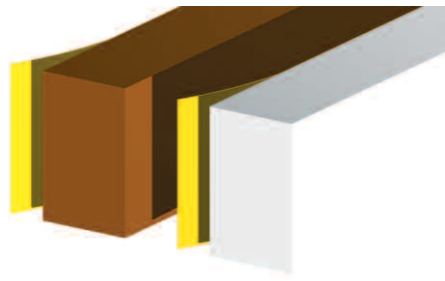
Code: 05 HOUT5 5m coil
Code: 05 HOUT15 15m coil

- Seals gaps 1-5mm. Self-adhesive.
- Excellent memory, returns to original shape.
- Ideal for variable gaps around doors and windows.

Available in: White
Brown



Sizes: 5m, 15m coils



EXTRA THICK RUBBER FOAM

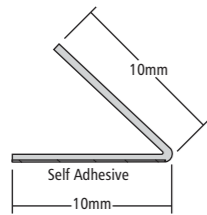
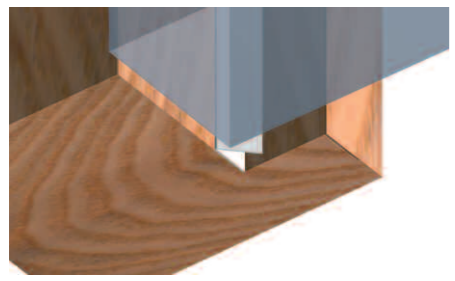
Code: 05 SG 036

- Seals gaps 2-7mm. Self-adhesive. Wipe clean.
- Excellent memory, returns to original shape.
- Ideal for large and variable gaps around doors and windows.

Available in: White
Brown
Black



Sizes: 3.5m coils



V SEAL

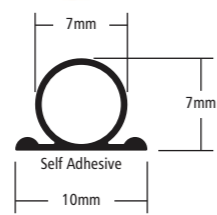
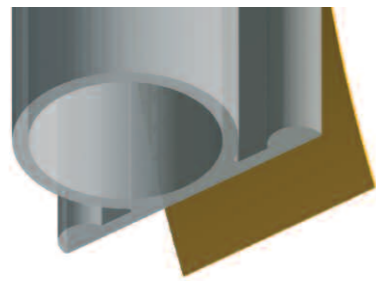
Code: 05 HOVS30

- For wooden and metal hinged doors and windows.
- Seals gaps 1mm-8mm.
- Self-adhesive and self-adjusting, wipe clean surface.
- Very low closing pressure.

Available in: White
Brown



Sizes: 5m coil



SILICONE SELF-ADHESIVE SEAL

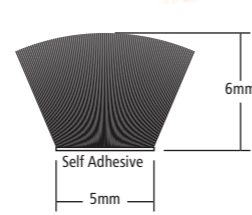
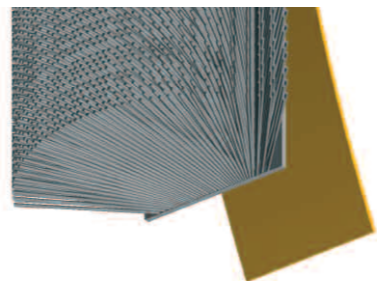
Code: 05 CP 398

- The very best large gap/small gap low compression seal available.
- Seals gaps 1mm-6mm.
- For all doors and windows.

Available in: White
Brown



Sizes: 5m coil



SELF-ADHESIVE BRUSH PILE

Code: 05 HOSP12

- Door and window self-adhesive draught excluder with brush pile.
- Seals gaps 3mm-5mm.

Available in: White
Brown



Sizes: 5m coil

BRUSH BOTTOM DOOR SEAL

Code: 02 CP 020 Standard (PVC). Retail Pack 02 SG 020
Code: 02 CP 019 Heavy Duty (Aluminium). Retail Pack 02 SG 019

- Simple, effective brush draught excluder.
- Seals gaps 5mm-15mm.
- Ideal for sliding, folding, hinged and garage doors.
- 25mm brush seal.
- Slotted holes for adjustable fixing.

Available in: White PVC

Brown PVC

Mill Finish Aluminium

Gold Effect Aluminium



Sizes: 838mm (2'9"), 914mm (3'0"), 2134mm (7'0")

Available with 50mm (2") brush:

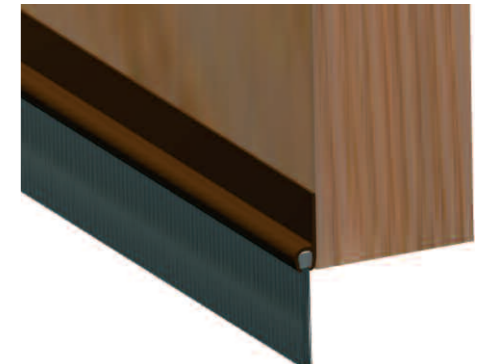
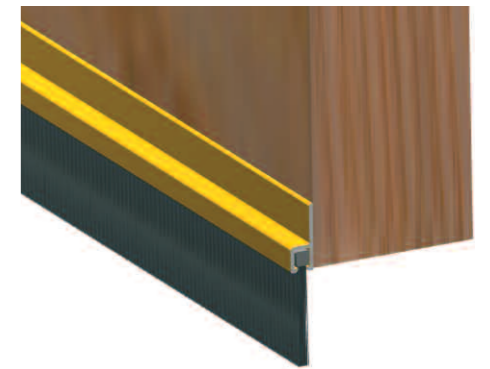
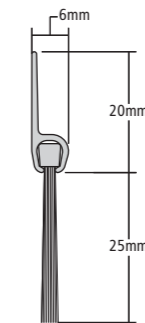
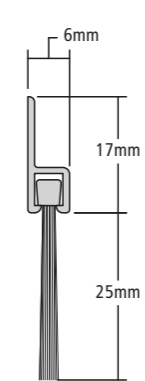
Standard Duty 50mm Brush BDS 2134mm

20 CP 030

Heavy Duty 50mm Brush BDS 2134mm

20 CP 029

For Garage and Industrial Door Brush Seals, see page 33



RUBBER BOTTOM DOOR SEAL

Code: 03 CP 021 Retail Pack 03 SG 021

- Simple, effective rubber seal draught excluder.
- Designed for use with a threshold sill or other raised step.
- Seals gaps up to 12mm.
- Ideal for sliding, folding, hinged and garage doors.
- TPE rubber seal. Also effective 'cold smoke' seal.
- Pre-drilled fixing holes.

Available in: Mill Finish Aluminium

Gold Effect Aluminium



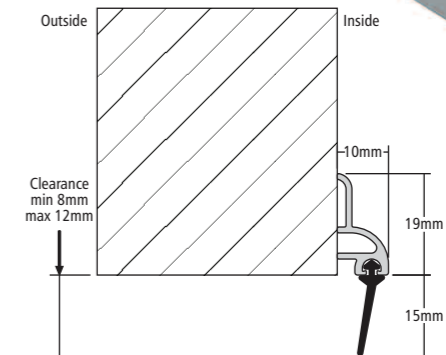
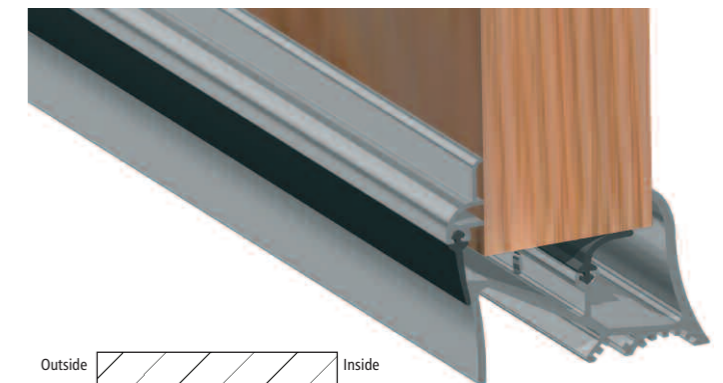
Sizes: 838mm (2'9"), 914 (3'0")

Available with 50mm (2") rubber:

50mm (2") Rubber Garage Door Seal

03 CP 214

For Garage and Industrial Door Rubber Seal, see page 33



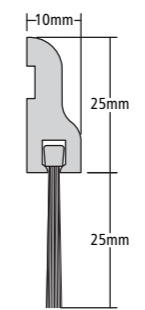
WOOD BRUSH BOTTOM DOOR SEAL

Code: 02 SG 032

- Ideal for wood finish doors.
- Seals gaps 5mm-15mm.
- Hard wearing natural hardwood finish, suitable for painting and staining.
- 25mm brush.
- Pre-drilled fixing holes.
- Ideal for sliding, folding, hinged and garage doors.

Available in: Natural Wood

Sizes: 914mm (3'0")



CONCEALED FIXING BRUSH BOTTOM DOOR SEAL

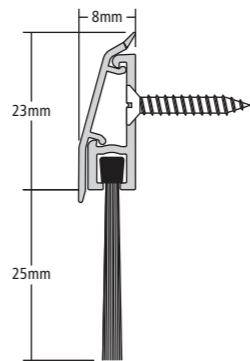
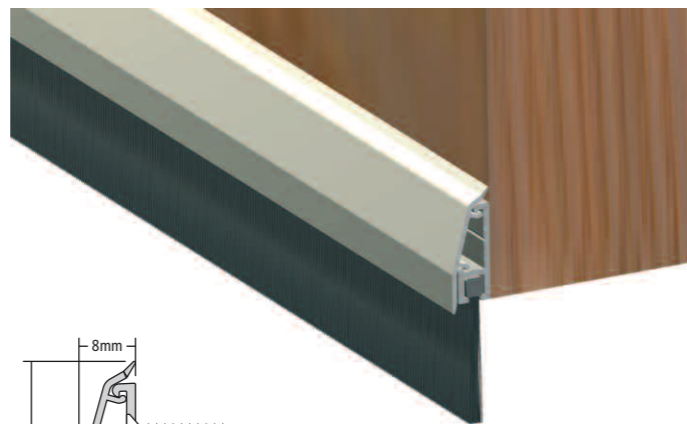
Code: 20 CP 072 (Contract packs only)

- Bottom of the door heavy duty aluminium brush seal carrier with various PVCu cover colour options.
- Seals gaps 5mm-15mm.
- Smooth profile with concealed fixings.
- Quick and easy to fit. The PVC cover clips into place.

Available in: Mill Finish Aluminium

- With:
- Gold Effect PVC Cover
 - Matt Aluminium Effect PVC Cover
 - White PVC Cover
 - Brown PVC Cover
 - Light Wood Effect PVC Cover
 - Dark Wood Effect PVC Cover
 - Chrome Effect PVC Cover

Sizes: 838mm (2'9"), 914mm (3'0")



BRYDALE X

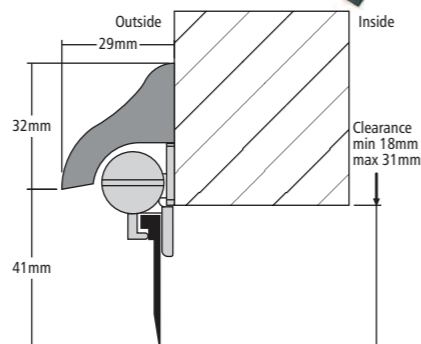
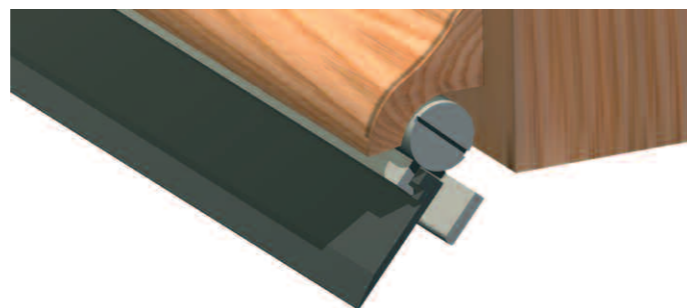


Code: 14 SB 005

- Suitable for inward opening doors.
- Clear access rain and draught excluder. Fixes to door face leaving threshold clear. Lifts clear of raised floor covering automatically when door is opened.
- Seals against uneven thresholds and steps. Flexible nitrile seal automatically closes tightly onto threshold when door is closed.
- Face fixing, no need to remove door.
- Hardwood and heavy duty aluminium coated mechanism.

Available in: Natural Wood

Sizes: 762mm (2'6"), 914mm (3'0"), 1067mm (3'6")
1219mm (4'0")



AUTOMATIC THRESHOLD AT3

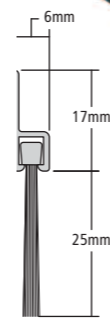
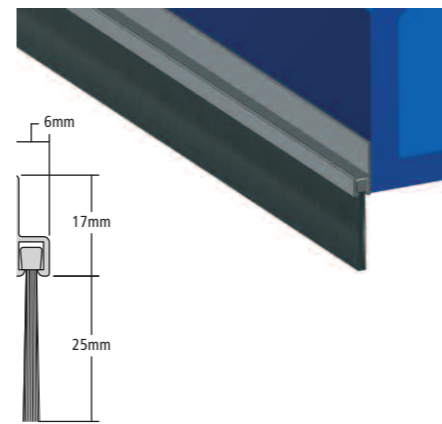
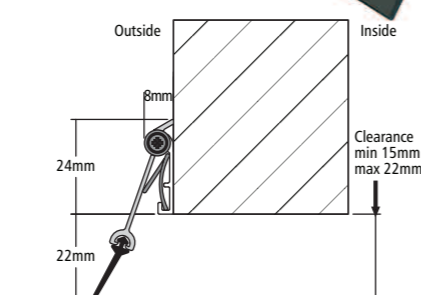
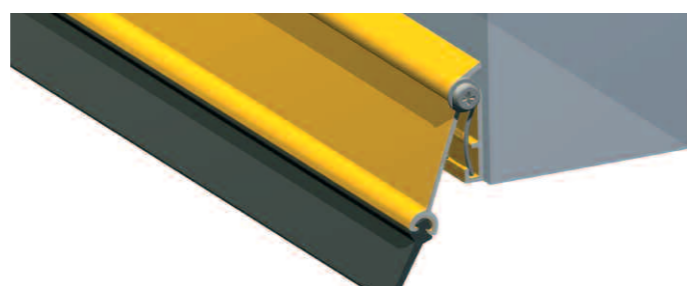


Code: 14 HO AT3

- Suitable for inward opening doors.
- Clear access rain and draught excluder. Fixes to door face leaving threshold clear. Lifts clear of raised floor covering automatically when door is opened.
- Heavy duty aluminium construction.
- Seals against uneven thresholds and steps. Flexible nitrile seal automatically closes tightly onto threshold when door is closed.
- Face fixing, no need to remove door.

Available in: Mill Finish Aluminium
Gold Effect Aluminium

Sizes: 914mm (3'0")



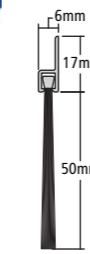
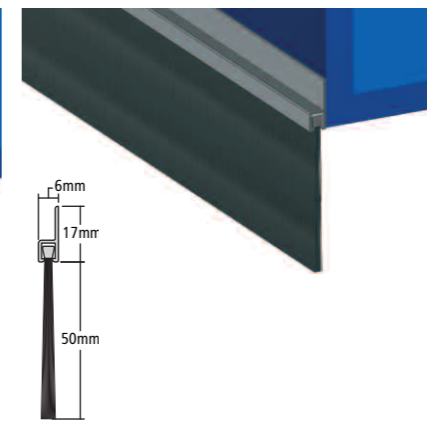
HEAVY DUTY 1" BRUSH GARAGE DOOR SEAL

Code: 02 CP 019

- For sealing all garage and industrial doors.
- Seals gaps 5mm-15mm
- Aluminium carrier with 26mm (1") brush seal.

Available in: Mill Finish Aluminium
Gold Effect Aluminium

Sizes: 2134mm (7'0")



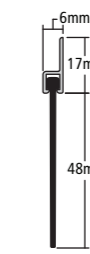
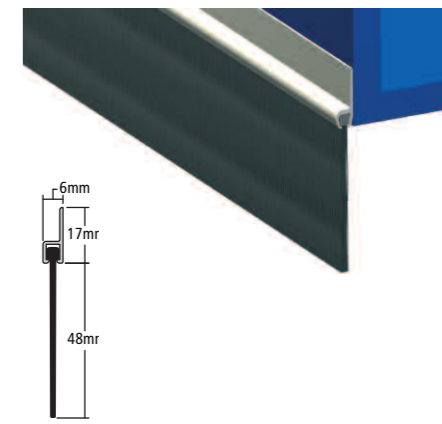
HEAVY DUTY 2" BRUSH GARAGE DOOR SEAL

Code: 02 CP 029

- For sealing all garage and industrial doors with large gaps beneath.
- Seals gaps 25mm-50mm.
- Aluminium carrier with 50mm (2") brush seal.

Available in: Mill Finish Aluminium
Gold Effect Aluminium

Sizes: 2134mm (7'0")



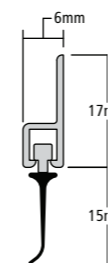
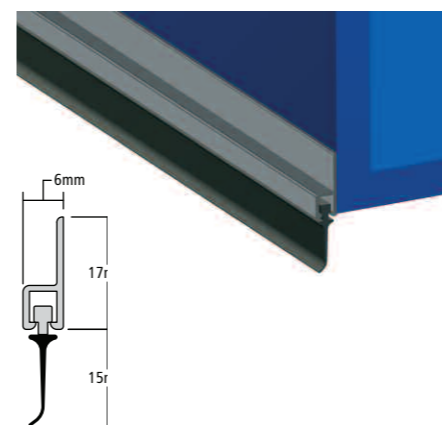
STANDARD 2" BRUSH GARAGE DOOR SEAL

Code: 02 CP 030

- For sealing all garage and industrial doors with large gaps beneath.
- Seals gaps 25mm-50mm.
- PVC carrier with 50mm (2") brush seal.

Available in: White PVC
Brown PVC

Sizes: 2134mm (7'0")



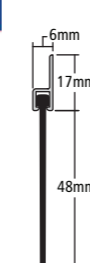
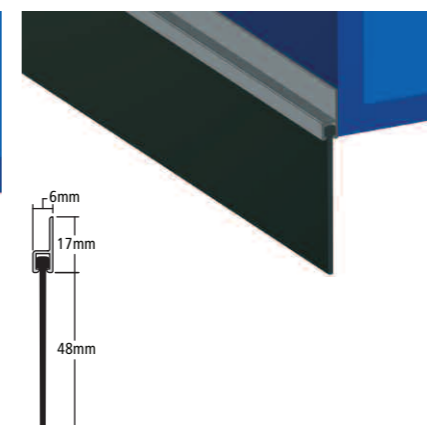
HEAVY DUTY 1" RUBBER GARAGE DOOR SEAL

Code: 03 CP 399

- A rubber seal choice for all garage and industrial doors.
- Seals gaps 5mm-15mm.
- Aluminium carrier with 25mm (1") rubber seal.

Available in: Mill Finish Aluminium
Gold Effect Aluminium

Sizes: 2134mm (7'0")



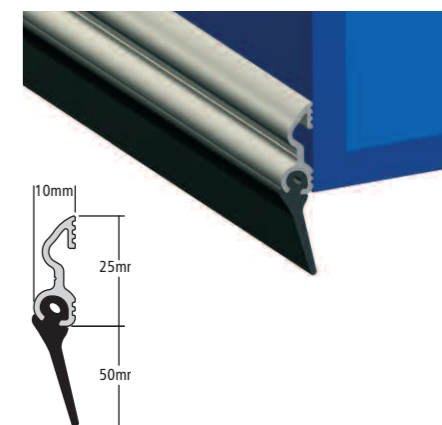
HEAVY DUTY 2" RUBBER GARAGE DOOR SEAL

Code: 03 CP 214

- For sealing all garage and industrial doors with large gaps beneath.
- Seals gaps 25mm-50mm.
- Aluminium carrier with 50mm (2") rubber seal.
- Also available in a 2.5m kit (2 x 1.25m aluminium sections plus 1 x 2.5m seal).

Available in: Mill Finish Aluminium

Sizes: 914mm (3'0"), 2134mm (7'0"),
2.5m kit (2 x 1250mm)



INDUSTRIAL RUBBER DOOR SEAL

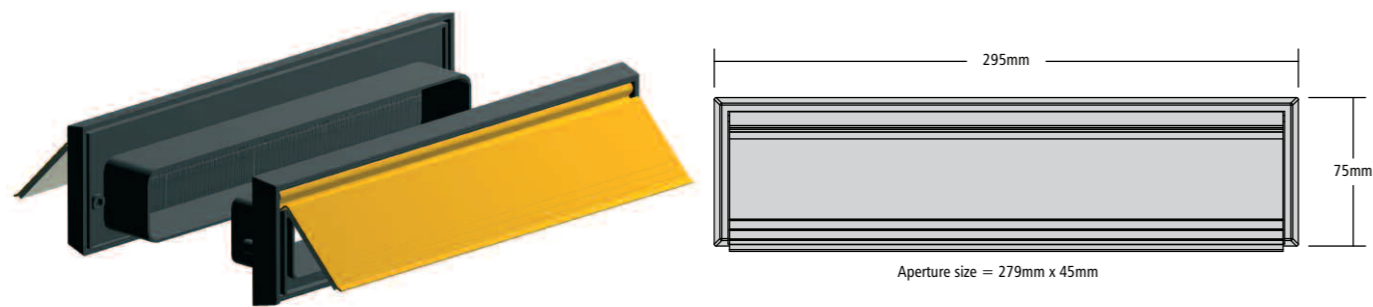
Code: 03 CP 055

- A high resistance rubber seal. Designed to seal folding, lifting, rolling and hinged industrial and garage doors.
- Seals gaps 5mm-15mm.
- Aluminium carrier with 25mm (1") seal.
- Can be used in conjunction with raised ramp threshold (see below).

Available in: Mill Finish Aluminium

Sizes: 2134mm (7'0")

Component products available:-
Industrial Raised Ramp (Page 21) 04 CP 053



WEATHERPROOF SLEEVED LETTERBOXES



Suitable for inward opening doors.

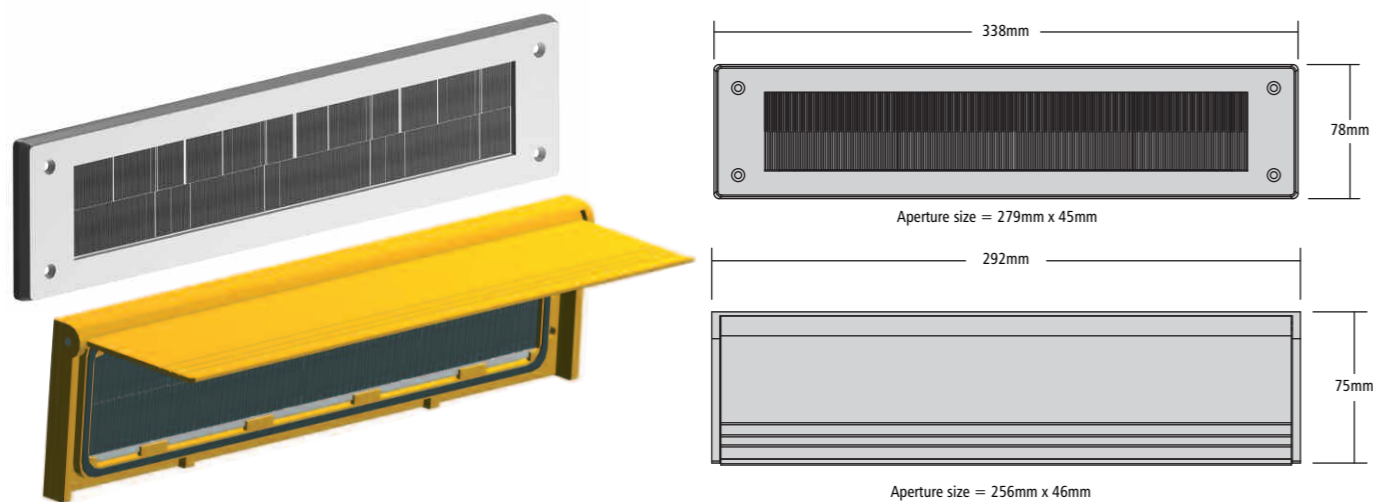
Code: 06 SG 018

- 45mm brush strip resists draughts.
- Attractive appearance, with fixings concealed behind outer flap.
- Quick and easy to fit. In the factory or on site, integral sleeve for 45mm door rails.
- Durable rust and tarnish free aluminium and PVC construction.

- Available in:
- Satin Anodised Aluminium with Black surround
 - Gold Anodised Aluminium with Black surround
 - PVD Chrome on Stainless Steel with Silver surround
 - PVD Polished Brass on Stainless Steel with Silver surround

Product dimensions: 295mm x 75mm

Fits aperture: 279mm x 45mm



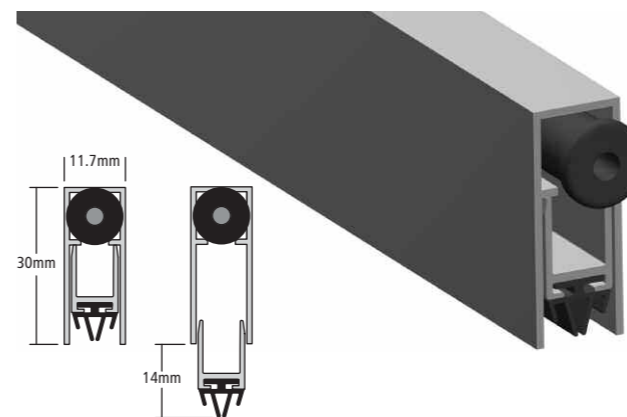
INTERNAL LETTERPLATE DRAUGHT EXCLUDERS

- Code: 06 SG 015 PVC Letterplate No Flap
- Code: 06 SG 016 PVC Letterplate With Flap
- Code: 06 SG 017 Aluminium Letterplate No Flap
- Code: 06 SG 031 Aluminium Letterplate With Flap

- Intermeshing, twin brush design.
- Quick, easy fitting. Pre-drilled fixing holes.
- Wipe clean finish.
- Available with or without hinged flap to cover brushes.

- Available in:
- White PVC
 - Brown PVC
 - Mill Finish Aluminium
 - Gold Effect Aluminium
 - Chrome Effect Aluminium
 - White Effect Aluminium

Product dimensions: 338mm x 78mm
Except Aluminium, Chrome Effect or Gold Effect Letterplate with flap: 292mm x 75mm



EUROGROOVE DROP DOWN SEAL

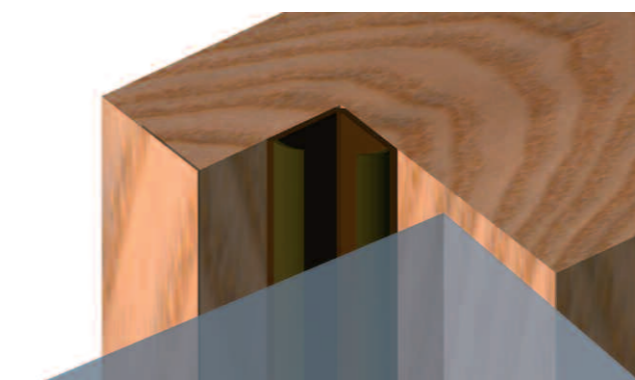
Suitable for timber, composite and PVCu doors.

Code: 14 CP 378

- Fits into Standard Eurogroove
- Acoustic and smoke seal. 14mm maximum drop. Mechanism removable from hinge side after fixing. T6 aluminum profile.
- Seals: 4 fins in self-extinguishing PVC.
- Sound insulation of 37 dB. Tested up to 200,000 closing cycles.

Available in: Mill Finish Aluminium

Sizes: 930mm, 1030mm



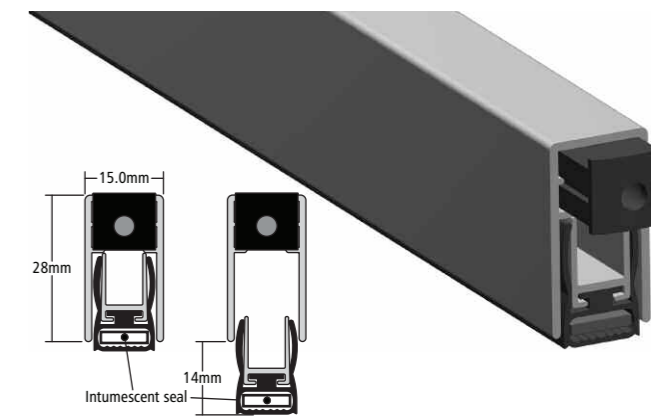
ACOUSTIC FRAME SEAL

Code: 01 CP 402

- Acoustic seal. For new-build or retro-fit applications. Designed to seal perimeter gaps in door set assemblies, to reduce noise and smoke permeation. High performance adhesive backing.
- Certified to BS EN 1634-1:2000 and BS 476 Part 31.1
- Sound insulation of up to 31 dB.
- Tested up to 100,000 closing cycles.

Available in: White PVC
Brown PVC

Sizes: 2100mm



UNIFIRE INTUMESCENT DROP DOWN SEAL

Suitable for fire doors. Acoustic and fire seal.

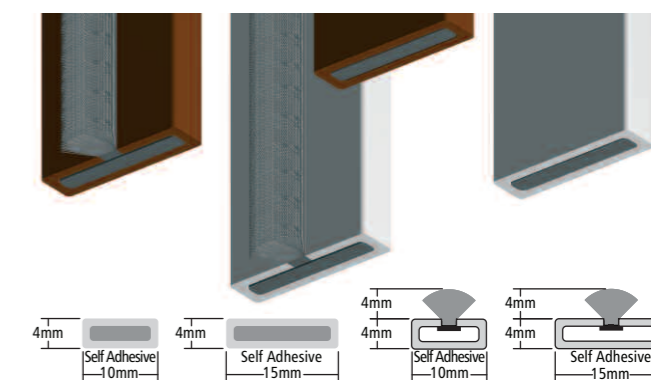
Code: 14 SG 379 Unifire 30 (30 minutes)

Code: 14 SG 380 Unifire 60 (60 minutes)

- Intumescent seal inserts for full fire rating.
- 30 or 60 minute fire resistance available with full certification.
- Certified to BS EN 1634-1:2000. 14mm maximum drop.
- T6 aluminum profile.
- Sound insulation of 51 dB. Tested up to 200,000 closing cycles.

Available in: Mill Finish Aluminium

Sizes: 930mm, 1030mm



INTUMESCENT FIRE/SMOKE SEALS 10mm & 15mm

Suitable for fire doors.

Code: 05 CP 063 10mm Intumescent Fire Seal (30 mins)

Code: 05 CP 064 10mm Intumescent Fire and Smoke Seal (30 mins)

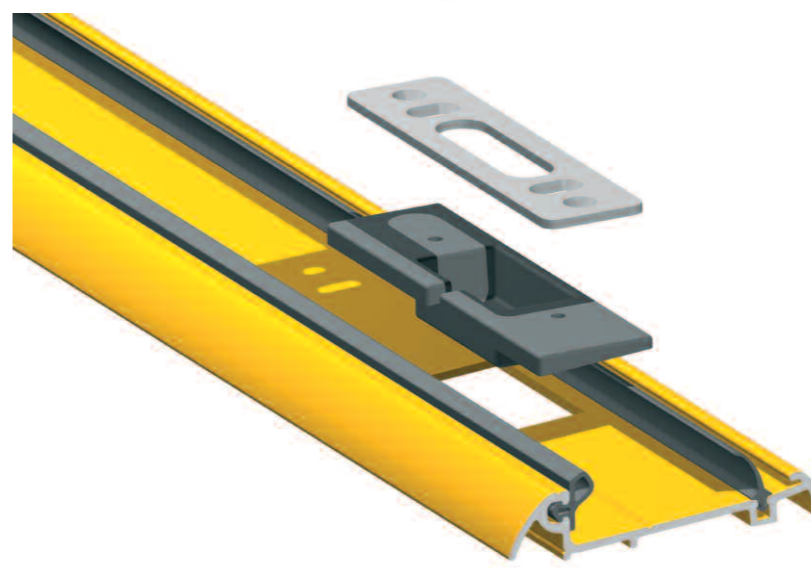
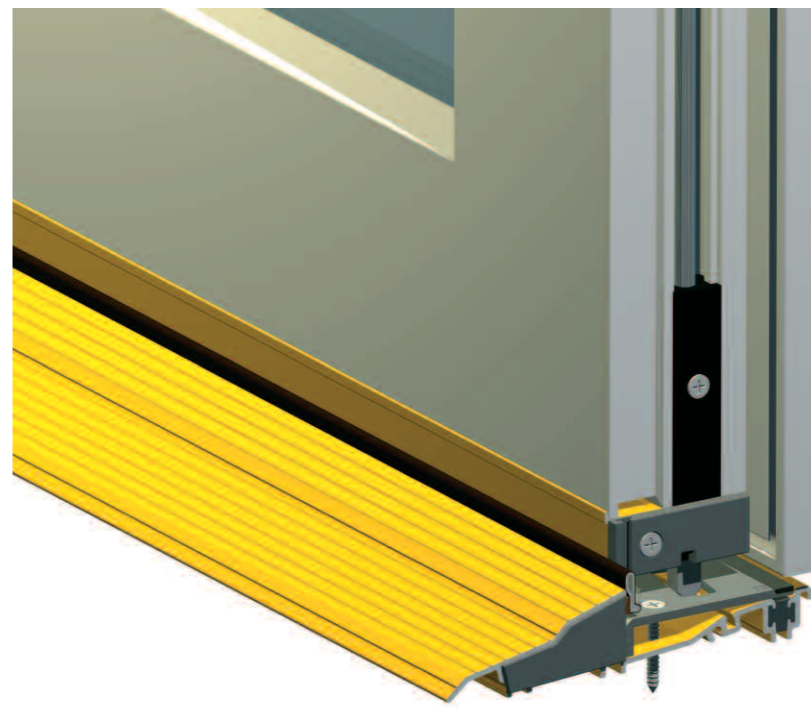
Code: 05 CP 276 15mm Intumescent Fire Seal (30 mins)

Code: 05 CP 277 15mm Intumescent Fire and Smoke Seal (30 mins)

- Available as fire seal only, or combined with a nylon brush, as fire and cold smoke seal.
- 30 minute fire resistance for 10mm. Certified to BS 476 Part 22 and 31.1. Easy to fit, with self-adhesive backing tape.
- 45 minute fire resistance for 15mm.
- Easy to fit, with self-adhesive backing tape.

Available in: White PVC
Brown PVC

Sizes: 1050mm, 2100mm



COMPONENT PRODUCTS

The Stormguard range has expanded in recent years to provide a comprehensive series of products that enable door set manufacturers to specify Stormguard merchandise with confidence.

Stormguard's sales and in-house CAD design teams ensure that we can develop new strategies and improve existing models speedily and in line with our customers' bespoke requirements.

INFILLS

UPVC Door Infill Bar	38
UPVC Door Infill Bar End Caps	38
Threshold Frame Infill Bars	39
Frame Infill Blocks	39
Hinge Side Cover	39
Lock Side U Rail	39

CONNECTORS

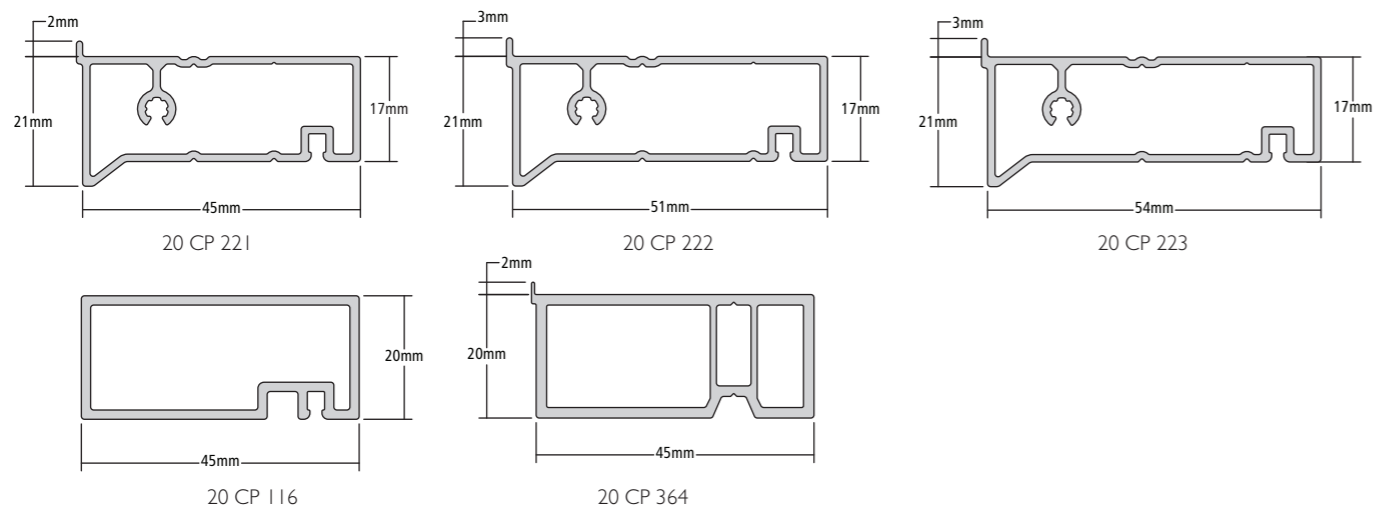
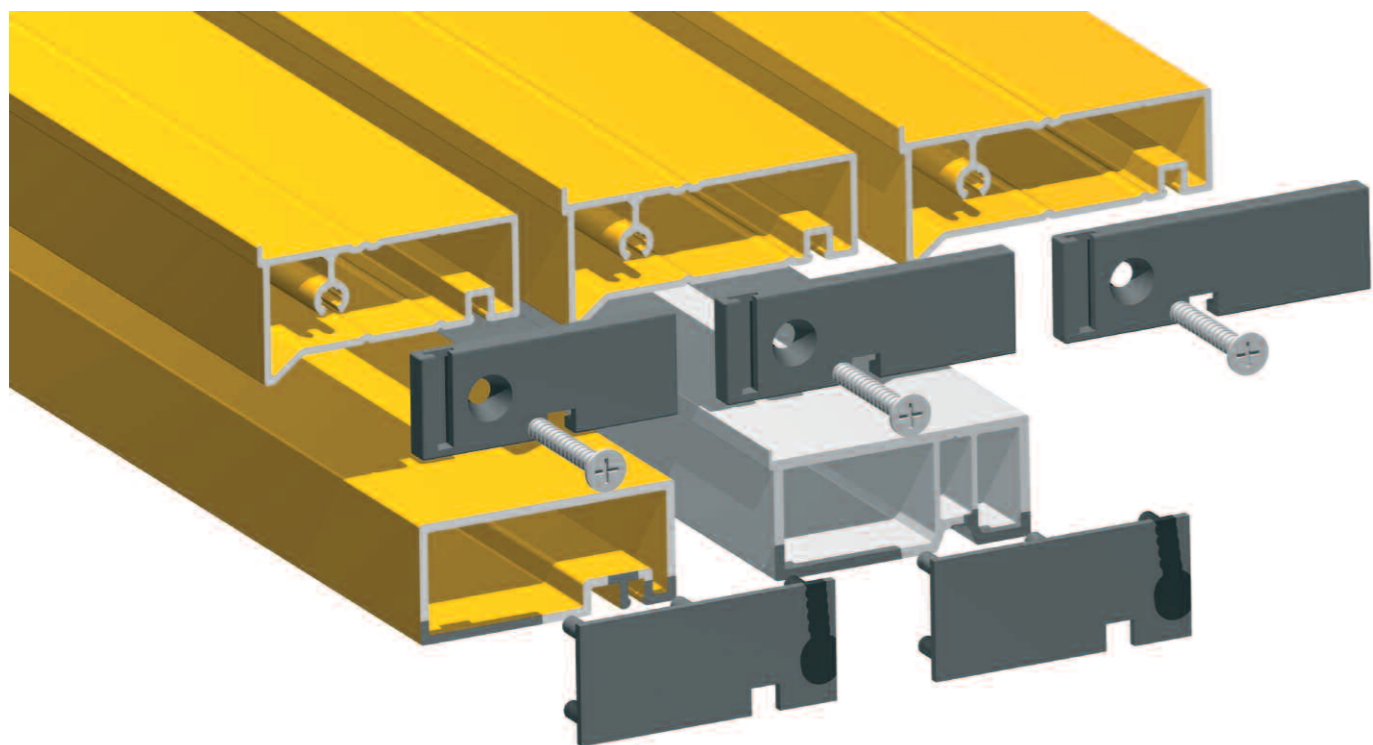
Profile Cutters	40
Connectors	41

LOCKING KEEPS

Locking Keeps	42
Adjustable Locking Keeps	42
Shootbolt Catchers	42
Admastic Sealant	42

PROTECTIVE COVERS & END CAPS

Protective Covers	43
Corner Protectors	43
End Caps	43
Head Caps and Edge Covers	43
Slimline Thermal Cover	43
SG Tiestep	43
SG Tiestep 10	43



UPVC DOOR INFILL BARS

Infills the over rebate on the underside of a PVCu door, to allow the use of flush door thresholds.

UPVC DOOR INFILL BAR 45, 51 & 54

Code: 20 CP 221 45mm

Code: 20 CP 222 51mm

Code: 20 CP 223 54mm

Available in: Matt Aluminium

Matt Gold Effect Aluminium

Sizes: Up to 3m

UPVC DOOR INFILL

Code: 20 CP 116

Available in: Matt Aluminium

Matt Gold Effect Aluminium

Sizes: Up to 3m

UPVC DOOR INFILL BAR 45 (PVC)

Code: 20 CP 364 (45mm)

Available in: White PVC

Sizes: Up to 2m

UPVC DOOR INFILL BAR END CAPS

These caps fit over each of the aluminium infill bar, creating a weatherproof seal and a neat, safe trim to the end of the bar. Supplied with Infill Bars.

Code: 22 CP 137 UPVC Door Infill Bar End Caps (pair)

Code: 22 CP 245 UPVC Door Infill Bar 45 End Caps (pair)

Code: 22 CP 246 UPVC Door Infill Bar 51 End Caps (pair)

Code: 22 CP 247 UPVC Door Infill Bar 54 End Caps (pair)

Available in: Black PVC

Sizes: Up to 2m

THRESHOLD FRAME/ SIDELIGHT INFILL BARS

Designed specifically for each threshold, these infill sections fit into the sill and allow the door frame/sidelight to be fitted on top of the sill without milling the bottom of the frame to the sill profile.

Code: 20 CP 148 Proline AM3 and AM3EX Frame Infill

Code: 20 CP 174 Eco 3000 Frame Infill

Code: 20 CP 176 Masterguard 51 Frame Infill

Code: 20 CP 176 Proline AM3 & Am3EX Styrene Infill

Code: 20 CP 176 Proline AM5EX Styrene Infill

Available in: Matt Aluminium

Matt Gold Effect Aluminium

Black Styrene

Sizes: Up to 2m

FRAME/SIDELIGHT INFILL BLOCKS

Designed specifically for each threshold, these styrene and rubber sections fit into the sill and allow the door frame to be fitted on top of the sill without milling the bottom of the frame to the sill profile.

Code: 20 CP 159 Proline AM3 and AM3EX Frame Infill Blocks in Styrene (pair)

Code: 20 CP 242 Proline AM5EX Frame Infill Blocks in Styrene (pair)

Code: 20 CP 175 Eco 3000 Frame Infill Blocks in rubber (pair)

Available in: Rubber (Eco 3000)

Styrene (AM3 & AM5EX)

Sizes: 50mm, 60mm, 80mm (pairs).

Also available in 1m lengths

HINGE COVER AND LOCK SIDE U RAIL

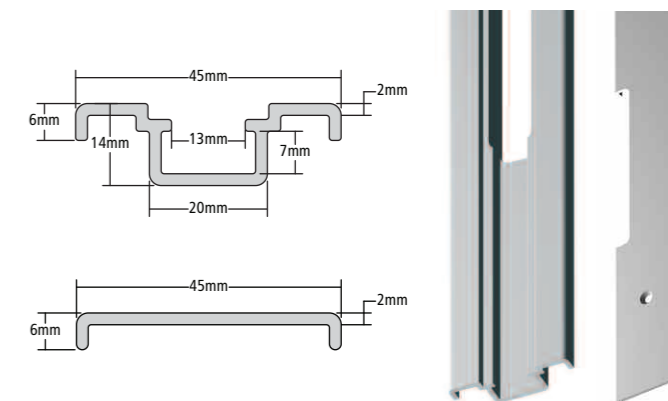
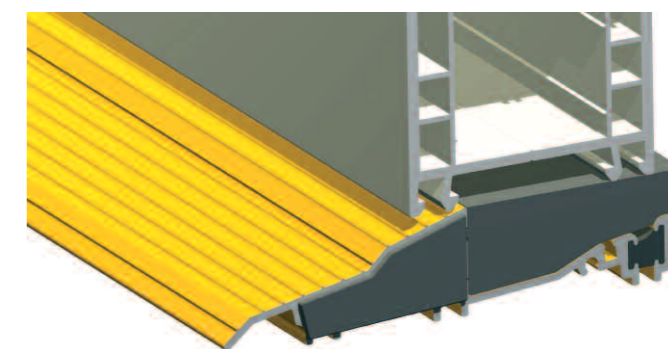
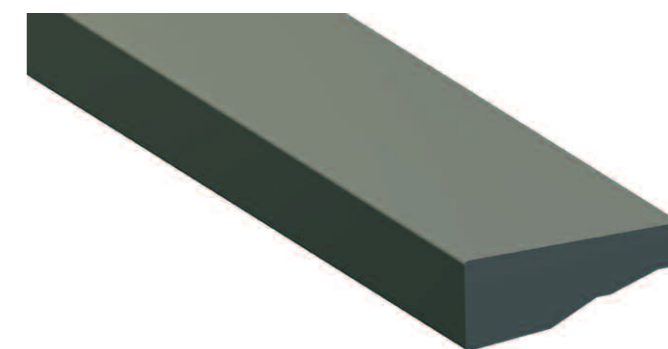
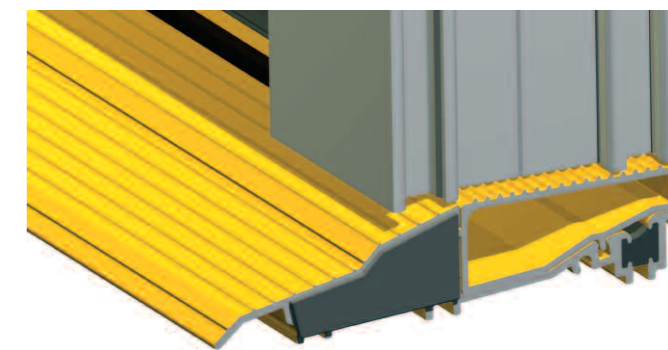
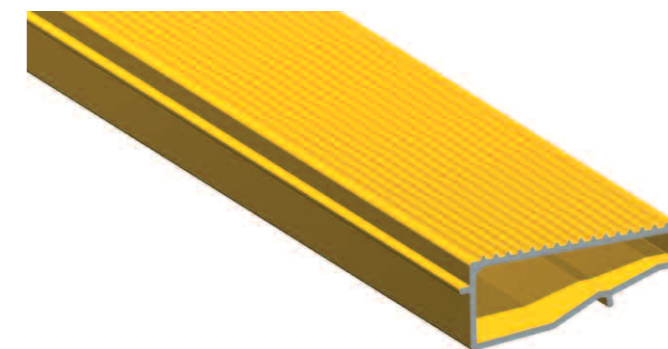
Fits to the hinge (or lock) side of the composite door to cover the edges after machining.

Available in: Mill Finish Aluminium

White Aluminium

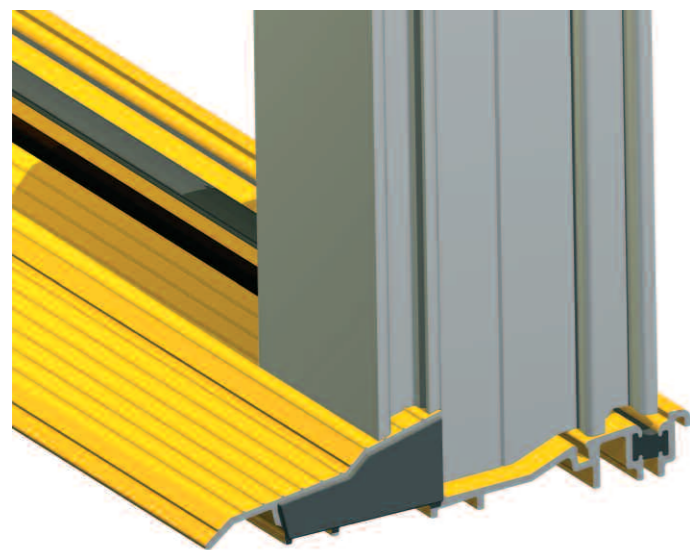
Sizes: Up to 2100mm

Please contact Stormguard on 01625 613311 for additional details.



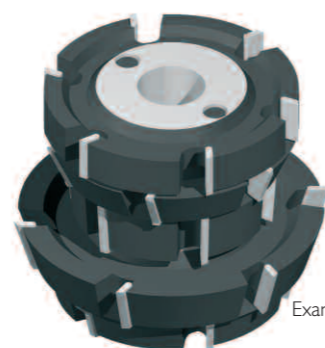
THRESHOLD TO DOOR FRAME CONNECTORS

THREE WAYS TO CONNECT A THRESHOLD TO A DOOR FRAME

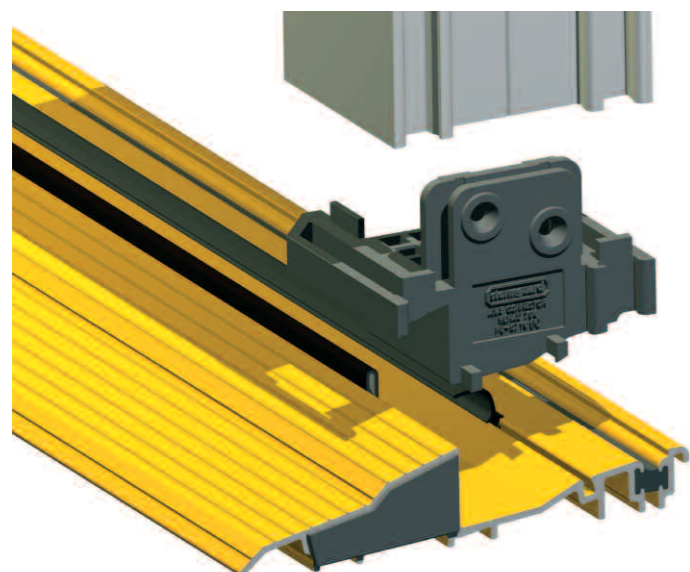


Method 1. Machine Profiling

This method involves machine profiling of the door frame to match the threshold, using a specially profiled frame cutting tool. For details of the various types of cutting tool, contact Stormguard on 01625 613311.

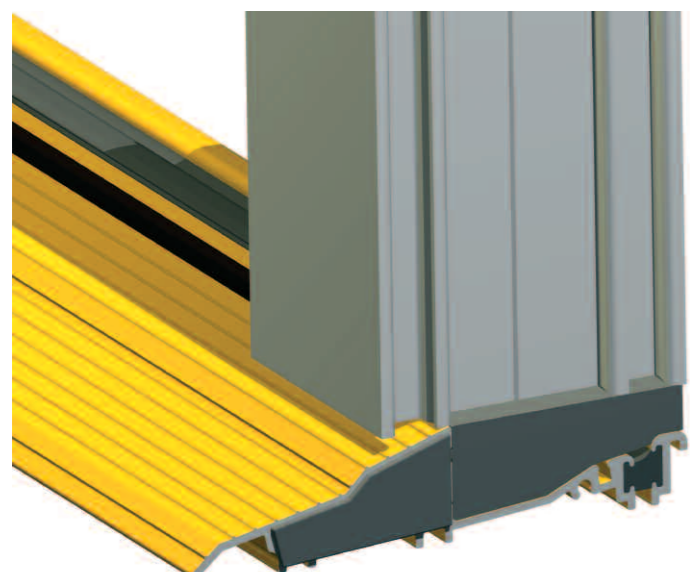


Example of profiled cutting tool



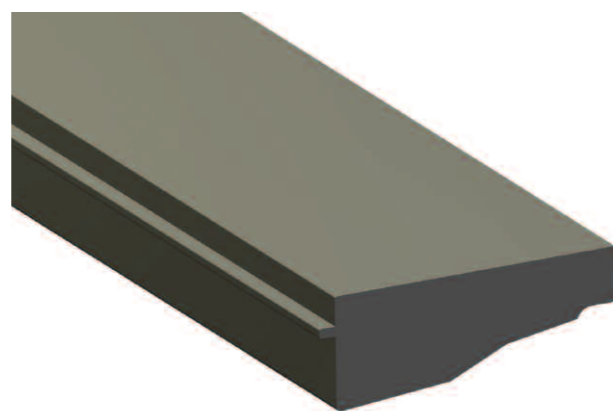
Method 2. Connector Blocks

The second method entails the use of bespoke connector blocks which match the door frame and threshold, and which are fitted initially to the frame and then onto the threshold.



Method 3. Infill Blocks

The third method requires a styrene infill block. These styrene blocks are created to fit the profile of the threshold and are universal, ie can be used with any door frame.



CONNECTORS

These bespoke connectors make the connecting of PVC door frames to our thresholds possible without profile machining.

- Code: 26 CP 254 Proline AM3EX Rehau 706 Connectors (pair)
- Code: 26 CP 255 Proline AM5EX Rehau 706 Connectors (pair)
- Code: 26 CP 256 Proline AM3EX HW Elite 70 Connectors (pair)
- Code: 26 CP 257 Proline AM5EX HW Elite 70 Connectors (pair)
- Code: 26 CP 258 Proline AM3EX HW Elite 63 Connectors (pair)
- Code: 26 CP 259 Proline AM5EX HW Elite 63 Connectors (pair)
- Code: 26 CP 263 Proline AM3EX Syn Synerjy Connectors (pair)
- Code: 26 CP 264 Proline AM5EX Syn Synerjy Connectors (pair)
- Code: 26 CP 265 Proline AM3EX Syn Shield Connectors (pair)
- Code: 26 CP 266 Proline AM5EX Syn Shield Connectors (pair)
- Code: 26 CP 267 Proline AM3EX Veka 58 (65mm) Connectors (pair)
- Code: 26 CP 268 Proline AM5EX Veka 58 (65mm) Connectors (pair)
- Code: 26 CP 269 Proline AM3EX Veka 70 (70mm) Connectors (pair)
- Code: 26 CP 270 Proline AM5EX Veka 70 (70mm) Connectors (pair)
- Code: 26 CP 271 Proline AM3EX Selecta 70 Connectors (pair)
- Code: 26 CP 272 Proline AM5EX Selecta 70 Connectors (pair)
- Code: 26 CP 273 Proline AM3EX Rehau Tritec Connectors (pair)
- Code: 26 CP 274 Proline AM5EX Rehau Tritec Connectors (pair)
- Code: 26 CP 302 Proline AM3EX Duraflex Diamond 65 Connectors (pair)
- Code: 26 CP 304 Proline AM3EX Duraflex Diamond 70 Connectors (pair)
- Code: 26 CP 306 Proline AM3EX WHS Halo System 10 Connectors (pair)
- Code: 26 CP 362 Proline AM3EX Deceuninck 2800 Connectors (pair)
- Code: 26 CP 363 Proline AM5EX Deceuninck 2800 Connectors (pair)
- Code: 26 CP 367 Proline AM3EX Veka 70 (80mm) Connectors (pair)
- Code: 26 CP 368 Proline AM5EX Veka 70 (80mm) Connectors (pair)
- Code: 26 CP 369 Proline AM3EX Veka 58 (80mm) Connectors (pair)
- Code: 26 CP 370 Proline AM5EX Veka 58 (80mm) Connectors (pair)
- Code: 26 CP 385 Proline AM3EX Veka FS70 (70mm) Connectors (pair)
- Code: 26 CP 386 Proline AM5EX Veka FS70 (70mm) Connectors (pair)
- Code: 26 CP 376 Slimline Rehau S706 Connectors (pair)
- Code: 26 CP 377 Slimline LB Sheerframe 70942 Connectors (pair)
- Code: 26 CP 409 Proline AM3EX Rehau S706 Connectors (pair)
- Code: 26 CP 410 Proline AM5EX Rehau S706 Connectors (pair)
- Code: 26 CP 411 Proline AM3EX Profile 22 78010 Connectors (pair)
- Code: 26 CP 412 Proline AM5EX Profile 22 78010 Connectors (pair)

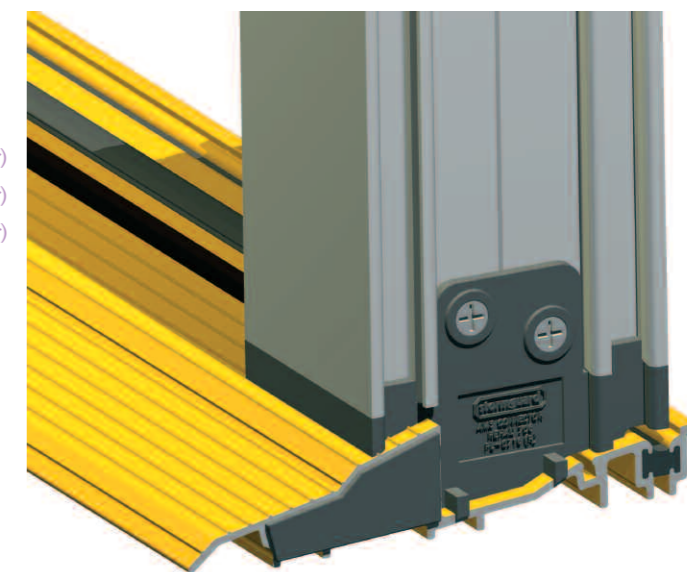
Available in: Black

Some versions also available in: White PVC

Dark Brown PVC

Light Brown PVC

New additional connectors for your profile are an ongoing development. Please contact Stormguard on 01625 613311 for additional details.



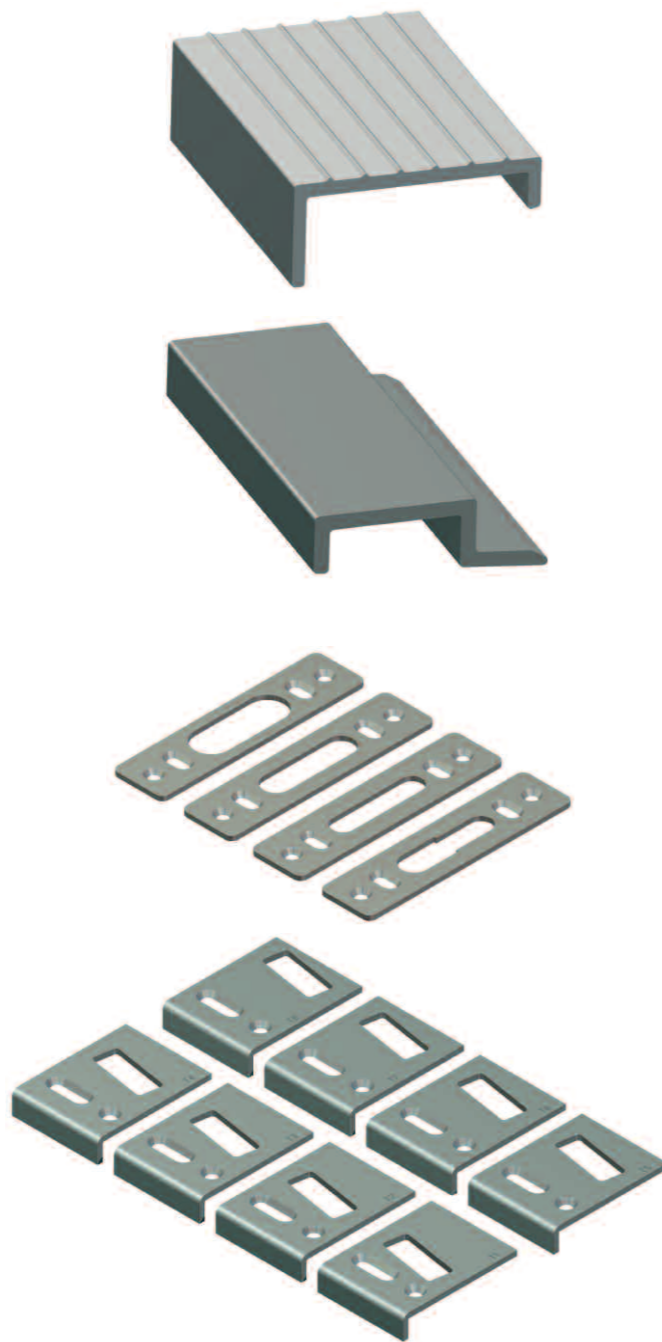
LOCKING KEEPS

Designed specifically for each threshold, the locking keep is screwed into position and can be drilled to accept flush bolts.

- Code: 20 CP 074 Lowline Locking Keep
- Code: 20 CP 076 Outward Opening Locking Keep
- Code: 20 CP 077 Trimline Locking Keep
- Code: 20 CP 078 Brydale Locking Keep
- Code: 20 CP 115 Proline AM3 Locking Keep
- Code: 20 CP 119 Proline AM4 Locking Keep
- Code: 20 CP 140 Eco 3000 Locking Keep
- Code: 20 CP 308 Slimline Wide Locking Keep
- Code: 20 CP 336 Slimline Wide Locking Keep 9mm Slot
- Code: 20 CP 337 Slimline Wide Locking Keep 11mm Slot
- Code: 20 CP 338 Slimline Wide Locking Keep 15mm Slot
- Code: 20 CP 352 Slimline Wide Locking Keep 9mm-11mm Slot

Available in: Mill Finish Aluminium 
Gold Effect Aluminium 

Sizes: 60mm, 150mm



ADJUSTABLE LOCKING KEEPS

Adjustable to suit your shootbolt position

- Code: 20 CP 190 Proline AM3 Adjustable Locking Keep 40mm
- Code: 20 CP 226 Proline AM3EX Adjustable Locking Keep T1
- Code: 20 CP 227 Proline AM3EX Adjustable Locking Keep T2
- Code: 20 CP 228 Proline AM3EX Adjustable Locking Keep T3
- Code: 20 CP 229 Proline AM3EX Adjustable Locking Keep T4
- Code: 20 CP 230 Proline AM3EX Adjustable Locking Keep T5
- Code: 20 CP 231 Proline AM3EX Adjustable Locking Keep T6
- Code: 20 CP 232 Proline AM3EX Adjustable Locking Keep T7
- Code: 20 CP 233 Proline AM3EX Adjustable Locking Keep T8
- Code: 20 CP 329 Proline AM3EX Adjustable Locking Keep T4S
- Code: 20 CP 191 Proline AM5 Adjustable Locking Keep 40mm
- Code: 20 CP 234 Proline AM5EX Adjustable Locking Keep E1
- Code: 20 CP 235 Proline AM5EX Adjustable Locking Keep E2
- Code: 20 CP 236 Proline AM5EX Adjustable Locking Keep E3
- Code: 20 CP 237 Proline AM5EX Adjustable Locking Keep E4
- Code: 20 CP 238 Proline AM5EX Adjustable Locking Keep E5
- Code: 20 CP 239 Proline AM5EX Adjustable Locking Keep E6
- Code: 20 CP 240 Proline AM5EX Adjustable Locking Keep E7
- Code: 20 CP 241 Proline AM5EX Adjustable Locking Keep E8
- Code: 20 CP 330 Proline AM5EX Adjustable Locking Keep E4S

Available in: Bright Zinc plated Steel 

SHOOTBOLT CATCHERS

Prevent water from seeping under the threshold when downward locking bolts are specified.


- Code: 20 CP 341 Slimline Wide Shootbolt Catcher

Available in: Black PVC 

ADMASTIK

- Code: 13 SG 045 Tube 93g
- Code: 13 SG 028 Cartridge 310g

- Specially developed dual action sealant, the only mastic recommended by Stormguard for fitting our threshold sills.
- Bonds threshold sills to all common building surfaces, either porous or non-porous.
- Available in two formulations.
- Non-solvent packed in tubes, ideal for domestic use. Solvent type packed in cartridges.

Available in: White Tubes & Clear Cartridges 

Coverage: 93g sufficient for 1 x 914mm sills.
310g sufficient for 3 x 914mm sills.



PROTECTIVE COVER & CAPS

- Code: 20 CP 188 Proline AM3 Protective Cover

- Helps to preserve the anodising from scratches, damage and mortar staining when a first fix on site is required.

Available in: Black PVC 

Sizes: 900mm, 1m, 2m

- Code: 26 CP 296 Corner Protectors (pair) AM3/AM3EX ECO 3000

- Helps to protect the exposed corners.

Available in: Black PVC 

End Cap

- Code: 22 CP 135 Proline AM3 and AM3EX End Caps (pair)

- Code: 22 CP 136 Eco 3000 End Caps (pair)

- Code: 22 CP 137 UPVC Infill End Caps (pair)

- Code: 22 CP 244 Proline AM5EX End Caps (pair)

- Code: 22 CP 245 Infill Base Bar 45 End Caps (pair)

- Code: 22 CP 246 Infill Base Bar 51 End Caps (pair)

- Code: 22 CP 246 Infill Base Bar 54 End Caps (pair)

- Code: 22 CP 328 Masterguard 51 End Caps (pair)

- Code: 22 CP 383 Proline AM5JX End Caps (pair)

- Code: 22 CP 384 Slimline Wide End Caps (pair)

- Closes off the open ends of the threshold sill or infill. Enhances the appearance of the door set.

Available in: Black PVC 

- Code: 04 CP 133 Head Cap

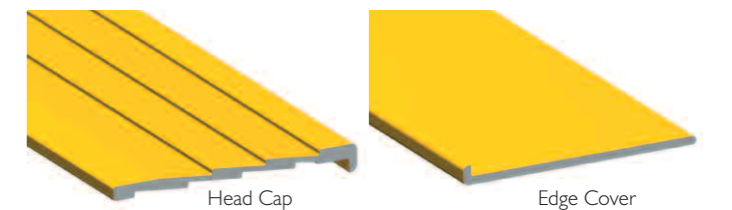
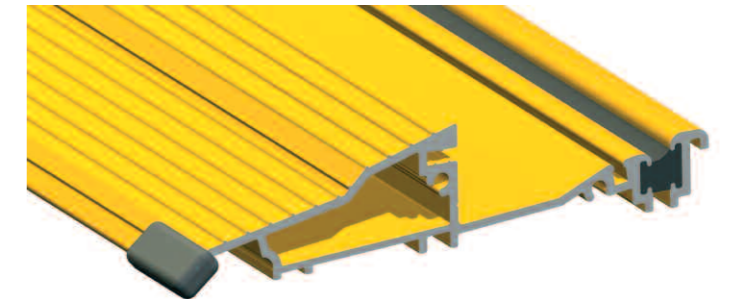
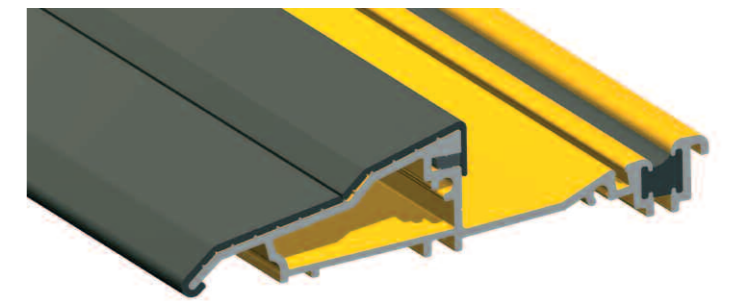
- Code: 20 CP 400 Edge Cover

- Seals the top or bottom of composite doors after machining.

Available in: Mill Finish Aluminium 

Gold Effect Aluminium 

Sizes: Up to 1m



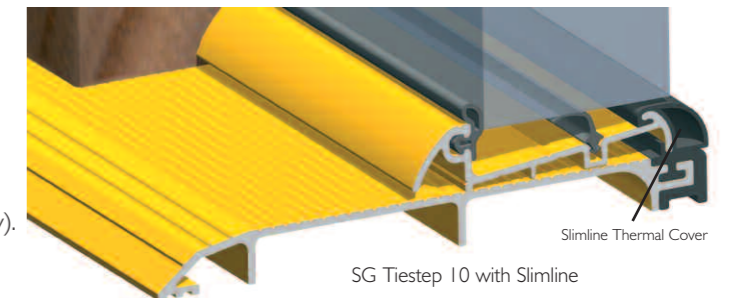
SLIMLINE THERMAL COVER

- Code: 20 CP 406

- Thermal barrier to reduce thermal transfer and the risk of condensation forming on the inside of Slimline products.
- Suitable for Slimline, Slimline Wide, SG2000 (inward opening only).

Available in: Black PVC 

Sizes: Up to 3053mm



SG TIESTEP & SG TIESTEP 10

- Code: 04 CP 344 SG Tiestep

- Code: 04 CP 407 SG Tiestep 10

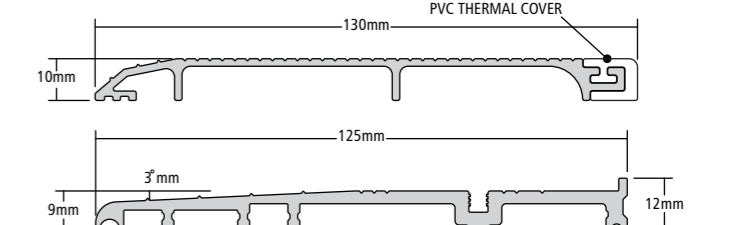
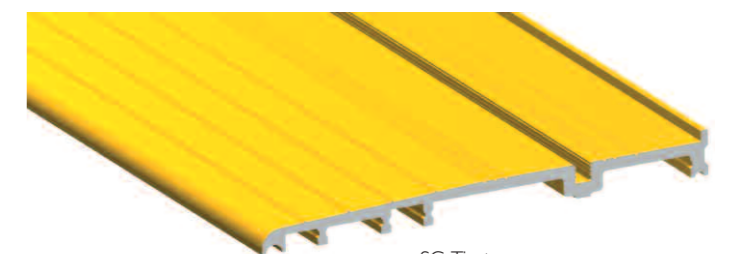
- Complies with Part 'M' of the Building Regulations.
- Supplied with slide on thermal cover to reduce thermal transfer. (SG Tiestep only).
- Suitable for the majority of our Part 'M' compliant inward opening thresholds.

Available in: Mill Finish Aluminium 

Gold Effect Aluminium 

Sizes: 3053mm

For all info on SG Tiestep 10, please visit www.stormguard.co.uk



SLIK SLIDING DOOR GEAR

Slik Sliding Door Gear has been developed to provide systems for a range of domestic purposes. It is easy to use, simple to fit, and built to last.

- Space and heat saving.
- Easy to fit.
- Smooth running.
- Very robust.
- Assembled without grooving the bottom doors.
- Fully adjustable.
- Fitted without cutting or altering carpets.

We supply domestic sliding door gear systems for the following applications:

- Wardrobe Doors (doors which bypass each other).
- Sliding Doors.
- Folding Doors (also known as Bi-Fold doors).
- Cupboard Doors.

To order Slik Sliding Door Gear, please contact:

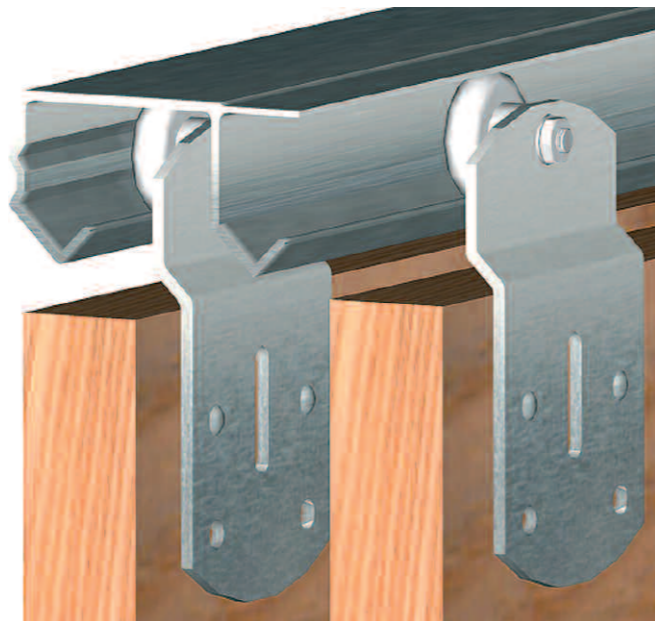
Allmand-Smith Ltd

Regency Mill, Chester Road, Macclesfield, Cheshire SK11 8HR

Tel: 01625 613311 Fax: 01625 614434

Email: reception@stormguard.co.uk

Website: www.stormguard.co.uk



ALUMINIUM RAINWATER SYSTEM

Stormguard Rainwater System offers a fully comprehensive range of extruded, pressed and fabricated metal water systems for every type of building.

Our 'Eclipse' products and systems range from wall copings, cappings, flashings and general requirements of both a standard and customer designed nature and are available in a choice of polyester powder coated colours.

- Box Gutter.
- Half-rounded Beaded Gutter.
- Moulded Ogee Gutter.
- Circular Rainwater Pipes.
- Square and Rectangular Rainwater Pipes.
- Security Pipes.
- 'Eclipse' Fascia and Soffit.

To order Rainwater System, please contact:

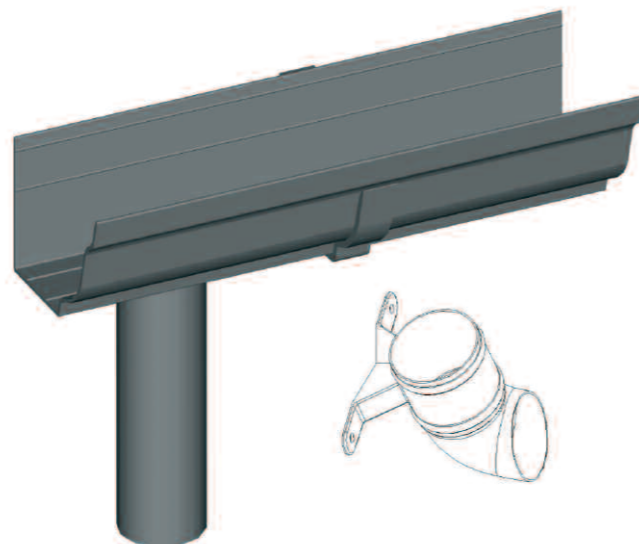
Stormguard Rainwater

Augustus Mill, Buckley Street,
Macclesfield, Cheshire SK11 8UH

Tel: 01625 665096 Fax: 01625 665097

Email: rainwater@stormguard.co.uk

Website: www.stormguardrainwater.co.uk



STORMGUARD DISPLAY STANDS

FOR RETAIL AND TRADE OUTLETS THROUGHOUT THE UK



For sales and enquiries call
01625 613311

Fax: 01625 614434 E-mail: customerservice@stormguard.co.uk Website: www.stormguard.co.uk

THE STORMGUARD GROUP, Regency Mill, Chester Road, Macclesfield, Cheshire SK11 8HR