

architectural
commercial
industrial

National
Seal Systems
Limited

Uniclass	EPIC
L418	D18
CI/SfB	
(31.59)	X

Vistafold Timber hardware



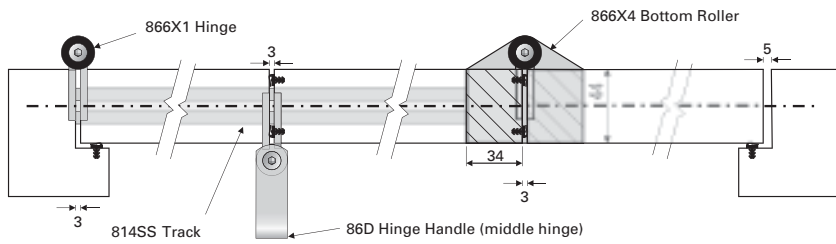
A range of door hardware specially designed for timber sliding and folding door systems

Vistafold Timber 44

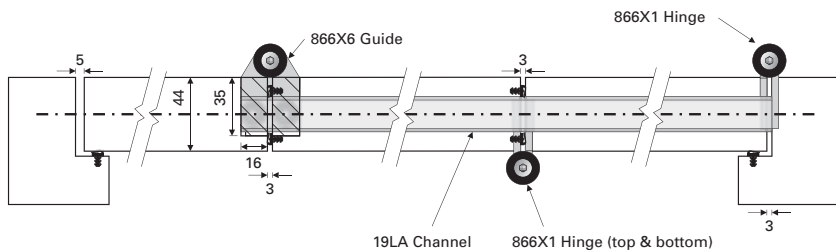
Bottom rolling system for external folding/sliding doors

Maximum leaf width	900 mm
Maximum leaf height	2700 mm
Maximum leaf weight	70 kg
Recommended door thickness	44 mm

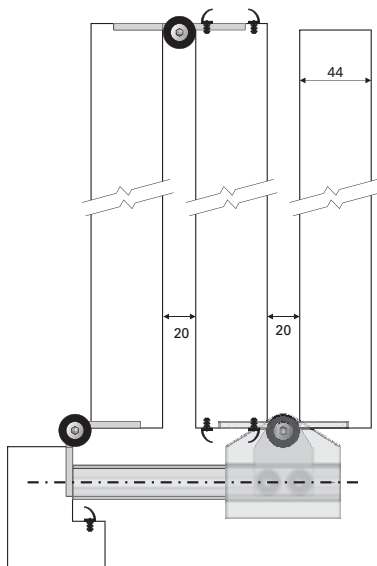
3 Door layout showing top detail



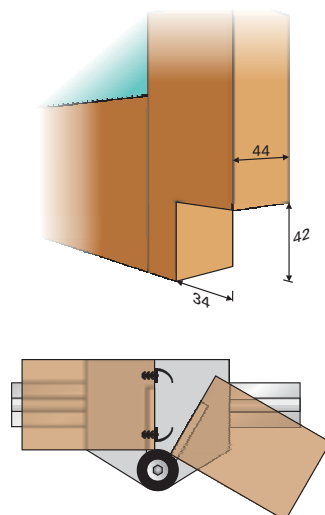
3 Door layout showing bottom detail



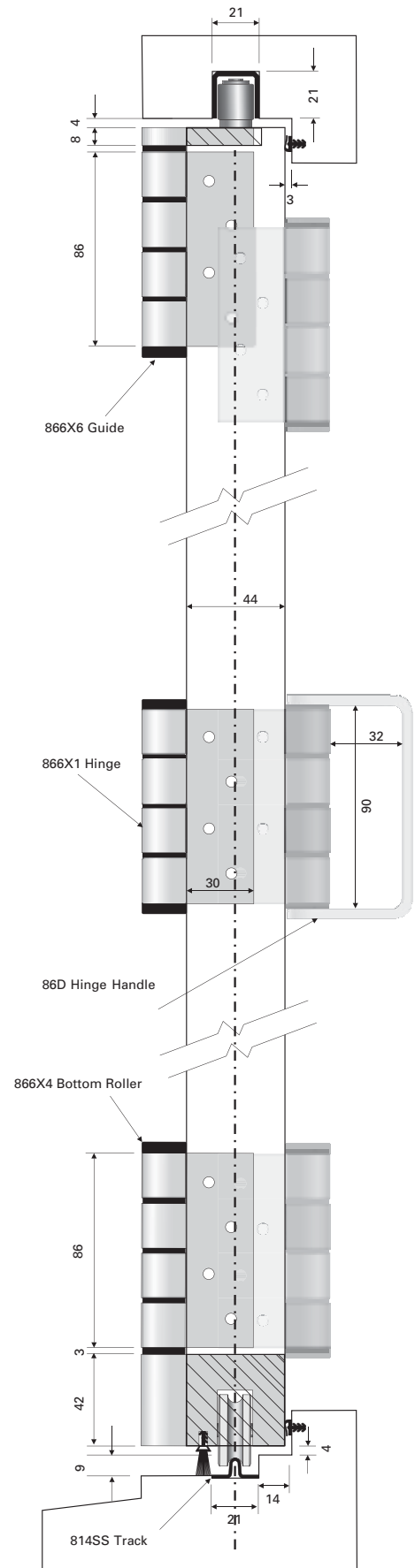
Doors in folded position



Bottom Roller cut-out details



End view door details



Bottom Rolling System

Minimum structural support above the opening is required. The doors are easy to operate and low maintenance.

In-Line System

Both top and bottom tracks run in-line with the building structure and are therefore not visible when the doors are closed. This not only enhances the appearance but increases weather resistance and security.

Flexibility

Inward and outward opening, rebated or flat threshold and always a swing door for access when not folded back. Corner applications can also be created. Finally a choice of silver or gold anodised hardware.

Versatility

We can provide alternative hardware

for aluminium doors. Please contact our sales office for details.

Robust Ironmongery

The load bearing bottom rollers have sealed for life ball bearings within the stainless steel wheel. All the hardware is highly durable and the hinges and rollers have a 25 micron anodized finish which is suitable for all applications including coastal.

Weather testing

The Vistafold Timber Hardware has been fully weather tested to BS 6375; Part 1:2004 in conjunction with good quality doors manufactured as per our recommendations.

Cost

Vistafold Timber is very competitively priced and both finishes are the same price.

How to choose and order the correct hardware.

Ordering the correct hardware could not be simpler. Please follow this guide:

- 1: Select your required layout from the options shown below.
- 2: Make a note of the codes shown by your chosen layout and decide on silver or gold finish.
- 3: Post, fax or email your order to us with these codes along with any further extras required.

Email sales@barrier-components.co.uk
Fax **0800 136 349**



Example of 1X3D

Door tolerances

Gaps between doors/
jamb when closed:

Jamb - Door 1	3mm
Door 1 - Door 2	3mm
Door 2 - Door 3	3mm
Door 3 - Jamb	5mm
Internal door face to frame when closed	3mm
Gap at top and bottom of the doors	4mm

Hingepoint to hingepoint must be identical on leaves 1 and 2 (3 & 4 if 5 leaves used).

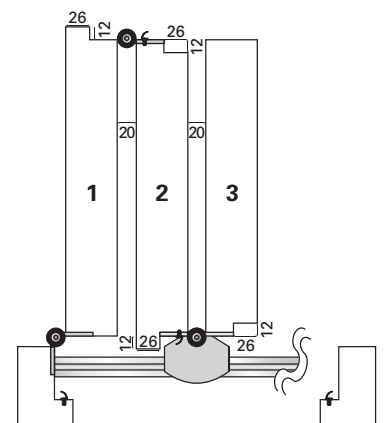
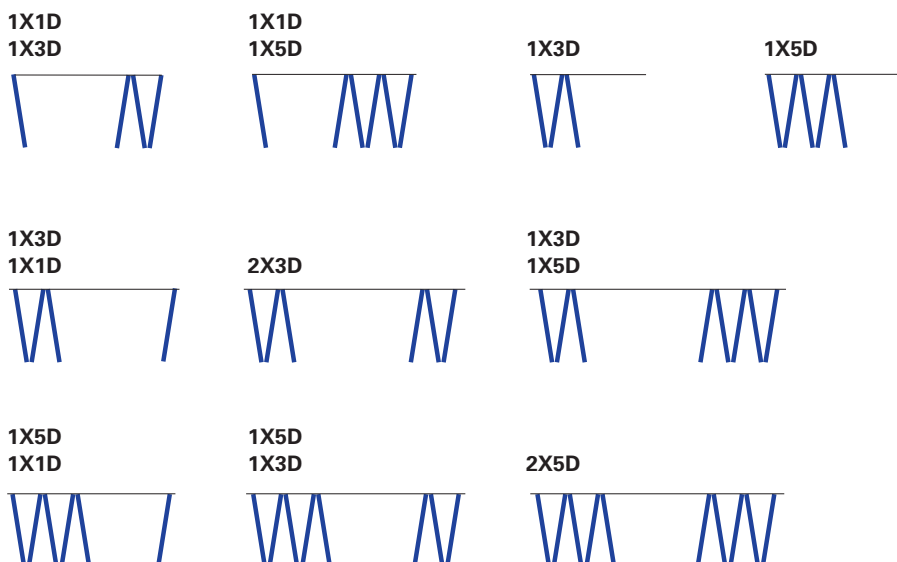
Leaf 3 (5) may be larger than others if required but no more than 900mm wide.

Component list

Component	3 door kit (3D)	5 door kit (5D)	Single door (1D)
19LA Channel	1 x 1800mm	1 x 3600mm	n/a
866X6 Top Guide	1	2	n/a
866X6 Butt Hinge	6	9	3
86D Hinge Handle	1	2	n/a
866X4 Roller (44 or 56)	1	2	n/a
814SS Stainless Steel Track	1 x 1800mm	1 x 3600mm	n/a
Flush Bolts	2	4	2
Magnetic Holdback Catch	1	1	n/a
Weatherseal	25m	50m	n/a
Brush Strip	3 x 900mm	5 x 900mm	1 x 900mm

N.B. Locks not supplied.

Vistafold layout options



Vistafold Timber 56

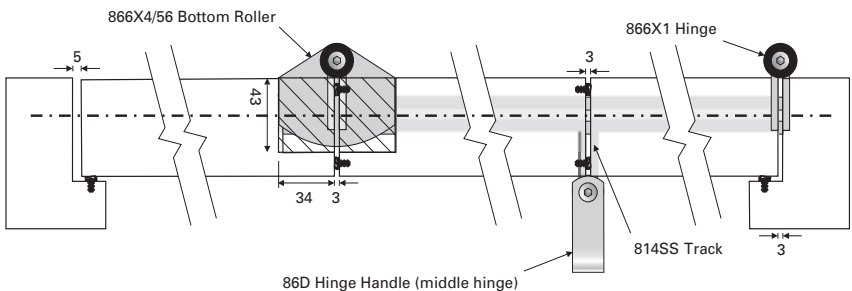
Bottom rolling system for external folding/sliding doors

Maximum leaf width	900 mm
Maximum leaf height	2700 mm
Maximum leaf weight	70 kg
Recommended door thickness	56-65 mm

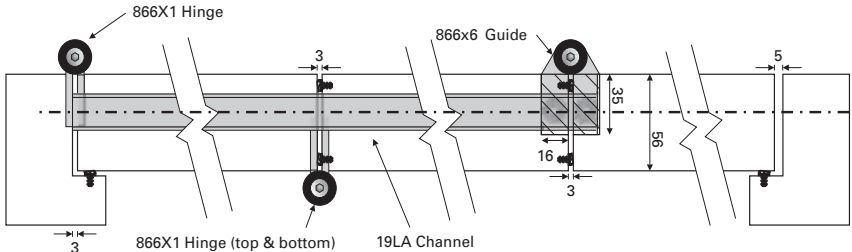
End view door details



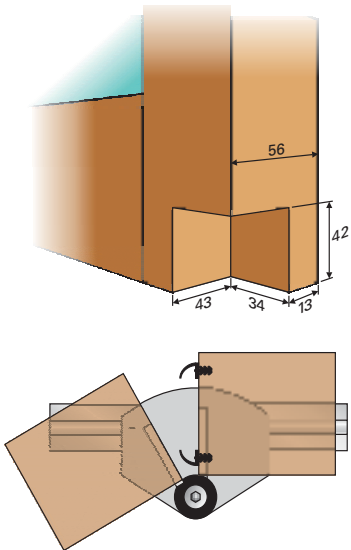
3 Door layout showing top detail



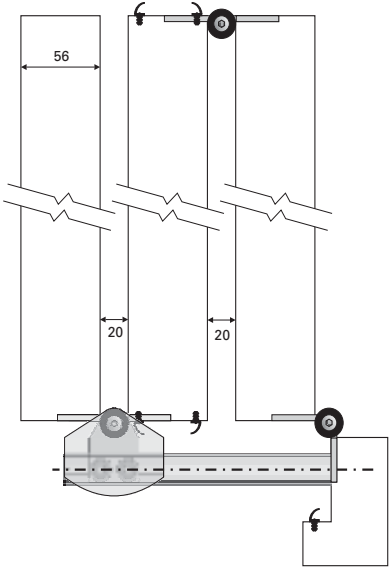
3 Door layout showing bottom detail



Bottom Roller cut-out details

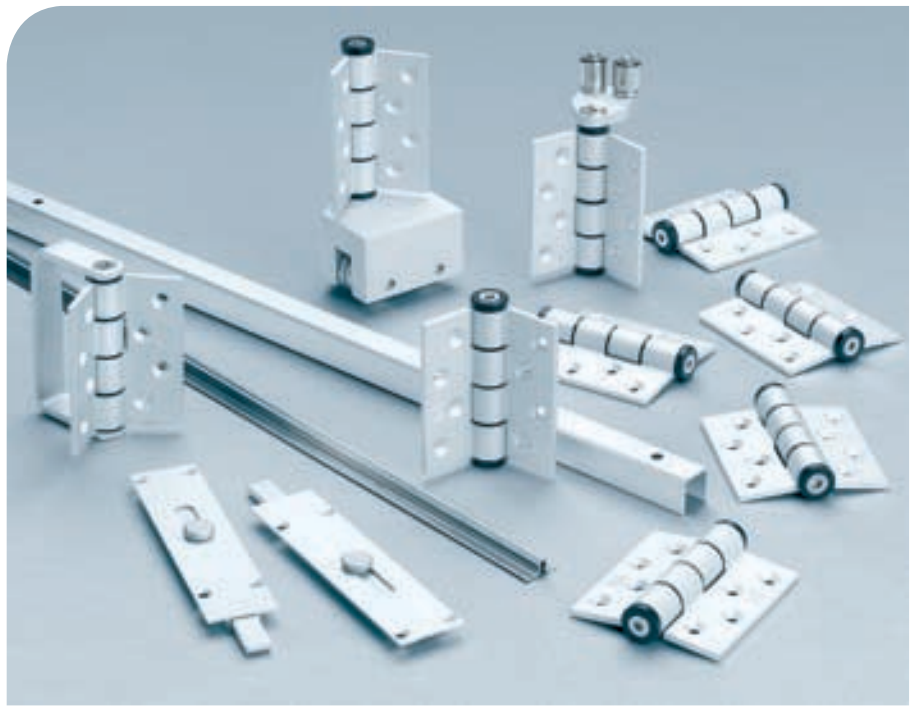


Doors in folded position



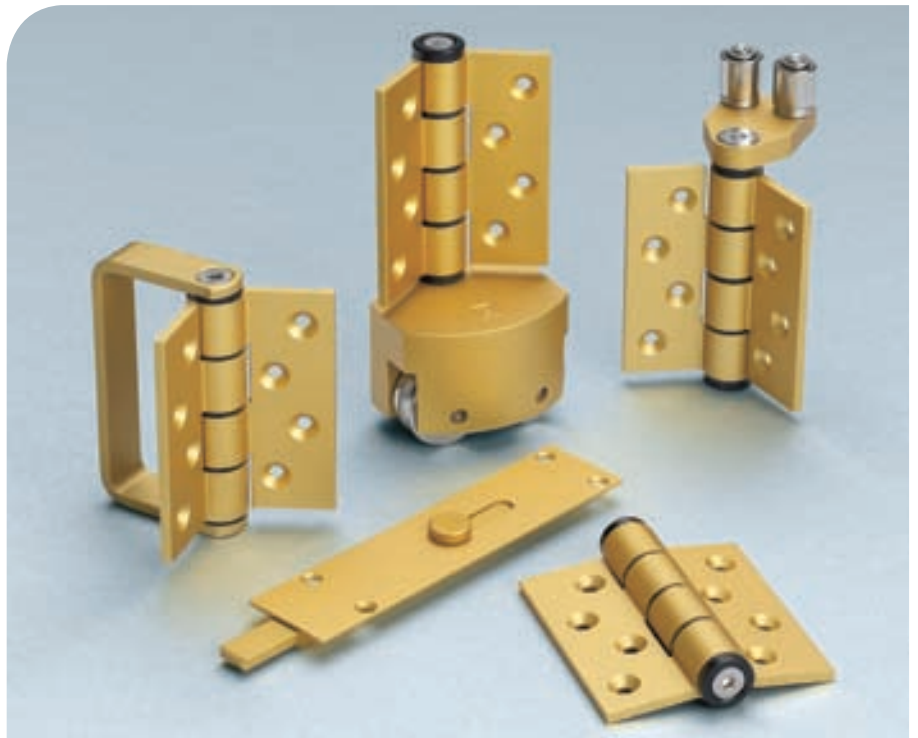
Vistafold Timber 44

Hardware kit for option 3D



Vistafold Timber 56

Optional gold anodised hardware featuring Timber 56 Roller



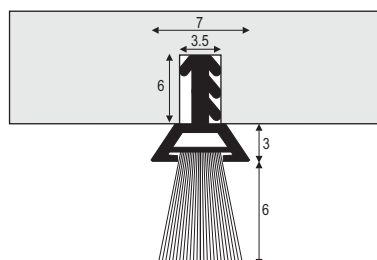
815L Track 25mm x 8mm

Alternative track arrangement for flat threshold. Supplied at extra cost. Please specify when ordering



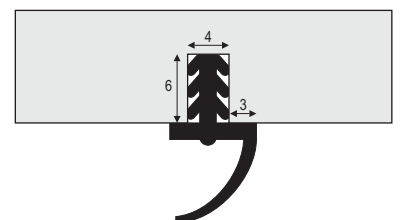
Brush Seal

Supplied in the standard kits

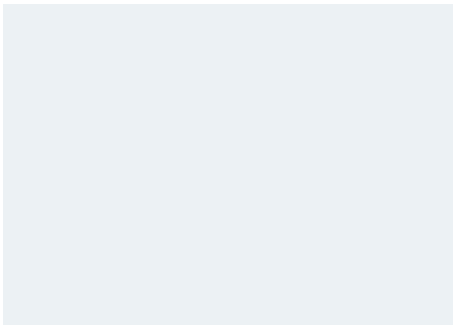
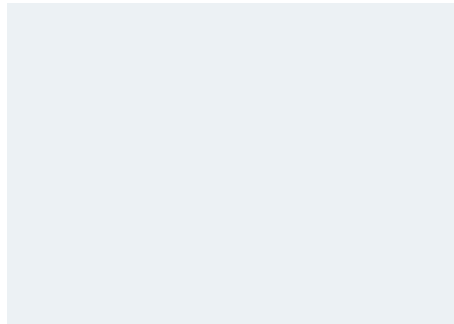
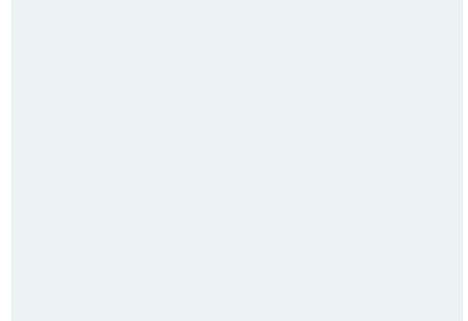
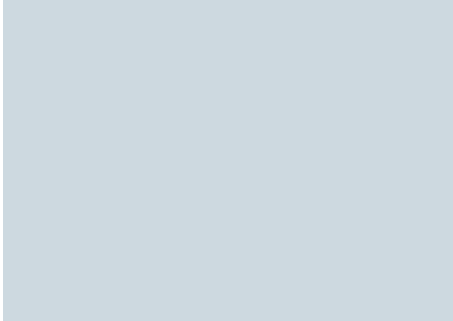
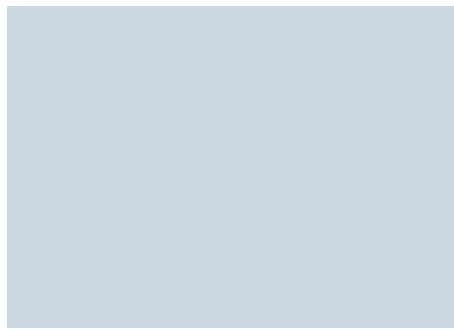


P.V.C Seal

Supplied in the standard kits



architectural
commercial
industrial



 **National
Seal Systems
Limited**

*Unit 210 Holly Road, Western Industrial Estate.
Naas Road, Dublin 12
Ph 00353-1-4565170 Fax 00353-1-4502371
Email: info@nationalseal.ie web: www.nationalseal.ie*