



* Registered trademark of Schlegel Corporation

Why Draught-proof and Weatherseal?

Draughts through windows and doors in an uninsulated building can account for as much as 10-15% heat loss. Weathersealing makes a building more comfortable, because the heat is retained in the room, which means the heating controls can be turned down. It can stop doors and windows rattling and may even make them easier to open and shut. It also lessens the chances of corrosion and decay by excluding rain and wind, not to mention dust and some noise.

1. Energy Saving

By effectively sealing poor fitting windows and door, Q-LON weatherseals can save up to 15% on general fuel bills.

2. Noise Reduction

By reducing airflow, weatherseals can cut down general traffic noise through street facing doors and windows. Likewise, sound levels in offices near noisy production lines or factory units can be reduced.

3. Cost Efficient Maintenance

Replacement of draughty doors and windows is costly. The Q-LON range is not affected by paint or stain and weathersealing helps spread this cost by maintaining its performance.

4. Simple to Fit

Pin fixed to the frame or opening light - Q-LON Retrofit weatherseals require little training to fit.



Why Specify Q-LON?

Q-LON WEATHERSEALS HAVE
MANY UNIQUE FEATURES
MAKING THEM ATTRACTIVE
TO SPECIFIERS, INSTALLERS AND
END USERS ALIKE

*

Aesthetic

*

Paintable

*

Stainable

*

Minimum 10 year lifespan

*

Excellent memory

*

Low friction characteristics

*

BS7386 (1997) conformity

*

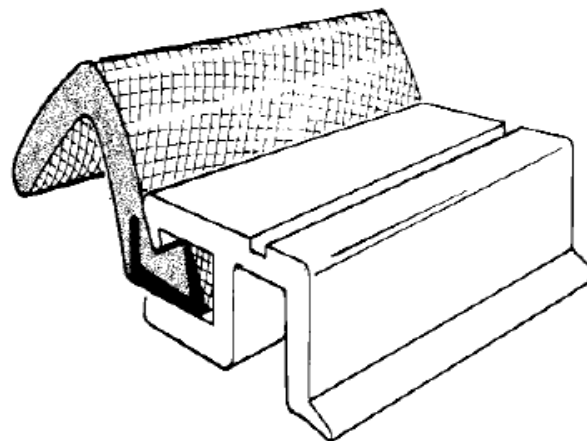
IS9001 quality guaranteed



External Q-Lon Seals

Product Range Features

- * Seal performance - not affected by painting over.
- * Low density cellular core encased in
- * Low friction liner : gives low closing force for ease of operation.
- * Flexible secondary seal - second line of defence against weather.
- * Also available in 'L' carrier format in PVC-u. Retro 21 (L) (also available in aluminium with mill or anodised finish).
- * Minimum 10 year life span.



Q-LON RETRO 21B

• DOOR AND WINDOW PERIMETER SEAL
BS7386 (1997) CLASS 1

Product Applications

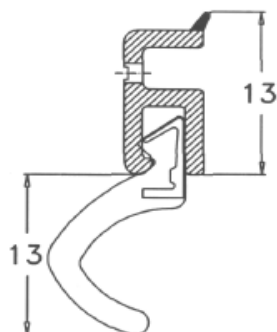
- * External and internal door seals.
- * Perimeters of badly warped timber casement windows.

Product Specification

- * Supplied in 2.05 metre lengths. Carrier is rigid high impact PVC-u (white or dark brown) pre-punched at 150mm centres.
25mm Stainless Steel fixing pins.

Performance Benefits

- * More easily compressed for greater ease of door operation.
- * Resists dirt and grime.
- * Excellent memory - returns to original shape after compression.
- * Reaches out - to cope with seasonal gap size changes of up to 6mm.
- * U.V. light stable.

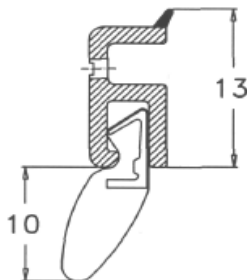
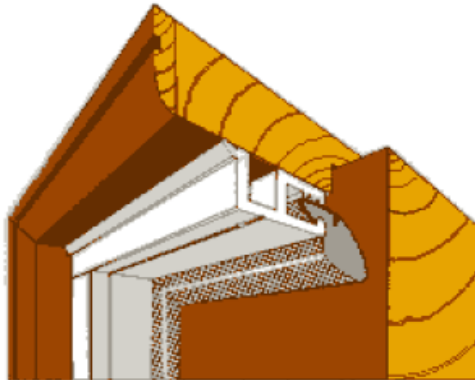
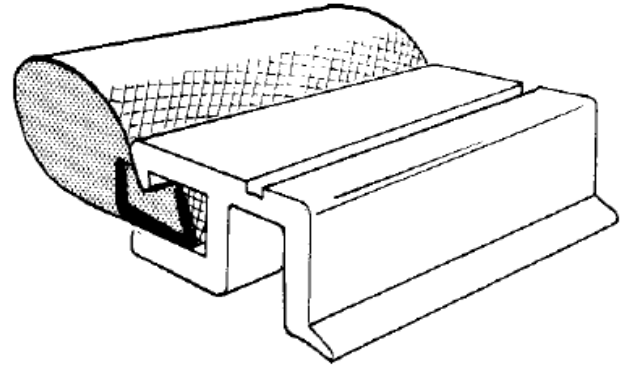




Internal Q-Lon Seals

Product Range Features

- * Deflection seal reduces closing forces for ease of operation
- * Seal performance - not affected by painting over
- * Low density cellular core encased in low friction liner - gives low closing force for ease of operation
- * Flexible secondary seal - second line of defence against weather
- * Tough PVC-u 'Box' carrier format
- * Minimum 10 year life time



Q-LON RETRO B

DOOR AND WINDOW SEAL
BS7386 (1997) CLASS 2

Product Applications

- * Internal door seals
- * Perimeters of timber casement windows
- * Vertical sliding sash timber windows
- * Loft hatches and trap doors

Product Specification

- * Supplied in 2.05 metre lengths. Carrier is rigid high impact PVC-u (white or dark brown) pre-punched at 150mm centres, 25mm stainless steel fixing pins

Performance Benefits

- * More easily compressed for greater ease of door operation
- * Resists dirt and grime
- * Excellent memory - returns to original shape after compression
- * U.V. light stable

STARSEAL DOOR BOTTOM BRUSH

Product Description

- a. Tough aluminium or PVC-U carrier, straight or angled
- b. Resilient brush 25mm standard length
- c. Pre-punched carrier for speedy installation

Product Applications

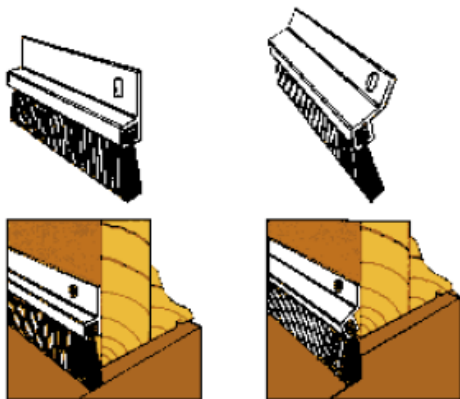
- * To door bottoms
- * To meeting stiles of double doors
- * To all sides of wicket doors

Product Specification

- * PVC-U in white or brown. Aluminium in mill, anodised and gold finishes
- * Supplied in widths of 0.914 m and 0.840m (Aluminium carrier is also available in 2.1m)
- * Brush length is 25mm
- * End-caps supplied with PVC-U items
- * Supplied with dome-headed fixing screws

Performance Benefits

- * Extra reach of 25mm standard brush, seals large gaps as well as small
- * Extra holes at one end of carrier gives ease of installation after cutting
- * Independent movement of filament seals against uneven surfaces
- * Punched carrier gives movement up or down on fixing to accommodate varying gap sizes
- * Rustless carrier and beading
- * Thick brush seals against draughts and helps seal against water
- * Contoured carrier - will not harbour dust
- * Unobtrusive - blends into the bottom of the door
- * Aluminium carrier - gives extra durability extending lifespan



Door bottom on Sill

Flush Threshold

LETTERBOX SEAL

Product Applications

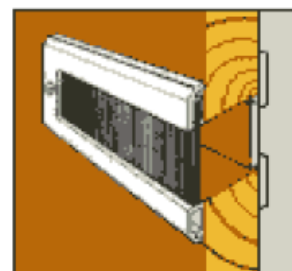
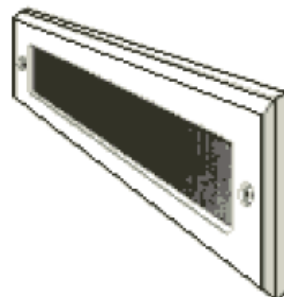
- * For horizontal and vertical letterbox seals
- * Alternative Seal - includes superior flapped letterbox seal

Product Specification

- * Supplied in white or brown with black brush
- * Single or Double Brush
- * Supplied with countersunk fixing screws

Performance Benefits

- * Two and Four hole fixing available
- * Rigid back - gives extra strength and barrier against draught
- * Brush will always retain original shape
- * Countersunk screw holes - so that screws do not protrude outside carrier
- * Moulded carrier has fractional curve design to ensure snug fit on door after screws have been tightened home



National
Seal Systems
Limited

Unit 210 Holly Road, Western Ind. Estate, Naas Road, Dublin 12.

Ph 01-4565170 Fx 014502371 Email info@nationalseal.ie

Web: www.nationalseal.ie