

**National  
Seal Systems  
Limited**

*Unit 210 Holly Road, Western Industrial Estate.  
Naas Road, Dublin 12  
Ph 00353-1-4565170 Fax 00353-1-4502371  
Email: [info@nationalseal.ie](mailto:info@nationalseal.ie) web: [www.nationalseal.ie](http://www.nationalseal.ie)*

Roof Glazing  
Systems



## QUALITY

### Quality Assurance Policy

Our company objective is to strive for 100% customer satisfaction in the products and services that we supply. In order to achieve this aim we have set up the following policy which is implemented at all levels of our business activities.

Clear Amber is committed at all levels to ensure that:-

- Products supplied to our customers can be traced back to their source.
- At every stage from taking an order through to its final despatch, documentation shall include dates, times and operative's names who were involved.
- Staff involved at every level of order processing are rewarded according to 100% customer satisfaction.
- All errors shall be rectified promptly to the customer's satisfaction excepting consequential loss and as in our Terms & Conditions which are available upon request.
- Where an error has occurred, processes or products are reviewed to eliminate any possibility of further errors occurring.
- All quality records and systems are regularly reviewed in the light of performance in order to achieve our company objective.

## ENVIRONMENTAL

### Environmental Policy

Our Company objective is to ensure that our products and services do not impact or affect the environmental in any harmful way that can be avoided. In addition to this any unavoidable activity is monitored to ensure that it is minimised. In order to achieve this, the following Policy has been established.

Clear Amber is committed at all levels to ensure that:-

- Any risk of pollution arising from our activities, products or services is identified and then either eliminated or effectively controlled to meet or exceed all regulatory requirements relating to the environment.
- All unnecessary use of materials resources and energy or adverse effects caused as a result of our activities, are minimised, adopting the principle of BATNEEC (Best available techniques not entailing excessive costs).
- Waste is managed, recycled as far as practicably possible and reduced to a minimum.
- Employees are trained on the importance and implementation of our Environmental Policy.
- Sub-contractors are made aware and agree to comply with this policy.
- Suppliers provide an environmentally friendly solution for all products and services provided by them.
- We regularly review this policy in the light of knowledge and changing legislation or public concerns.



roof glazing  
bar system

# ...SIMPLY EFFECTIVE ROOF GLAZING



ALUKAP®-XR



[www.clearamber.com](http://www.clearamber.com)

tel: 0845 384 4444  
email: [sales@clearamber.com](mailto:sales@clearamber.com)

### Common Uses

- Roof Lights
- Orangeries
- Conservatories
- Car Ports
- Canopies
- Covered Walkways

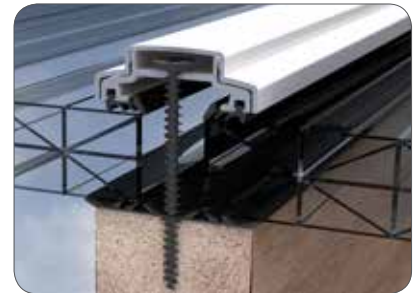
### Benefits

- Faster System to Fit
- Improved Aesthetics
- Superior Water Proofing
- More Installer Friendly
- No Plastic Connectoins
- Concealed Fixings

# ALUKAP®-XR

### ALUKAP-XR : 45mm Bar

This neat 45mm Alukap-XR glazing bar is an excellent solution to compliment 45mm timber rafters. Despite its petite nature, it offers surprisingly substantial sight lines providing impressive aesthetics to the glazing structure. The secret-fix security aluminium end cap system prevents the top section from slippage and many clients say that they have even used to prevent the glazing itself from slipping down moderately sloped roofs. Users must carry out their own tests on the site specific loadings to satisfy themselves that this structurally acceptable for each particular application.



### Alukap®-XR System 45mm Bars : Without Rafter Gasket

| Code    | Description                                |
|---------|--|
| AKX220W | Alukap-XR 45mm Bar 3.0m No RG WH Alu E/Cap |
| AKX220B | Alukap-XR 45mm Bar 3.0m No RG BR Alu E/Cap |
| AKX220P | Alukap-XR 45mm Bar 3.0m No RG PC Alu E/Cap |
| AKX222W | Alukap-XR 45mm Bar 3.6m No RG WH Alu E/Cap |
| AKX222B | Alukap-XR 45mm Bar 3.6m No RG BR Alu E/Cap |
| AKX222P | Alukap-XR 45mm Bar 3.6m No RG PC Alu E/Cap |
| AKX224W | Alukap-XR 45mm Bar 4.8m No RG WH Alu E/Cap |
| AKX224B | Alukap-XR 45mm Bar 4.8m No RG BR Alu E/Cap |
| AKX224P | Alukap-XR 45mm Bar 4.8m No RG PC Alu E/Cap |
| AKX226W | Alukap-XR 45mm Bar 6.0m No RG WH Alu E/Cap |
| AKX226B | Alukap-XR 45mm Bar 6.0m No RG BR Alu E/Cap |
| AKX226P | Alukap-XR 45mm Bar 6.0m No RG PC Alu E/Cap |

### Alukap®-XR System 45mm Bars : With 45mm Rafter Gasket

| Code    | Description                                  |
|---------|--|
| AKX228W | Alukap-XR 45mm Bar 3.0m 45mm RG WH Alu E/Cap |
| AKX228B | Alukap-XR 45mm Bar 3.0m 45mm RG BR Alu E/Cap |
| AKX228P | Alukap-XR 45mm Bar 3.0m 45mm RG PC Alu E/Cap |
| AKX230W | Alukap-XR 45mm Bar 3.6m 45mm RG WH Alu E/Cap |
| AKX230B | Alukap-XR 45mm Bar 3.6m 45mm RG BR Alu E/Cap |
| AKX230P | Alukap-XR 45mm Bar 3.6m 45mm RG PC Alu E/Cap |
| AKX232W | Alukap-XR 45mm Bar 4.8m 45mm RG WH Alu E/Cap |
| AKX232B | Alukap-XR 45mm Bar 4.8m 45mm RG BR Alu E/Cap |
| AKX232P | Alukap-XR 45mm Bar 4.8m 45mm RG PC Alu E/Cap |
| AKX234W | Alukap-XR 45mm Bar 6.0m 45mm RG WH Alu E/Cap |
| AKX234B | Alukap-XR 45mm Bar 6.0m 45mm RG BR Alu E/Cap |
| AKX234P | Alukap-XR 45mm Bar 6.0m 45mm RG PC Alu E/Cap |



[www.clearamber.com](http://www.clearamber.com)

**National  
Seal Systems  
Limited**

## Alukap®-XR System 45mm Bars : With 45mm Slot-fit Rafter Gasket

| Code    | Description   |
|---------|---|
| AKX236W | Alukap-XR 45mm Bar 3.0m 45mm SL Fit RG WH Alu E/Cap |
| AKX236B | Alukap-XR 45mm Bar 3.0m 45mm SL Fit RG BR Alu E/Cap |
| AKX236P | Alukap-XR 45mm Bar 3.0m 45mm SL Fit RG PC Alu E/Cap |
| AKX238W | Alukap-XR 45mm Bar 3.6m 45mm SL Fit RG WH Alu E/Cap |
| AKX238B | Alukap-XR 45mm Bar 3.6m 45mm SL Fit RG BR Alu E/Cap |
| AKX238P | Alukap-XR 45mm Bar 3.6m 45mm SL Fit RG PC Alu E/Cap |
| AKX240W | Alukap-XR 45mm Bar 4.8m 45mm SL Fit RG WH Alu E/Cap |
| AKX240B | Alukap-XR 45mm Bar 4.8m 45mm SL Fit RG BR Alu E/Cap |
| AKX240P | Alukap-XR 45mm Bar 4.8m 45mm SL Fit RG PC Alu E/Cap |
| AKX242W | Alukap-XR 45mm Bar 6.0m 45mm SL Fit RG WH Alu E/Cap |
| AKX242B | Alukap-XR 45mm Bar 6.0m 45mm SL Fit RG BR Alu E/Cap |
| AKX242P | Alukap-XR 45mm Bar 6.0m 45mm SL Fit RG PC Alu E/Cap |

## Alukap®-XR System 45mm Bars : With 55mm Rafter Gasket

| Code    | Description                                  |
|---------|--|
| AKX244W | Alukap-XR 45mm Bar 3.0m 55mm RG WH Alu E/Cap |
| AKX244B | Alukap-XR 45mm Bar 3.0m 55mm RG BR Alu E/Cap |
| AKX244P | Alukap-XR 45mm Bar 3.0m 55mm RG PC Alu E/Cap |
| AKX246W | Alukap-XR 45mm Bar 3.6m 55mm RG WH Alu E/Cap |
| AKX246B | Alukap-XR 45mm Bar 3.6m 55mm RG BR Alu E/Cap |
| AKX246P | Alukap-XR 45mm Bar 3.6m 55mm RG PC Alu E/Cap |
| AKX248W | Alukap-XR 45mm Bar 4.8m 55mm RG WH Alu E/Cap |
| AKX248B | Alukap-XR 45mm Bar 4.8m 55mm RG BR Alu E/Cap |
| AKX248P | Alukap-XR 45mm Bar 4.8m 55mm RG PC Alu E/Cap |
| AKX250W | Alukap-XR 45mm Bar 6.0m 55mm RG WH Alu E/Cap |
| AKX250B | Alukap-XR 45mm Bar 6.0m 55mm RG BR Alu E/Cap |
| AKX250P | Alukap-XR 45mm Bar 6.0m 55mm RG PC Alu E/Cap |

## Alukap®-XR System 45mm Bars : With 55mm Slot-fit Rafter Gasket

| Code    | Description   |
|---------|---|
| AKX252W | Alukap-XR 45mm Bar 3.0m 55mm SL Fit RG WH Alu E/Cap |
| AKX252B | Alukap-XR 45mm Bar 3.0m 55mm SL Fit RG BR Alu E/Cap |
| AKX252P | Alukap-XR 45mm Bar 3.0m 55mm SL Fit RG PC Alu E/Cap |
| AKX254W | Alukap-XR 45mm Bar 3.6m 55mm SL Fit RG WH Alu E/Cap |
| AKX254B | Alukap-XR 45mm Bar 3.6m 55mm SL Fit RG BR Alu E/Cap |
| AKX254P | Alukap-XR 45mm Bar 3.6m 55mm SL Fit RG PC Alu E/Cap |
| AKX256W | Alukap-XR 45mm Bar 4.8m 55mm SL Fit RG WH Alu E/Cap |
| AKX256B | Alukap-XR 45mm Bar 4.8m 55mm SL Fit RG BR Alu E/Cap |
| AKX256P | Alukap-XR 45mm Bar 4.8m 55mm SL Fit RG PC Alu E/Cap |
| AKX258W | Alukap-XR 45mm Bar 6.0m 55mm SL Fit RG WH Alu E/Cap |
| AKX258B | Alukap-XR 45mm Bar 6.0m 55mm SL Fit RG BR Alu E/Cap |
| AKX258P | Alukap-XR 45mm Bar 6.0m 55mm SL Fit RG PC Alu E/Cap |



### Common Uses

- Roof Lights
- Orangeries
- Conservatories
- Car Ports
- Canopies
- Covered Walkways

### Benefits

- Faster System to Fit
- Improved Aesthetics
- Superior Water Proofing
- More Installer Friendly
- No Plastic Connectoins
- Concealed Fixings

# ALUKAP®-XR

### ALUKAP-XR : 60mm Bar

The 60mm Alukap-XR glazing bar has been developed to cope with situations where a wider cover is required. Its shape compliments the 45mm Alukap-XR bar so that both can be used on the one structure if desired. Both bars lend themselves excellently to a perfect inline joint connection without extra components allowing a far higher yield on optimisation of bar lengths which underscores one of the key the design concepts of reducing waste and cutting costs.



### Alukap®-XR System 60mm Bars : Without Rafter Gasket

| Code    | Description                                |
|---------|--|
| AKX320W | Alukap-XR 60mm Bar 3.0m No RG WH Alu E/Cap |
| AKX320B | Alukap-XR 60mm Bar 3.0m No RG BR Alu E/Cap |
| AKX320P | Alukap-XR 60mm Bar 3.0m No RG PC Alu E/Cap |
| AKX322W | Alukap-XR 60mm Bar 3.6m No RG WH Alu E/Cap |
| AKX322B | Alukap-XR 60mm Bar 3.6m No RG BR Alu E/Cap |
| AKX322P | Alukap-XR 60mm Bar 3.6m No RG PC Alu E/Cap |
| AKX324W | Alukap-XR 60mm Bar 4.8m No RG WH Alu E/Cap |
| AKX324B | Alukap-XR 60mm Bar 4.8m No RG BR Alu E/Cap |
| AKX324P | Alukap-XR 60mm Bar 4.8m No RG PC Alu E/Cap |
| AKX326W | Alukap-XR 60mm Bar 6.0m No RG WH Alu E/Cap |
| AKX326B | Alukap-XR 60mm Bar 6.0m No RG BR Alu E/Cap |
| AKX326P | Alukap-XR 60mm Bar 6.0m No RG PC Alu E/Cap |

### Alukap®-XR System 60mm Bars : With 45mm Rafter Gasket

| Code    | Description                                  |
|---------|--|
| AKX328W | Alukap-XR 60mm Bar 3.0m 45mm RG WH Alu E/Cap |
| AKX328B | Alukap-XR 60mm Bar 3.0m 45mm RG BR Alu E/Cap |
| AKX328P | Alukap-XR 60mm Bar 3.0m 45mm RG PC Alu E/Cap |
| AKX330W | Alukap-XR 60mm Bar 3.6m 45mm RG WH Alu E/Cap |
| AKX330B | Alukap-XR 60mm Bar 3.6m 45mm RG BR Alu E/Cap |
| AKX330P | Alukap-XR 60mm Bar 3.6m 45mm RG PC Alu E/Cap |
| AKX332W | Alukap-XR 60mm Bar 4.8m 45mm RG WH Alu E/Cap |
| AKX332B | Alukap-XR 60mm Bar 4.8m 45mm RG BR Alu E/Cap |
| AKX332P | Alukap-XR 60mm Bar 4.8m 45mm RG PC Alu E/Cap |
| AKX334W | Alukap-XR 60mm Bar 6.0m 45mm RG WH Alu E/Cap |
| AKX334B | Alukap-XR 60mm Bar 6.0m 45mm RG BR Alu E/Cap |
| AKX334P | Alukap-XR 60mm Bar 6.0m 45mm RG PC Alu E/Cap |



[www.clearamber.com](http://www.clearamber.com)

**National**  
Seal Systems  
**Limited**

## Alukap®-XR System 60mm Bars : With 45mm Slot-fit Rafter Gasket

| Code    | Description   |
|---------|---|
| AKX336W | Alukap-XR 60mm Bar 3.0m 45mm SL Fit RG WH Alu E/Cap |
| AKX336B | Alukap-XR 60mm Bar 3.0m 45mm SL Fit RG BR Alu E/Cap |
| AKX336P | Alukap-XR 60mm Bar 3.0m 45mm SL Fit RG PC Alu E/Cap |
| AKX338W | Alukap-XR 60mm Bar 3.6m 45mm SL Fit RG WH Alu E/Cap |
| AKX338B | Alukap-XR 60mm Bar 3.6m 45mm SL Fit RG BR Alu E/Cap |
| AKX338P | Alukap-XR 60mm Bar 3.6m 45mm SL Fit RG PC Alu E/Cap |
| AKX340W | Alukap-XR 60mm Bar 4.8m 45mm SL Fit RG WH Alu E/Cap |
| AKX340B | Alukap-XR 60mm Bar 4.8m 45mm SL Fit RG BR Alu E/Cap |
| AKX340P | Alukap-XR 60mm Bar 4.8m 45mm SL Fit RG PC Alu E/Cap |
| AKX342W | Alukap-XR 60mm Bar 6.0m 45mm SL Fit RG WH Alu E/Cap |
| AKX342B | Alukap-XR 60mm Bar 6.0m 45mm SL Fit RG BR Alu E/Cap |
| AKX342P | Alukap-XR 60mm Bar 6.0m 45mm SL Fit RG PC Alu E/Cap |

## Alukap®-XR System 60mm Bars : With 55mm Rafter Gasket

| Code    | Description                                  |
|---------|--|
| AKX344W | Alukap-XR 60mm Bar 3.0m 55mm RG WH Alu E/Cap |
| AKX344B | Alukap-XR 60mm Bar 3.0m 55mm RG BR Alu E/Cap |
| AKX344P | Alukap-XR 60mm Bar 3.0m 55mm RG PC Alu E/Cap |
| AKX346W | Alukap-XR 60mm Bar 3.6m 55mm RG WH Alu E/Cap |
| AKX346B | Alukap-XR 60mm Bar 3.6m 55mm RG BR Alu E/Cap |
| AKX346P | Alukap-XR 60mm Bar 3.6m 55mm RG PC Alu E/Cap |
| AKX348W | Alukap-XR 60mm Bar 4.8m 55mm RG WH Alu E/Cap |
| AKX348B | Alukap-XR 60mm Bar 4.8m 55mm RG BR Alu E/Cap |
| AKX348P | Alukap-XR 60mm Bar 4.8m 55mm RG PC Alu E/Cap |
| AKX350W | Alukap-XR 60mm Bar 6.0m 55mm RG WH Alu E/Cap |
| AKX350B | Alukap-XR 60mm Bar 6.0m 55mm RG BR Alu E/Cap |
| AKX350P | Alukap-XR 60mm Bar 6.0m 55mm RG PC Alu E/Cap |

## Alukap®-XR System 60mm Bars : With 55mm Slot-fit Rafter Gasket

| Code    | Description   |
|---------|---|
| AKX352W | Alukap-XR 60mm Bar 3.0m 55mm SL Fit RG WH Alu E/Cap |
| AKX352B | Alukap-XR 60mm Bar 3.0m 55mm SL Fit RG BR Alu E/Cap |
| AKX352P | Alukap-XR 60mm Bar 3.0m 55mm SL Fit RG PC Alu E/Cap |
| AKX354W | Alukap-XR 60mm Bar 3.6m 55mm SL Fit RG WH Alu E/Cap |
| AKX354B | Alukap-XR 60mm Bar 3.6m 55mm SL Fit RG BR Alu E/Cap |
| AKX354P | Alukap-XR 60mm Bar 3.6m 55mm SL Fit RG PC Alu E/Cap |
| AKX356W | Alukap-XR 60mm Bar 4.8m 55mm SL Fit RG WH Alu E/Cap |
| AKX356B | Alukap-XR 60mm Bar 4.8m 55mm SL Fit RG BR Alu E/Cap |
| AKX356P | Alukap-XR 60mm Bar 4.8m 55mm SL Fit RG PC Alu E/Cap |
| AKX358W | Alukap-XR 60mm Bar 6.0m 55mm SL Fit RG WH Alu E/Cap |
| AKX358B | Alukap-XR 60mm Bar 6.0m 55mm SL Fit RG BR Alu E/Cap |
| AKX358P | Alukap-XR 60mm Bar 6.0m 55mm SL Fit RG PC Alu E/Cap |



### Common Uses

- Roof Lights
- Orangeries
- Conservatories
- Car Ports
- Canopies
- Covered Walkways

### Benefits

- Faster System to Fit
- Improved Aesthetics
- Superior Water Proofing
- More Installer Friendly
- No Plastic Connectoins
- Concealed Fixings

# ALUKAP®-XR

### ALUKAP-XR : 45mm Gable Bar

The Alukap-XR Gable Bar is an incredibly useful system, allowing all the alignment and fixing work to be completed before snap-fixing the top section, providing a perfect finish to an area of the roof that is often seen the most.



### Alukap®-XR System 45mm Gable Bars : Without Rafter Gasket

| Code    | Description                                      |
|---------|--|
| AKX412W | Alukap-XR 45mm Gable Bar 3.0m No RG WH Alu E/Cap |
| AKX412B | Alukap-XR 45mm Gable Bar 3.0m No RG BR Alu E/Cap |
| AKX412P | Alukap-XR 45mm Gable Bar 3.0m No RG PC Alu E/Cap |
| AKX414W | Alukap-XR 45mm Gable Bar 3.6m No RG WH Alu E/Cap |
| AKX414B | Alukap-XR 45mm Gable Bar 3.6m No RG BR Alu E/Cap |
| AKX414P | Alukap-XR 45mm Gable Bar 3.6m No RG PC Alu E/Cap |
| AKX416W | Alukap-XR 45mm Gable Bar 4.8m No RG WH Alu E/Cap |
| AKX416B | Alukap-XR 45mm Gable Bar 4.8m No RG BR Alu E/Cap |
| AKX416P | Alukap-XR 45mm Gable Bar 4.8m No RG PC Alu E/Cap |
| AKX418W | Alukap-XR 45mm Gable Bar 6.0m No RG WH Alu E/Cap |
| AKX418B | Alukap-XR 45mm Gable Bar 6.0m No RG BR Alu E/Cap |
| AKX418P | Alukap-XR 45mm Gable Bar 6.0m No RG PC Alu E/Cap |

Note: Illustration shows 60mm version. 45mm version uses the same size 60mm top clip with 45mm version base bar

### Alukap®-XR System 45mm Gable Bars : With 45mm Rafter Gasket

| Code    | Description  |
|---------|--|
| AKX420W | Alukap-XR 45mm Gable Bar 3.0m 45mm RG WH Alu E/Cap |
| AKX420B | Alukap-XR 45mm Gable Bar 3.0m 45mm RG BR Alu E/Cap |
| AKX420P | Alukap-XR 45mm Gable Bar 3.0m 45mm RG PC Alu E/Cap |
| AKX422W | Alukap-XR 45mm Gable Bar 3.6m 45mm RG WH Alu E/Cap |
| AKX422B | Alukap-XR 45mm Gable Bar 3.6m 45mm RG BR Alu E/Cap |
| AKX422P | Alukap-XR 45mm Gable Bar 3.6m 45mm RG PC Alu E/Cap |
| AKX424W | Alukap-XR 45mm Gable Bar 4.8m 45mm RG WH Alu E/Cap |
| AKX424B | Alukap-XR 45mm Gable Bar 4.8m 45mm RG BR Alu E/Cap |
| AKX424P | Alukap-XR 45mm Gable Bar 4.8m 45mm RG PC Alu E/Cap |
| AKX426W | Alukap-XR 45mm Gable Bar 6.0m 45mm RG WH Alu E/Cap |
| AKX426B | Alukap-XR 45mm Gable Bar 6.0m 45mm RG BR Alu E/Cap |
| AKX426P | Alukap-XR 45mm Gable Bar 6.0m 45mm RG PC Alu E/Cap |



[www.clearamber.com](http://www.clearamber.com)

**National  
Seal Systems  
Limited**



## Alukap®-XR System 45mm Gable Bars : With 45mm Slot-fit Rafter Gasket

| Code    | Description   |
|---------|---|
| AKX428W | Alukap-XR 45mm Gable Bar 3.0m 45mm SL Fit RG WH Alu E/Cap |
| AKX428B | Alukap-XR 45mm Gable Bar 3.0m 45mm SL Fit RG BR Alu E/Cap |
| AKX428P | Alukap-XR 45mm Gable Bar 3.0m 45mm SL Fit RG PC Alu E/Cap |
| AKX430W | Alukap-XR 45mm Gable Bar 3.6m 45mm SL Fit RG WH Alu E/Cap |
| AKX430B | Alukap-XR 45mm Gable Bar 3.6m 45mm SL Fit RG BR Alu E/Cap |
| AKX430P | Alukap-XR 45mm Gable Bar 3.6m 45mm SL Fit RG PC Alu E/Cap |
| AKX432W | Alukap-XR 45mm Gable Bar 4.8m 45mm SL Fit RG WH Alu E/Cap |
| AKX432B | Alukap-XR 45mm Gable Bar 4.8m 45mm SL Fit RG BR Alu E/Cap |
| AKX432P | Alukap-XR 45mm Gable Bar 4.8m 45mm SL Fit RG PC Alu E/Cap |
| AKX434W | Alukap-XR 45mm Gable Bar 6.0m 45mm SL Fit RG WH Alu E/Cap |
| AKX434B | Alukap-XR 45mm Gable Bar 6.0m 45mm SL Fit RG BR Alu E/Cap |
| AKX434P | Alukap-XR 45mm Gable Bar 6.0m 45mm SL Fit RG PC Alu E/Cap |

## Alukap®-XR System 45mm Gable Bars : With 55mm Rafter Gasket

| Code    | Description  |
|---------|--|
| AKX436W | Alukap-XR 45mm Gable Bar 3.0m 55mm RG WH Alu E/Cap |
| AKX436B | Alukap-XR 45mm Gable Bar 3.0m 55mm RG BR Alu E/Cap |
| AKX436P | Alukap-XR 45mm Gable Bar 3.0m 55mm RG PC Alu E/Cap |
| AKX438W | Alukap-XR 45mm Gable Bar 3.6m 55mm RG WH Alu E/Cap |
| AKX438B | Alukap-XR 45mm Gable Bar 3.6m 55mm RG BR Alu E/Cap |
| AKX438P | Alukap-XR 45mm Gable Bar 3.6m 55mm RG PC Alu E/Cap |
| AKX440W | Alukap-XR 45mm Gable Bar 4.8m 55mm RG WH Alu E/Cap |
| AKX440B | Alukap-XR 45mm Gable Bar 4.8m 55mm RG BR Alu E/Cap |
| AKX440P | Alukap-XR 45mm Gable Bar 4.8m 55mm RG PC Alu E/Cap |
| AKX442W | Alukap-XR 45mm Gable Bar 6.0m 55mm RG WH Alu E/Cap |
| AKX442B | Alukap-XR 45mm Gable Bar 6.0m 55mm RG BR Alu E/Cap |
| AKX442P | Alukap-XR 45mm Gable Bar 6.0m 55mm RG PC Alu E/Cap |

## Alukap®-XR System 45mm Gable Bars : With 55mm Slot-fit Rafter Gasket

| Code    | Description   |
|---------|---|
| AKX444W | Alukap-XR 45mm Gable Bar 3.0m 55mm SL Fit RG WH Alu E/Cap |
| AKX444B | Alukap-XR 45mm Gable Bar 3.0m 55mm SL Fit RG BR Alu E/Cap |
| AKX444P | Alukap-XR 45mm Gable Bar 3.0m 55mm SL Fit RG PC Alu E/Cap |
| AKX446W | Alukap-XR 45mm Gable Bar 3.6m 55mm SL Fit RG WH Alu E/Cap |
| AKX446B | Alukap-XR 45mm Gable Bar 3.6m 55mm SL Fit RG BR Alu E/Cap |
| AKX446P | Alukap-XR 45mm Gable Bar 3.6m 55mm SL Fit RG PC Alu E/Cap |
| AKX448W | Alukap-XR 45mm Gable Bar 4.8m 55mm SL Fit RG WH Alu E/Cap |
| AKX448B | Alukap-XR 45mm Gable Bar 4.8m 55mm SL Fit RG BR Alu E/Cap |
| AKX448P | Alukap-XR 45mm Gable Bar 4.8m 55mm SL Fit RG PC Alu E/Cap |
| AKX450W | Alukap-XR 45mm Gable Bar 6.0m 55mm SL Fit RG WH Alu E/Cap |
| AKX450B | Alukap-XR 45mm Gable Bar 6.0m 55mm SL Fit RG BR Alu E/Cap |
| AKX450P | Alukap-XR 45mm Gable Bar 6.0m 55mm SL Fit RG PC Alu E/Cap |



### Common Uses

- Roof Lights
- Orangeries
- Conservatories
- Car Ports
- Canopies
- Covered Walkways

### Benefits

- Faster System to Fit
- Improved Aesthetics
- Superior Water Proofing
- More Installer Friendly
- No Plastic Connectoins
- Concealed Fixings

# ALUKAP®-XR

ALUKAP-XR : 60mm Gable Bar

The Alukap-XR Gable Bar is an incredibly useful system, allowing all the alignment and fixing work to be completed before snap-fixing the top section, providing a perfect finish to an area of the roof that is often seen the most.



### Alukap®-XR System 60mm Gable Bars : Without Rafter Gasket

| Code    | Description                                      |
|---------|--|
| AKX452W | Alukap-XR 60mm Gable Bar 3.0m No RG WH Alu E/Cap |
| AKX452B | Alukap-XR 60mm Gable Bar 3.0m No RG BR Alu E/Cap |
| AKX452P | Alukap-XR 60mm Gable Bar 3.0m No RG PC Alu E/Cap |
| AKX454W | Alukap-XR 60mm Gable Bar 3.6m No RG WH Alu E/Cap |
| AKX454B | Alukap-XR 60mm Gable Bar 3.6m No RG BR Alu E/Cap |
| AKX454P | Alukap-XR 60mm Gable Bar 3.6m No RG PC Alu E/Cap |
| AKX456W | Alukap-XR 60mm Gable Bar 4.8m No RG WH Alu E/Cap |
| AKX456B | Alukap-XR 60mm Gable Bar 4.8m No RG BR Alu E/Cap |
| AKX456P | Alukap-XR 60mm Gable Bar 4.8m No RG PC Alu E/Cap |
| AKX458W | Alukap-XR 60mm Gable Bar 6.0m No RG WH Alu E/Cap |
| AKX458B | Alukap-XR 60mm Gable Bar 6.0m No RG BR Alu E/Cap |
| AKX458P | Alukap-XR 60mm Gable Bar 6.0m No RG PC Alu E/Cap |

### Alukap®-XR System 60mm Gable Bars : With 45mm Rafter Gasket

| Code    | Description  |
|---------|--|
| AKX460W | Alukap-XR 60mm Gable Bar 3.0m 45mm RG WH Alu E/Cap |
| AKX460B | Alukap-XR 60mm Gable Bar 3.0m 45mm RG BR Alu E/Cap |
| AKX460P | Alukap-XR 60mm Gable Bar 3.0m 45mm RG PC Alu E/Cap |
| AKX462W | Alukap-XR 60mm Gable Bar 3.6m 45mm RG WH Alu E/Cap |
| AKX462B | Alukap-XR 60mm Gable Bar 3.6m 45mm RG BR Alu E/Cap |
| AKX462P | Alukap-XR 60mm Gable Bar 3.6m 45mm RG PC Alu E/Cap |
| AKX464W | Alukap-XR 60mm Gable Bar 4.8m 45mm RG WH Alu E/Cap |
| AKX464B | Alukap-XR 60mm Gable Bar 4.8m 45mm RG BR Alu E/Cap |
| AKX464P | Alukap-XR 60mm Gable Bar 4.8m 45mm RG PC Alu E/Cap |
| AKX466W | Alukap-XR 60mm Gable Bar 6.0m 45mm RG WH Alu E/Cap |
| AKX466B | Alukap-XR 60mm Gable Bar 6.0m 45mm RG BR Alu E/Cap |
| AKX466P | Alukap-XR 60mm Gable Bar 6.0m 45mm RG PC Alu E/Cap |



[www.clearamber.com](http://www.clearamber.com)

**National  
Seal Systems  
Limited**

## Alukap®-XR System 60mm Gable Bars : With 45mm Slot-fit Rafter Gasket

| Code    | Description   |
|---------|---|
| AKX468W | Alukap-XR 60mm Gable Bar 3.0m 45mm SL Fit RG WH Alu E/Cap |
| AKX468B | Alukap-XR 60mm Gable Bar 3.0m 45mm SL Fit RG BR Alu E/Cap |
| AKX468P | Alukap-XR 60mm Gable Bar 3.0m 45mm SL Fit RG PC Alu E/Cap |
| AKX470W | Alukap-XR 60mm Gable Bar 3.6m 45mm SL Fit RG WH Alu E/Cap |
| AKX470B | Alukap-XR 60mm Gable Bar 3.6m 45mm SL Fit RG BR Alu E/Cap |
| AKX470P | Alukap-XR 60mm Gable Bar 3.6m 45mm SL Fit RG PC Alu E/Cap |
| AKX472W | Alukap-XR 60mm Gable Bar 4.8m 45mm SL Fit RG WH Alu E/Cap |
| AKX472B | Alukap-XR 60mm Gable Bar 4.8m 45mm SL Fit RG BR Alu E/Cap |
| AKX472P | Alukap-XR 60mm Gable Bar 4.8m 45mm SL Fit RG PC Alu E/Cap |
| AKX474W | Alukap-XR 60mm Gable Bar 6.0m 45mm SL Fit RG WH Alu E/Cap |
| AKX474B | Alukap-XR 60mm Gable Bar 6.0m 45mm SL Fit RG BR Alu E/Cap |
| AKX474P | Alukap-XR 60mm Gable Bar 6.0m 45mm SL Fit RG PC Alu E/Cap |

## Alukap®-XR System 60mm Gable Bars : With 55mm Rafter Gasket

| Code    | Description  |
|---------|--|
| AKX476W | Alukap-XR 60mm Gable Bar 3.0m 55mm RG WH Alu E/Cap |
| AKX476B | Alukap-XR 60mm Gable Bar 3.0m 55mm RG BR Alu E/Cap |
| AKX476P | Alukap-XR 60mm Gable Bar 3.0m 55mm RG PC Alu E/Cap |
| AKX478W | Alukap-XR 60mm Gable Bar 3.6m 55mm RG WH Alu E/Cap |
| AKX478B | Alukap-XR 60mm Gable Bar 3.6m 55mm RG BR Alu E/Cap |
| AKX478P | Alukap-XR 60mm Gable Bar 3.6m 55mm RG PC Alu E/Cap |
| AKX480W | Alukap-XR 60mm Gable Bar 4.8m 55mm RG WH Alu E/Cap |
| AKX480B | Alukap-XR 60mm Gable Bar 4.8m 55mm RG BR Alu E/Cap |
| AKX480P | Alukap-XR 60mm Gable Bar 4.8m 55mm RG PC Alu E/Cap |
| AKX482W | Alukap-XR 60mm Gable Bar 6.0m 55mm RG WH Alu E/Cap |
| AKX482B | Alukap-XR 60mm Gable Bar 6.0m 55mm RG BR Alu E/Cap |
| AKX482P | Alukap-XR 60mm Gable Bar 6.0m 55mm RG PC Alu E/Cap |

## Alukap®-XR System 60mm Gable Bars : With 55mm Slot-fit Rafter Gasket

| Code    | Description   |
|---------|---|
| AKX484W | Alukap-XR 60mm Gable Bar 3.0m 55mm SL Fit RG WH Alu E/Cap |
| AKX484B | Alukap-XR 60mm Gable Bar 3.0m 55mm SL Fit RG BR Alu E/Cap |
| AKX484P | Alukap-XR 60mm Gable Bar 3.0m 55mm SL Fit RG PC Alu E/Cap |
| AKX486W | Alukap-XR 60mm Gable Bar 3.6m 55mm SL Fit RG WH Alu E/Cap |
| AKX486B | Alukap-XR 60mm Gable Bar 3.6m 55mm SL Fit RG BR Alu E/Cap |
| AKX486P | Alukap-XR 60mm Gable Bar 3.6m 55mm SL Fit RG PC Alu E/Cap |
| AKX488W | Alukap-XR 60mm Gable Bar 4.8m 55mm SL Fit RG WH Alu E/Cap |
| AKX488B | Alukap-XR 60mm Gable Bar 4.8m 55mm SL Fit RG BR Alu E/Cap |
| AKX488P | Alukap-XR 60mm Gable Bar 4.8m 55mm SL Fit RG PC Alu E/Cap |
| AKX490W | Alukap-XR 60mm Gable Bar 6.0m 55mm SL Fit RG WH Alu E/Cap |
| AKX490B | Alukap-XR 60mm Gable Bar 6.0m 55mm SL Fit RG BR Alu E/Cap |
| AKX490P | Alukap-XR 60mm Gable Bar 6.0m 55mm SL Fit RG PC Alu E/Cap |



### Common Uses

- Roof Lights
- Orangeries
- Conservatories
- Car Ports
- Canopies
- Covered Walkways

### Benefits

- Faster System to Fit
- Improved Aesthetics
- Superior Water Proofing
- More Installer Friendly
- No Plastic Connectoins
- Concealed Fixings

# ALUKAP®-XR

### ALUKAP-XR : 45mm Wall Bar

The Alukap-XR Wall Bar offers the ultimate waterproofing solution in circumstances where a glazing structure terminates at a rising wall. Again the second-fix top section allows all the hard work to be done first before simply snapping the upper profile in place. This system eliminates much of what would otherwise be a complex lead detail.



### Alukap®-XR System 45mm Wall Bars : Without Rafter Gasket

| Code    | Description                                     |
|---------|---|
| AKX512W | Alukap-XR 45mm Wall Bar 3.0m No RG WH Alu E/Cap |
| AKX512B | Alukap-XR 45mm Wall Bar 3.0m No RG BR Alu E/Cap |
| AKX512P | Alukap-XR 45mm Wall Bar 3.0m No RG PC Alu E/Cap |
| AKX514W | Alukap-XR 45mm Wall Bar 3.6m No RG WH Alu E/Cap |
| AKX514B | Alukap-XR 45mm Wall Bar 3.6m No RG BR Alu E/Cap |
| AKX514P | Alukap-XR 45mm Wall Bar 3.6m No RG PC Alu E/Cap |
| AKX516W | Alukap-XR 45mm Wall Bar 4.8m No RG WH Alu E/Cap |
| AKX516B | Alukap-XR 45mm Wall Bar 4.8m No RG BR Alu E/Cap |
| AKX516P | Alukap-XR 45mm Wall Bar 4.8m No RG PC Alu E/Cap |
| AKX518W | Alukap-XR 45mm Wall Bar 6.0m No RG WH Alu E/Cap |
| AKX518B | Alukap-XR 45mm Wall Bar 6.0m No RG BR Alu E/Cap |
| AKX518P | Alukap-XR 45mm Wall Bar 6.0m No RG PC Alu E/Cap |

Note: Illustration shows 60mm version. 45mm version uses the same size 60mm top clip with 45mm version base bar

### Alukap®-XR System 45mm Wall Bars : With 45mm Rafter Gasket

| Code    | Description                                       |
|---------|---|
| AKX520W | Alukap-XR 45mm Wall Bar 3.0m 45mm RG WH Alu E/Cap |
| AKX520B | Alukap-XR 45mm Wall Bar 3.0m 45mm RG BR Alu E/Cap |
| AKX520P | Alukap-XR 45mm Wall Bar 3.0m 45mm RG PC Alu E/Cap |
| AKX522W | Alukap-XR 45mm Wall Bar 3.6m 45mm RG WH Alu E/Cap |
| AKX522B | Alukap-XR 45mm Wall Bar 3.6m 45mm RG BR Alu E/Cap |
| AKX522P | Alukap-XR 45mm Wall Bar 3.6m 45mm RG PC Alu E/Cap |
| AKX524W | Alukap-XR 45mm Wall Bar 4.8m 45mm RG WH Alu E/Cap |
| AKX524B | Alukap-XR 45mm Wall Bar 4.8m 45mm RG BR Alu E/Cap |
| AKX524P | Alukap-XR 45mm Wall Bar 4.8m 45mm RG PC Alu E/Cap |
| AKX526W | Alukap-XR 45mm Wall Bar 6.0m 45mm RG WH Alu E/Cap |
| AKX526B | Alukap-XR 45mm Wall Bar 6.0m 45mm RG BR Alu E/Cap |
| AKX526P | Alukap-XR 45mm Wall Bar 6.0m 45mm RG PC Alu E/Cap |



[www.clearamber.com](http://www.clearamber.com)

**National  
Seal Systems  
Limited**

## Alukap®-XR System 45mm Wall Bars : With 45mm Slot-fit Rafter Gasket

| Code    | Description  |
|---------|--|
| AKX528W | Alukap-XR 45mm Wall Bar 3.0m 45mm SL Fit RG WH Alu E/Cap |
| AKX528B | Alukap-XR 45mm Wall Bar 3.0m 45mm SL Fit RG BR Alu E/Cap |
| AKX528P | Alukap-XR 45mm Wall Bar 3.0m 45mm SL Fit RG PC Alu E/Cap |
| AKX530W | Alukap-XR 45mm Wall Bar 3.6m 45mm SL Fit RG WH Alu E/Cap |
| AKX530B | Alukap-XR 45mm Wall Bar 3.6m 45mm SL Fit RG BR Alu E/Cap |
| AKX530P | Alukap-XR 45mm Wall Bar 3.6m 45mm SL Fit RG PC Alu E/Cap |
| AKX532W | Alukap-XR 45mm Wall Bar 4.8m 45mm SL Fit RG WH Alu E/Cap |
| AKX532B | Alukap-XR 45mm Wall Bar 4.8m 45mm SL Fit RG BR Alu E/Cap |
| AKX532P | Alukap-XR 45mm Wall Bar 4.8m 45mm SL Fit RG PC Alu E/Cap |
| AKX534W | Alukap-XR 45mm Wall Bar 6.0m 45mm SL Fit RG WH Alu E/Cap |
| AKX534B | Alukap-XR 45mm Wall Bar 6.0m 45mm SL Fit RG BR Alu E/Cap |
| AKX534P | Alukap-XR 45mm Wall Bar 6.0m 45mm SL Fit RG PC Alu E/Cap |

## Alukap®-XR System 45mm Wall Bars : With 55mm Rafter Gasket

| Code    | Description                                       |
|---------|---|
| AKX536W | Alukap-XR 45mm Wall Bar 3.0m 55mm RG WH Alu E/Cap |
| AKX536B | Alukap-XR 45mm Wall Bar 3.0m 55mm RG BR Alu E/Cap |
| AKX536P | Alukap-XR 45mm Wall Bar 3.0m 55mm RG PC Alu E/Cap |
| AKX538W | Alukap-XR 45mm Wall Bar 3.6m 55mm RG WH Alu E/Cap |
| AKX538B | Alukap-XR 45mm Wall Bar 3.6m 55mm RG BR Alu E/Cap |
| AKX538P | Alukap-XR 45mm Wall Bar 3.6m 55mm RG PC Alu E/Cap |
| AKX540W | Alukap-XR 45mm Wall Bar 4.8m 55mm RG WH Alu E/Cap |
| AKX540B | Alukap-XR 45mm Wall Bar 4.8m 55mm RG BR Alu E/Cap |
| AKX540P | Alukap-XR 45mm Wall Bar 4.8m 55mm RG PC Alu E/Cap |
| AKX542W | Alukap-XR 45mm Wall Bar 6.0m 55mm RG WH Alu E/Cap |
| AKX542B | Alukap-XR 45mm Wall Bar 6.0m 55mm RG BR Alu E/Cap |
| AKX542P | Alukap-XR 45mm Wall Bar 6.0m 55mm RG PC Alu E/Cap |

## Alukap®-XR System 45mm Wall Bars : With 55mm Slot-fit Rafter Gasket

| Code    | Description  |
|---------|--|
| AKX544W | Alukap-XR 45mm Wall Bar 3.0m 55mm SL Fit RG WH Alu E/Cap |
| AKX544B | Alukap-XR 45mm Wall Bar 3.0m 55mm SL Fit RG BR Alu E/Cap |
| AKX544P | Alukap-XR 45mm Wall Bar 3.0m 55mm SL Fit RG PC Alu E/Cap |
| AKX546W | Alukap-XR 45mm Wall Bar 3.6m 55mm SL Fit RG WH Alu E/Cap |
| AKX546B | Alukap-XR 45mm Wall Bar 3.6m 55mm SL Fit RG BR Alu E/Cap |
| AKX546P | Alukap-XR 45mm Wall Bar 3.6m 55mm SL Fit RG PC Alu E/Cap |
| AKX548W | Alukap-XR 45mm Wall Bar 4.8m 55mm SL Fit RG WH Alu E/Cap |
| AKX548B | Alukap-XR 45mm Wall Bar 4.8m 55mm SL Fit RG BR Alu E/Cap |
| AKX548P | Alukap-XR 45mm Wall Bar 4.8m 55mm SL Fit RG PC Alu E/Cap |
| AKX550W | Alukap-XR 45mm Wall Bar 6.0m 55mm SL Fit RG WH Alu E/Cap |
| AKX550B | Alukap-XR 45mm Wall Bar 6.0m 55mm SL Fit RG BR Alu E/Cap |
| AKX550P | Alukap-XR 45mm Wall Bar 6.0m 55mm SL Fit RG PC Alu E/Cap |



### Common Uses

- Roof Lights
- Orangeries
- Conservatories
- Car Ports
- Canopies
- Covered Walkways

### Benefits

- Faster System to Fit
- Improved Aesthetics
- Superior Water Proofing
- More Installer Friendly
- No Plastic Connectoins
- Concealed Fixings

# ALUKAP®-XR

ALUKAP-XR : 60mm Wall Bar

The Alukap-XR Wall Bar offers the ultimate waterproofing solution in circumstances where a glazing structure terminates at a rising wall. Again the second-fix top section allows all the hard work to be done first before simply snapping the upper profile in place. This system eliminates much of what would otherwise be a complex lead detail.



### Alukap®-XR System 60mm Wall Bars : Without Rafter Gasket

| Code    | Description                                     |
|---------|---|
| AKX552W | Alukap-XR 60mm Wall Bar 3.0m No RG WH Alu E/Cap |
| AKX552B | Alukap-XR 60mm Wall Bar 3.0m No RG BR Alu E/Cap |
| AKX552P | Alukap-XR 60mm Wall Bar 3.0m No RG PC Alu E/Cap |
| AKX554W | Alukap-XR 60mm Wall Bar 3.6m No RG WH Alu E/Cap |
| AKX554B | Alukap-XR 60mm Wall Bar 3.6m No RG BR Alu E/Cap |
| AKX554P | Alukap-XR 60mm Wall Bar 3.6m No RG PC Alu E/Cap |
| AKX556W | Alukap-XR 60mm Wall Bar 4.8m No RG WH Alu E/Cap |
| AKX556B | Alukap-XR 60mm Wall Bar 4.8m No RG BR Alu E/Cap |
| AKX556P | Alukap-XR 60mm Wall Bar 4.8m No RG PC Alu E/Cap |
| AKX558W | Alukap-XR 60mm Wall Bar 6.0m No RG WH Alu E/Cap |
| AKX558B | Alukap-XR 60mm Wall Bar 6.0m No RG BR Alu E/Cap |
| AKX558P | Alukap-XR 60mm Wall Bar 6.0m No RG PC Alu E/Cap |

### Alukap®-XR System 60mm Wall Bars : With 45mm Rafter Gasket

| Code    | Description                                       |
|---------|---|
| AKX560W | Alukap-XR 60mm Wall Bar 3.0m 45mm RG WH Alu E/Cap |
| AKX560B | Alukap-XR 60mm Wall Bar 3.0m 45mm RG BR Alu E/Cap |
| AKX560P | Alukap-XR 60mm Wall Bar 3.0m 45mm RG PC Alu E/Cap |
| AKX562W | Alukap-XR 60mm Wall Bar 3.6m 45mm RG WH Alu E/Cap |
| AKX562B | Alukap-XR 60mm Wall Bar 3.6m 45mm RG BR Alu E/Cap |
| AKX562P | Alukap-XR 60mm Wall Bar 3.6m 45mm RG PC Alu E/Cap |
| AKX564W | Alukap-XR 60mm Wall Bar 4.8m 45mm RG WH Alu E/Cap |
| AKX564B | Alukap-XR 60mm Wall Bar 4.8m 45mm RG BR Alu E/Cap |
| AKX564P | Alukap-XR 60mm Wall Bar 4.8m 45mm RG PC Alu E/Cap |
| AKX566W | Alukap-XR 60mm Wall Bar 6.0m 45mm RG WH Alu E/Cap |
| AKX566B | Alukap-XR 60mm Wall Bar 6.0m 45mm RG BR Alu E/Cap |
| AKX566P | Alukap-XR 60mm Wall Bar 6.0m 45mm RG PC Alu E/Cap |



[www.clearamber.com](http://www.clearamber.com)

**National**  
**Seal Systems**  
**Limited**

## Alukap®-XR System 60mm Wall Bars : With 45mm Slot-fit Rafter Gasket

| Code    | Description  |
|---------|--|
| AKX568W | Alukap-XR 60mm Wall Bar 3.0m 45mm SL Fit RG WH Alu E/Cap |
| AKX568B | Alukap-XR 60mm Wall Bar 3.0m 45mm SL Fit RG BR Alu E/Cap |
| AKX568P | Alukap-XR 60mm Wall Bar 3.0m 45mm SL Fit RG PC Alu E/Cap |
| AKX570W | Alukap-XR 60mm Wall Bar 3.6m 45mm SL Fit RG WH Alu E/Cap |
| AKX570B | Alukap-XR 60mm Wall Bar 3.6m 45mm SL Fit RG BR Alu E/Cap |
| AKX570P | Alukap-XR 60mm Wall Bar 3.6m 45mm SL Fit RG PC Alu E/Cap |
| AKX572W | Alukap-XR 60mm Wall Bar 4.8m 45mm SL Fit RG WH Alu E/Cap |
| AKX572B | Alukap-XR 60mm Wall Bar 4.8m 45mm SL Fit RG BR Alu E/Cap |
| AKX572P | Alukap-XR 60mm Wall Bar 4.8m 45mm SL Fit RG PC Alu E/Cap |
| AKX574W | Alukap-XR 60mm Wall Bar 6.0m 45mm SL Fit RG WH Alu E/Cap |
| AKX574B | Alukap-XR 60mm Wall Bar 6.0m 45mm SL Fit RG BR Alu E/Cap |
| AKX574P | Alukap-XR 60mm Wall Bar 6.0m 45mm SL Fit RG PC Alu E/Cap |

## Alukap®-XR System 60mm Wall Bars : With 55mm Rafter Gasket

| Code    | Description                                       |
|---------|---|
| AKX576W | Alukap-XR 60mm Wall Bar 3.0m 55mm RG WH Alu E/Cap |
| AKX576B | Alukap-XR 60mm Wall Bar 3.0m 55mm RG BR Alu E/Cap |
| AKX576P | Alukap-XR 60mm Wall Bar 3.0m 55mm RG PC Alu E/Cap |
| AKX578W | Alukap-XR 60mm Wall Bar 3.6m 55mm RG WH Alu E/Cap |
| AKX578B | Alukap-XR 60mm Wall Bar 3.6m 55mm RG BR Alu E/Cap |
| AKX578P | Alukap-XR 60mm Wall Bar 3.6m 55mm RG PC Alu E/Cap |
| AKX580W | Alukap-XR 60mm Wall Bar 4.8m 55mm RG WH Alu E/Cap |
| AKX580B | Alukap-XR 60mm Wall Bar 4.8m 55mm RG BR Alu E/Cap |
| AKX580P | Alukap-XR 60mm Wall Bar 4.8m 55mm RG PC Alu E/Cap |
| AKX582W | Alukap-XR 60mm Wall Bar 6.0m 55mm RG WH Alu E/Cap |
| AKX582B | Alukap-XR 60mm Wall Bar 6.0m 55mm RG BR Alu E/Cap |
| AKX582P | Alukap-XR 60mm Wall Bar 6.0m 55mm RG PC Alu E/Cap |

## Alukap®-XR System 60mm Wall Bars : With 55mm Slot-fit Rafter Gasket

| Code    | Description  |
|---------|--|
| AKX584W | Alukap-XR 60mm Wall Bar 3.0m 55mm SL Fit RG WH Alu E/Cap |
| AKX584B | Alukap-XR 60mm Wall Bar 3.0m 55mm SL Fit RG BR Alu E/Cap |
| AKX584P | Alukap-XR 60mm Wall Bar 3.0m 55mm SL Fit RG PC Alu E/Cap |
| AKX586W | Alukap-XR 60mm Wall Bar 3.6m 55mm SL Fit RG WH Alu E/Cap |
| AKX586B | Alukap-XR 60mm Wall Bar 3.6m 55mm SL Fit RG BR Alu E/Cap |
| AKX586P | Alukap-XR 60mm Wall Bar 3.6m 55mm SL Fit RG PC Alu E/Cap |
| AKX588W | Alukap-XR 60mm Wall Bar 4.8m 55mm SL Fit RG WH Alu E/Cap |
| AKX588B | Alukap-XR 60mm Wall Bar 4.8m 55mm SL Fit RG BR Alu E/Cap |
| AKX588P | Alukap-XR 60mm Wall Bar 4.8m 55mm SL Fit RG PC Alu E/Cap |
| AKX590W | Alukap-XR 60mm Wall Bar 6.0m 55mm SL Fit RG WH Alu E/Cap |
| AKX590B | Alukap-XR 60mm Wall Bar 6.0m 55mm SL Fit RG BR Alu E/Cap |
| AKX590P | Alukap-XR 60mm Wall Bar 6.0m 55mm SL Fit RG PC Alu E/Cap |



### Common Uses

- Roof Lights
- Orangeries
- Conservatories
- Car Ports
- Canopies
- Covered Walkways

### Benefits

- Faster System to Fit
- Improved Aesthetics
- Superior Water Proofing
- More Installer Friendly
- No Plastic Connectoins
- Concealed Fixings

# ALUKAP®-XR

### ALUKAP-XR : Hip Bar

This Alukap-XR Hip Bar is a must-have for easy hip connections. It provides a second-fix cover member, allowing the installer to make accurate mitre abutments and apply sealant if necessary, before snapping on the upper profile that acts as an umbrella protection without any unsightly and impractical plastic connectors.



### Alukap®-XR System Hip Bars : Without Rafter Gasket

| Code    | Description                               |
|---------|---|
| AKX612W | Alukap-XR Hip Bar 3.0m No RG WH Alu E/Cap |
| AKX612B | Alukap-XR Hip Bar 3.0m No RG BR Alu E/Cap |
| AKX612P | Alukap-XR Hip Bar 3.0m No RG PC Alu E/Cap |
| AKX614W | Alukap-XR Hip Bar 3.6m No RG WH Alu E/Cap |
| AKX614B | Alukap-XR Hip Bar 3.6m No RG BR Alu E/Cap |
| AKX614P | Alukap-XR Hip Bar 3.6m No RG PC Alu E/Cap |
| AKX616W | Alukap-XR Hip Bar 4.8m No RG WH Alu E/Cap |
| AKX616B | Alukap-XR Hip Bar 4.8m No RG BR Alu E/Cap |
| AKX616P | Alukap-XR Hip Bar 4.8m No RG PC Alu E/Cap |
| AKX618W | Alukap-XR Hip Bar 6.0m No RG WH Alu E/Cap |
| AKX618B | Alukap-XR Hip Bar 6.0m No RG BR Alu E/Cap |
| AKX618P | Alukap-XR Hip Bar 6.0m No RG PC Alu E/Cap |

### Alukap®-XR System Hip Bars : With 45mm Rafter Gasket

| Code    | Description                                 |
|---------|---|
| AKX620W | Alukap-XR Hip Bar 3.0m 45mm RG WH Alu E/Cap |
| AKX620B | Alukap-XR Hip Bar 3.0m 45mm RG BR Alu E/Cap |
| AKX620P | Alukap-XR Hip Bar 3.0m 45mm RG PC Alu E/Cap |
| AKX622W | Alukap-XR Hip Bar 3.6m 45mm RG WH Alu E/Cap |
| AKX622B | Alukap-XR Hip Bar 3.6m 45mm RG BR Alu E/Cap |
| AKX622P | Alukap-XR Hip Bar 3.6m 45mm RG PC Alu E/Cap |
| AKX624W | Alukap-XR Hip Bar 4.8m 45mm RG WH Alu E/Cap |
| AKX624B | Alukap-XR Hip Bar 4.8m 45mm RG BR Alu E/Cap |
| AKX624P | Alukap-XR Hip Bar 4.8m 45mm RG PC Alu E/Cap |
| AKX626W | Alukap-XR Hip Bar 6.0m 45mm RG WH Alu E/Cap |
| AKX626B | Alukap-XR Hip Bar 6.0m 45mm RG BR Alu E/Cap |
| AKX626P | Alukap-XR Hip Bar 6.0m 45mm RG PC Alu E/Cap |



[www.clearamber.com](http://www.clearamber.com)

**National**  
**Seal Systems**  
**Limited**



## Alukap®-XR System Hip Bars : With 45mm Slot-fit Rafter Gasket

| Code    | Description  |
|---------|--|
| AKX628W | Alukap-XR Hip Bar 3.0m 45mm SL Fit RG WH Alu E/Cap |
| AKX628B | Alukap-XR Hip Bar 3.0m 45mm SL Fit RG BR Alu E/Cap |
| AKX628P | Alukap-XR Hip Bar 3.0m 45mm SL Fit RG PC Alu E/Cap |
| AKX630W | Alukap-XR Hip Bar 3.6m 45mm SL Fit RG WH Alu E/Cap |
| AKX630B | Alukap-XR Hip Bar 3.6m 45mm SL Fit RG BR Alu E/Cap |
| AKX630P | Alukap-XR Hip Bar 3.6m 45mm SL Fit RG PC Alu E/Cap |
| AKX632W | Alukap-XR Hip Bar 4.8m 45mm SL Fit RG WH Alu E/Cap |
| AKX632B | Alukap-XR Hip Bar 4.8m 45mm SL Fit RG BR Alu E/Cap |
| AKX632P | Alukap-XR Hip Bar 4.8m 45mm SL Fit RG PC Alu E/Cap |
| AKX634W | Alukap-XR Hip Bar 6.0m 45mm SL Fit RG WH Alu E/Cap |
| AKX634B | Alukap-XR Hip Bar 6.0m 45mm SL Fit RG BR Alu E/Cap |
| AKX634P | Alukap-XR Hip Bar 6.0m 45mm SL Fit RG PC Alu E/Cap |

## Alukap®-XR System Hip Bars : With 55mm Rafter Gasket

| Code    | Description                                 |
|---------|---|
| AKX636W | Alukap-XR Hip Bar 3.0m 55mm RG WH Alu E/Cap |
| AKX636B | Alukap-XR Hip Bar 3.0m 55mm RG BR Alu E/Cap |
| AKX636P | Alukap-XR Hip Bar 3.0m 55mm RG PC Alu E/Cap |
| AKX638W | Alukap-XR Hip Bar 3.6m 55mm RG WH Alu E/Cap |
| AKX638B | Alukap-XR Hip Bar 3.6m 55mm RG BR Alu E/Cap |
| AKX638P | Alukap-XR Hip Bar 3.6m 55mm RG PC Alu E/Cap |
| AKX640W | Alukap-XR Hip Bar 4.8m 55mm RG WH Alu E/Cap |
| AKX640B | Alukap-XR Hip Bar 4.8m 55mm RG BR Alu E/Cap |
| AKX640P | Alukap-XR Hip Bar 4.8m 55mm RG PC Alu E/Cap |
| AKX642W | Alukap-XR Hip Bar 6.0m 55mm RG WH Alu E/Cap |
| AKX642B | Alukap-XR Hip Bar 6.0m 55mm RG BR Alu E/Cap |
| AKX642P | Alukap-XR Hip Bar 6.0m 55mm RG PC Alu E/Cap |

## Alukap®-XR System Hip Bars : With 55mm Slot-fit Rafter Gasket

| Code    | Description  |
|---------|--|
| AKX644W | Alukap-XR Hip Bar 3.0m 55mm SL Fit RG WH Alu E/Cap |
| AKX644B | Alukap-XR Hip Bar 3.0m 55mm SL Fit RG BR Alu E/Cap |
| AKX644P | Alukap-XR Hip Bar 3.0m 55mm SL Fit RG PC Alu E/Cap |
| AKX646W | Alukap-XR Hip Bar 3.6m 55mm SL Fit RG WH Alu E/Cap |
| AKX646B | Alukap-XR Hip Bar 3.6m 55mm SL Fit RG BR Alu E/Cap |
| AKX646P | Alukap-XR Hip Bar 3.6m 55mm SL Fit RG PC Alu E/Cap |
| AKX648W | Alukap-XR Hip Bar 4.8m 55mm SL Fit RG WH Alu E/Cap |
| AKX648B | Alukap-XR Hip Bar 4.8m 55mm SL Fit RG BR Alu E/Cap |
| AKX648P | Alukap-XR Hip Bar 4.8m 55mm SL Fit RG PC Alu E/Cap |
| AKX650W | Alukap-XR Hip Bar 6.0m 55mm SL Fit RG WH Alu E/Cap |
| AKX650B | Alukap-XR Hip Bar 6.0m 55mm SL Fit RG BR Alu E/Cap |
| AKX650P | Alukap-XR Hip Bar 6.0m 55mm SL Fit RG PC Alu E/Cap |



### Common Uses

- Roof Lights
- Orangeries
- Conservatories
- Car Ports
- Canopies
- Covered Walkways

### Benefits

- Faster System to Fit
- Improved Aesthetics
- Superior Water Proofing
- More Installer Friendly
- No Plastic Connectoins
- Concealed Fixings

# ALUKAP®-XR

### ALUKAP-XR : Ridge Bar

The ridge area of a roof gets the greatest impact from the elements, which is why the Alukap-XR Ridge Bar is manufactured with an incredibly robust structure. Curved gasket feet that accommodate varying pitches, and a generous overhang that again protects the connections from adjoining bars without any unsightly and impractical plastic connectors, are just two of the many outstanding features and benefits to this unique ridge system.



### Alukap®-XR System Ridge Bars : Without Rafter Gasket

| Code    | Description                 |
|---------|-----------------------------|
| AKX710W | Alukap-XR Ridge 1m No RG WH |
| AKX710B | Alukap-XR Ridge 1m No RG BR |
| AKX710P | Alukap-XR Ridge 1m No RG PC |
| AKX720W | Alukap-XR Ridge 2m No RG WH |
| AKX720B | Alukap-XR Ridge 2m No RG BR |
| AKX720P | Alukap-XR Ridge 2m No RG PC |
| AKX730W | Alukap-XR Ridge 3m No RG WH |
| AKX730B | Alukap-XR Ridge 3m No RG BR |
| AKX730P | Alukap-XR Ridge 3m No RG PC |
| AKX760W | Alukap-XR Ridge 6m No RG WH |
| AKX760B | Alukap-XR Ridge 6m No RG BR |
| AKX760P | Alukap-XR Ridge 6m No RG PC |

### Alukap®-XR System Ridge Bars : With 45mm Rafter Gasket

| Code    | Description                   |
|---------|-------------------------------|
| AKX712W | Alukap-XR Ridge 1m 45mm RG WH |
| AKX712B | Alukap-XR Ridge 1m 45mm RG BR |
| AKX712P | Alukap-XR Ridge 1m 45mm RG PC |
| AKX722W | Alukap-XR Ridge 2m 45mm RG WH |
| AKX722B | Alukap-XR Ridge 2m 45mm RG BR |
| AKX722P | Alukap-XR Ridge 2m 45mm RG PC |
| AKX732W | Alukap-XR Ridge 3m 45mm RG WH |
| AKX732B | Alukap-XR Ridge 3m 45mm RG BR |
| AKX732P | Alukap-XR Ridge 3m 45mm RG PC |
| AKX762W | Alukap-XR Ridge 6m 45mm RG WH |
| AKX762B | Alukap-XR Ridge 6m 45mm RG BR |
| AKX762P | Alukap-XR Ridge 6m 45mm RG PC |



[www.clearamber.com](http://www.clearamber.com)

**National**  
**Seal Systems**  
**Limited**

## Alukap®-XR System Ridge Bars : With 45mm Slot-fit Rafter Gasket

| Code    | Description                          |
|---------|--------------------------------------|
| AKX714W | Alukap-XR Ridge 1m 45mm SL Fit RG WH |
| AKX714B | Alukap-XR Ridge 1m 45mm SL Fit RG BR |
| AKX714P | Alukap-XR Ridge 1m 45mm SL Fit RG PC |
| AKX724W | Alukap-XR Ridge 2m 45mm SL Fit RG WH |
| AKX724B | Alukap-XR Ridge 2m 45mm SL Fit RG BR |
| AKX724P | Alukap-XR Ridge 2m 45mm SL Fit RG PC |
| AKX734W | Alukap-XR Ridge 3m 45mm SL Fit RG WH |
| AKX734B | Alukap-XR Ridge 3m 45mm SL Fit RG BR |
| AKX734P | Alukap-XR Ridge 3m 45mm SL Fit RG PC |
| AKX764W | Alukap-XR Ridge 6m 45mm SL Fit RG WH |
| AKX764B | Alukap-XR Ridge 6m 45mm SL Fit RG BR |
| AKX764P | Alukap-XR Ridge 6m 45mm SL Fit RG PC |

## Alukap®-XR System Ridge Bars : With 55mm Rafter Gasket

| Code    | Description                   |
|---------|-------------------------------|
| AKX716W | Alukap-XR Ridge 1m 55mm RG WH |
| AKX716B | Alukap-XR Ridge 1m 55mm RG BR |
| AKX716P | Alukap-XR Ridge 1m 55mm RG PC |
| AKX726W | Alukap-XR Ridge 2m 55mm RG WH |
| AKX726B | Alukap-XR Ridge 2m 55mm RG BR |
| AKX726P | Alukap-XR Ridge 2m 55mm RG PC |
| AKX736W | Alukap-XR Ridge 3m 55mm RG WH |
| AKX736B | Alukap-XR Ridge 3m 55mm RG BR |
| AKX736P | Alukap-XR Ridge 3m 55mm RG PC |
| AKX766W | Alukap-XR Ridge 6m 55mm RG WH |
| AKX766B | Alukap-XR Ridge 6m 55mm RG BR |
| AKX766P | Alukap-XR Ridge 6m 55mm RG PC |

## Alukap®-XR System Ridge Bars : With 55mm Slot-fit Rafter Gasket

| Code    | Description                          |
|---------|--------------------------------------|
| AKX718W | Alukap-XR Ridge 1m 55mm SL Fit RG WH |
| AKX718B | Alukap-XR Ridge 1m 55mm SL Fit RG BR |
| AKX718P | Alukap-XR Ridge 1m 55mm SL Fit RG PC |
| AKX728W | Alukap-XR Ridge 2m 55mm SL Fit RG WH |
| AKX728B | Alukap-XR Ridge 2m 55mm SL Fit RG BR |
| AKX728P | Alukap-XR Ridge 2m 55mm SL Fit RG PC |
| AKX738W | Alukap-XR Ridge 3m 55mm SL Fit RG WH |
| AKX738B | Alukap-XR Ridge 3m 55mm SL Fit RG BR |
| AKX738P | Alukap-XR Ridge 3m 55mm SL Fit RG PC |
| AKX768W | Alukap-XR Ridge 6m 55mm SL Fit RG WH |
| AKX768B | Alukap-XR Ridge 6m 55mm SL Fit RG BR |
| AKX768P | Alukap-XR Ridge 6m 55mm SL Fit RG PC |



### Common Uses

- Roof Lights
- Orangeries
- Conservatories
- Car Ports
- Canopies
- Covered Walkways

### Benefits

- Faster System to Fit
- Improved Aesthetics
- Superior Water Proofing
- More Installer Friendly
- No Plastic Connectoins
- Concealed Fixings

# ALUKAP®-XR

### ALUKAP-XR : Casting and Gaskets

The Alukap-XR castings provide long-lasting, durable solutions for various end caps and decorative finishing's.

Pre-lubricated gaskets come as standard with Alukap-XR. The slot-fit rafter gasket option is the preferred on-site time saver.



### Alukap®-XR System Standard Bar Endcap

| Code    | Description                             |
|---------|---|
| AKX310W | Alukap-XR Additional Bar Endcap Each WH |
| AKX310B | Alukap-XR Additional Bar Endcap Each BR |
| AKX310P | Alukap-XR Additional Bar Endcap Each PC |



### Alukap®-XR System Ridge Gable End Plate

| Code    | Description                                   |
|---------|---|
| AKX772W | Alukap-XR Ridge Gable End Plate White         |
| AKX772B | Alukap-XR Ridge Gable End Plate Brown         |
| AKX772P | Alukap-XR Ridge Gable End Plate Powder Coated |



### Alukap®-XR System Ridge Radius End Cap

| Code    | Description                                  |
|---------|--|
| AKX773W | Alukap-XR Ridge Radius End Cap White         |
| AKX773B | Alukap-XR Ridge Radius End Cap Brown         |
| AKX773P | Alukap-XR Ridge Radius End Cap Powder Coated |



[www.clearamber.com](http://www.clearamber.com)

**National**  
**Seal Systems**  
**Limited**

## Alukap®-XR System **Standard Finial**

| Code    | Description                              |
|---------|--|
| AKX774W | Alukap-XR Aluminium Finial White         |
| AKX774B | Alukap-XR Aluminium Finial Brown         |
| AKX774P | Alukap-XR Aluminium Finial Powder Coated |



## Alukap®-XR System **Crest**

| Code    | Description                                   |
|---------|---|
| AKX775W | Alukap-XR 595mm Aluminium Crest White         |
| AKX775B | Alukap-XR 595mm Aluminium Crest Brown         |
| AKX775P | Alukap-XR 595mm Aluminium Crest Powder Coated |



## Alukap®-XR System **Ball Finial**

| Code    | Description                               |
|---------|---|
| AKX776W | Alukap-XR 150mm Ball Finial White         |
| AKX776B | Alukap-XR 150mm Ball Finial Brown         |
| AKX776P | Alukap-XR 150mm Ball Finial Powder Coated |



## Alukap® **Gaskets** (Gaskets supplied in continuous lengths as far as possible, as per qty of 1m ordered.)

| Code   | Description                              |
|--------|--|
| AT45M  | 45mm Rafter Gasket 1m                    |
| AT47M  | 45mm Rafter Gasket Slot Fit 1m           |
| AT55M  | 55mm Rafter Gasket 1m                    |
| AT57M  | 55mm Rafter Gasket Slot Fit 1m           |
| AKX65M | Alukap-XR Standard Bar & Ridge Gasket 1m |



45mm  
AT45



45mm  
AT47



55mm  
AT55



55mm  
AT57



### Common Uses

- Roof Lights
- Orangeries
- Conservatories
- Car Ports
- Canopies
- Covered Walkways

### Benefits

- Faster System to Fit
- Improved Aesthetics
- Superior Water Proofing
- More Installer Friendly
- No Plastic Connectoins
- Concealed Fixings

# ALUKAP®-XR

### ALUKAP-XR : Endstop Bar

Issues with the lower end of glass and polycarbonate glazing panels gave rise to the innovation of a substantial drip trim that will not warp, discolour, crack or fall off like the inferior plastic equivalents. This crucial area is all too often left to chance, and can cause costly damage to the glazing. The Alukap End Stop, puts a stop to that!



### Alukap®-XR System 10mm Endstop Bars

| Code    | Description                            |
|---------|--|
| AKX106W | Alukap-XR 10mm End Stop Bar 3m White   |
| AKX106B | Alukap-XR 10mm End Stop Bar 3m Brown   |
| AKX106P | Alukap-XR 10mm End Stop Bar 3m PC      |
| AKX108W | Alukap-XR 10mm End Stop Bar 3.6m White |
| AKX108B | Alukap-XR 10mm End Stop Bar 3.6m Brown |
| AKX108P | Alukap-XR 10mm End Stop Bar 3.6m PC    |
| AKX110W | Alukap-XR 10mm End Stop Bar 4.8m White |
| AKX110B | Alukap-XR 10mm End Stop Bar 4.8m Brown |
| AKX110P | Alukap-XR 10mm End Stop Bar 4.8m PC    |

### Alukap®-XR System 16mm Endstop Bars

| Code    | Description                           |
|---------|---------------------------------------|
| AKX112W | Alukap-XR 16mmEnd Stop Bar 3m White   |
| AKX112B | Alukap-XR 16mmEnd Stop Bar 3m Brown   |
| AKX112P | Alukap-XR 16mmEnd Stop Bar 3m PC      |
| AKX114W | Alukap-XR 16mmEnd Stop Bar 3.6m White |
| AKX114B | Alukap-XR 16mmEnd Stop Bar 3.6m Brown |
| AKX114P | Alukap-XR 16mm End Stop Bar 3.6m PC   |
| AKX116W | Alukap-XR 16mmEnd Stop Bar 4.8m White |
| AKX116B | Alukap-XR 16mmEnd Stop Bar 4.8m Brown |
| AKX116P | Alukap-XR 16mmEnd Stop Bar 4.8m PC    |



[www.clearamber.com](http://www.clearamber.com)

**National  
Seal Systems  
Limited**

## Alukap®-XR System 25mm Endstop Bars

| Code    | Description                            |
|---------|--|
| AKX118W | Alukap-XR 25mm End Stop Bar 3m White   |
| AKX118B | Alukap-XR 25mm End Stop Bar 3m Brown   |
| AKX118P | Alukap-XR 25mm End Stop Bar 3m PC      |
| AKX120W | Alukap-XR 25mm End Stop Bar 3.6m White |
| AKX120B | Alukap-XR 25mm End Stop Bar 3.6m Brown |
| AKX120P | Alukap-XR 25mm End Stop Bar 3.6m PC    |
| AKX122W | Alukap-XR 25mm End Stop Bar 4.8m White |
| AKX122B | Alukap-XR 25mm End Stop Bar 4.8m Brown |
| AKX122P | Alukap-XR 25mm End Stop Bar 4.8m PC    |

## Alukap®-XR System 35mm Endstop Bars

| Code    | Description                            |
|---------|--|
| AKX130W | Alukap-XR 35mm End Stop Bar 3m White   |
| AKX130B | Alukap-XR 35mm End Stop Bar 3m Brown   |
| AKX130P | Alukap-XR 35mm End Stop Bar 3m PC      |
| AKX132W | Alukap-XR 35mm End Stop Bar 3.6m White |
| AKX132B | Alukap-XR 35mm End Stop Bar 3.6m Brown |
| AKX132P | Alukap-XR 35mm End Stop Bar 3.6m PC    |
| AKX134W | Alukap-XR 35mm End Stop Bar 4.8m White |
| AKX134B | Alukap-XR 35mm End Stop Bar 4.8m Brown |
| AKX134P | Alukap-XR 35mm End Stop Bar 4.8m PC    |

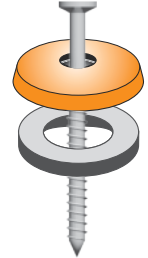
## Alukap®-XR System 78mm Endstop Bars

| Code    | Description                            |
|---------|--|
| AKX140W | Alukap-XR 78mm End Stop Bar 4.8m White |
| AKX140B | Alukap-XR 78mm End Stop Bar 4.8m Brown |
| AKX140P | Alukap-XR 78mm End Stop Bar 4.8m PC    |



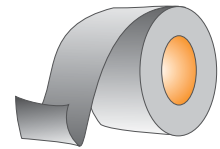
## Alukap®-XR Fixing Buttons (For centre-point sheet fixing)

| Code  | Description                              |
|-------|--|
| AG42B | 10mm Fixing Buttons 10 Pack Brown        |
| AG42W | 10mm Fixing Buttons 10 Pack White        |
| AG43B | 16 - 25mm Fixing Buttons 10 Pack Brown   |
| AG43W | 16mm Fixing Buttons 10 Pack White        |
| AG45W | 25mm Fixing Buttons 10 Pack White        |
| AG90  | Axiome Low-swarf Specialist Jigsaw Blade |



## Alukap®-XR Anti-Dust Filter Tape (For sealing the bottom end of Axiome sheets)

| Code | Description  |
|------|--|
| AG32 | 25mm Anti-Dust Tape 10m (For use with 10mm Axiome) |
| AG36 | 33mm Anti-Dust Tape 10m (For use with 16mm Axiome) |
| AG37 | 43mm Anti-Dust Tape 10m (For use with 25mm Axiome) |
| AG38 | 55mm Anti-Dust Tape 10m (For use with 35mm Axiome) |



## Alukap®-XR Sealants and Flashings

| Code | Description                                  |
|------|--|
| AG72 | All Weather Sealant Tube                     |
| AG73 | 150mm Flashing Tape (Butyl) 10m              |
| AG74 | 200mm Flashing Tape (Butyl) 10m              |
| AG79 | Expanding Foam Seal 4m                       |
| AG80 | Low Modulus Neutral Cure Silicone Tube 290ml |

## Alukap®-XR Top Clips

| Code       | Description                             |
|------------|---|
| AKX20024BR | Alukap-XR 45mm Top Clip Only Brown 3.0m |
| AKX20024WH | Alukap-XR 45mm Top Clip Only White 3.0m |
| AKX20026BR | Alukap-XR 60mm Top Clip Only Brown 3.0m |
| AKX20026WH | Alukap-XR 60mm Top Clip Only White 3.0m |
| AKX20224BR | Alukap-XR 45mm Top Clip Only Brown 3.6m |
| AKX20224WH | Alukap-XR 45mm Top Clip Only White 3.6m |
| AKX20226BR | Alukap-XR 60mm Top Clip Only Brown 3.6m |
| AKX20226WH | Alukap-XR 60mm Top Clip Only White 3.6m |
| AKX20424BR | Alukap-XR 45mm Top Clip Only Brown 4.8m |
| AKX20424WH | Alukap-XR 45mm Top Clip Only White 4.8m |
| AKX20426BR | Alukap-XR 60mm Top Clip Only Brown 4.8m |
| AKX20426WH | Alukap-XR 60mm Top Clip Only White 4.8m |
| AKX20624BR | Alukap-XR 45mm Top Clip Only Brown 6.0m |
| AKX20624WH | Alukap-XR 45mm Top Clip Only White 6.0m |
| AKX20626BR | Alukap-XR 60mm Top Clip Only Brown 6.0m |
| AKX20626WH | Alukap-XR 60mm Top Clip Only White 6.0m |





bar system  
snap-fix glazing

# ...ECONOMICAL LOW COST ROOF GLAZING



**SNAPA**<sup>®</sup>

[www.clearamber.com](http://www.clearamber.com)

tel: 0845 384 4444  
email: [sales@clearamber.com](mailto:sales@clearamber.com)

### Snapa Snap-Fix Glazing Bar

| Code  | Description   |
|-------|---|
| AG13W | Snapa Lean-to Bar Inc.Endcp 3m White (For 6, 10, 16 or 25mm Axiome) |
| AG13B | Snapa Lean-to Bar Inc.Endcp 3m Brown (For 6, 10, 16 or 25mm Axiome) |
| AG15W | Snapa Lean-to Bar Inc.Endcp 4m White (For 6, 10, 16 or 25mm Axiome) |
| AG15B | Snapa Lean-to Bar Inc.Endcp 4m Brown (For 6, 10, 16 or 25mm Axiome) |
| AG14W | Snapa Lean-to Bar Inc.Endcp 5m White (For 6, 10, 16 or 25mm Axiome) |
| AG14B | Snapa Lean-to Bar Inc.Endcp 5m Brown (For 6, 10, 16 or 25mm Axiome) |
| AG16W | Snapa Lean-to Bar Inc.Endcp 6m White (For 6, 10, 16 or 25mm Axiome) |
| AG16B | Snapa Lean-to Bar Inc.Endcp 6m Brown (For 6, 10, 16 or 25mm Axiome) |
| AG17W | Snapa Bar Endcap White  |
| AG17B | Snapa Bar Endcap Brown  |

### Snapa Clear H Section

| Code | Description                                 |
|------|---|
| AG10 | Snapa 6mm Clear Polycarbonate H Section 5m  |
| AG11 | Snapa 10mm Clear Polycarbonate H Section 5m |
| AG12 | Snapa 16mm Clear Polycarbonate H section 5m |



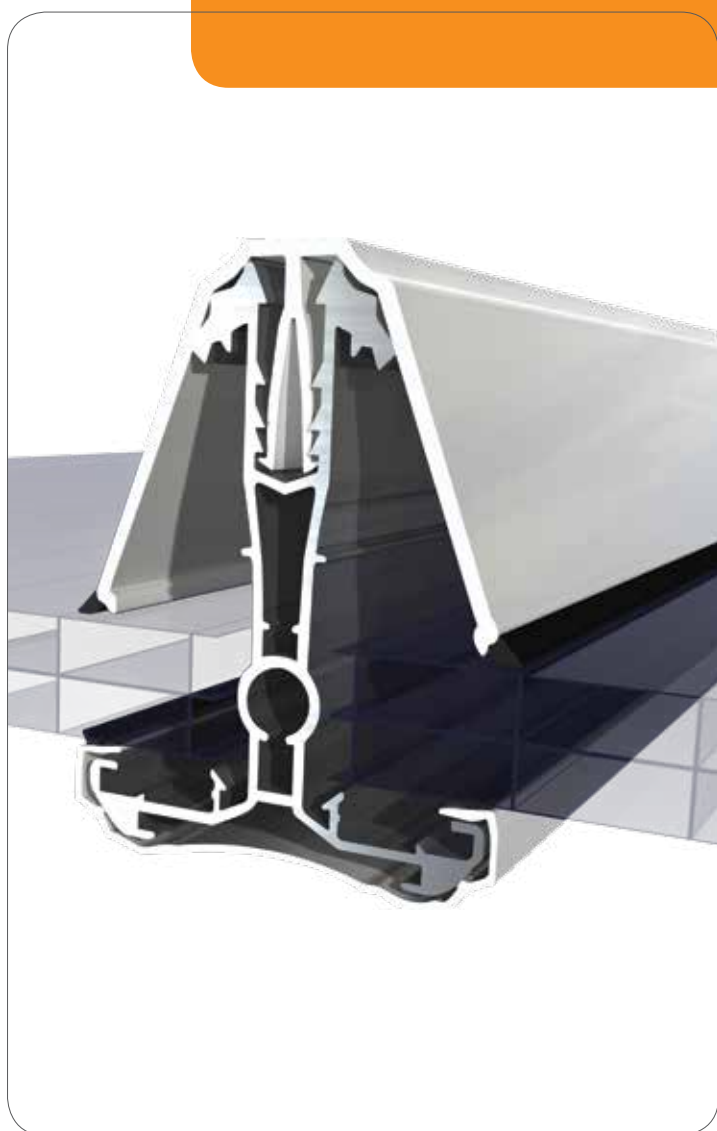
### Snapa PVC Drip Trim

| Code  | Description                         |
|-------|-------------------------------------|
| AG62W | Snapa 10mm PVC Drip Trim White 2.1m |
| AG62B | Snapa 10mm PVC Drip Trim Brown 2.1m |
| AG63W | Snapa 16mm PVC Drip Trim White 2.1m |
| AG63B | Snapa 16mm PVC Drip Trim Brown 2.1m |
| AG65W | Snapa 25mm PVC Drip Trim White 2.1m |
| AG65B | Snapa 25mm PVC Drip Trim Brown 2.1m |
| AG71W | Snapa 35mm PVC Drip Trim White 2.1m |
| AG71B | Snapa 35mm PVC Drip Trim Brown 2.1m |

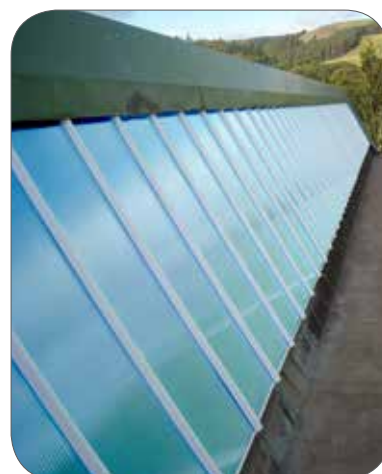


Self-Support  
Rafter System

# ...SIMPLE SELF-SUPPORT ROOF GLAZING



**SUPERSPAN<sup>®</sup>**



[www.clearamber.com](http://www.clearamber.com)

tel: 0845 384 4444  
email: [sales@clearamber.com](mailto:sales@clearamber.com)

### Common Uses

- Lean To's
- Carports
- Conservatories
- Swimming Pools
- Play Area Covers
- Shelters

### Benefits

- No Need for Timber Rafters
- Fast to Install
- Thermally Broken

# SUPERSPAN®

This unique lean-to self-support system is designed to combine exceptional strength ratios with an excellent aesthetically pleasing finish. Superspan's simplicity reduces installation time without reducing the quality of the finished product. Superspan bars are suitable for spans of up to 4000mm in most applications. Greater spans can be achieved by using a bolster bar kit or more commonly by the customer creating an intermediate purlin support.

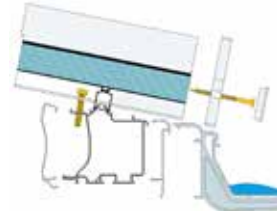
### Superspan® Wall Plates

| Code   | Description                                       |
|--------|---|
| AL13WH | Superspan White Complete Variable Wall Plate 3m   |
| AL14WH | Superspan White Complete Variable Wall Plate 4m   |
| AL16WH | Superspan White Complete Variable Wall Plate 5.9m |



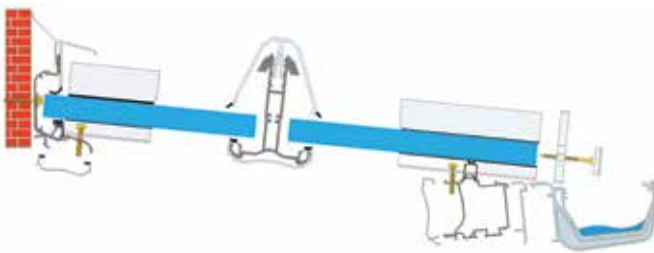
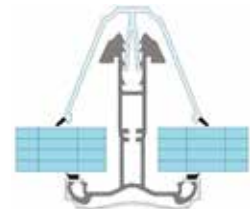
### Superspan® Eaves Beams

| Code   | Description                                       |
|--------|---|
| AL23WH | Superspan White Complete Variable Eaves Beam 3m   |
| AL24WH | Superspan White Complete Variable Eaves Beam 4m   |
| AL26WH | Superspan White Complete Variable Eaves Beam 5.9m |



### Superspan® Self Support Rafter Bars (Check Spanning Guide)

| Code   | Description  |
|--------|--|
| AL30WH | Superspan White Self-support Rafter (inc Endcap) 2m                              |
| AL31WH | Superspan White Self-support Rafter (inc Endcap) 2.5m                            |
| AL32WH | Superspan White Self-support Rafter (inc Endcap) 3m                              |
| AL33WH | Superspan White Self-support Rafter (inc Endcap) 3.5m                            |
| AL34WH | Superspan White Self-support Rafter (inc Endcap) 4m                              |
| AL35WH | Superspan White Self-Support Rafter (inc Endcap) 5.9m (Spans 4m Max unsupported) |

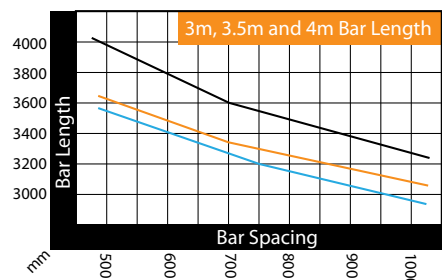
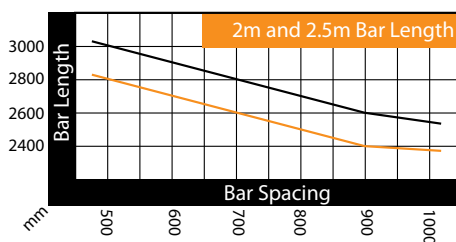


**KEY**

**ROOF GLAZING**

- = 25mm Polycarbonate
- = 4mm D/G Glass Units
- = 6mm D/G Glass Units

**Important Note**  
Loadings are calculated with an additional load of 60Kg/m<sup>2</sup> of roof area. Maximum bar deflection is 35mm.



[www.clearamber.com](http://www.clearamber.com)

**National  
Seal Systems  
Limited**

## Superspan® Extra Endcaps

| Code | Description   |
|------|---|
| AL38 | Superspan Additional Rafter Endcap For AL30, AL31       |
| AL39 | Superspan Additional Rafter Endcap For AL32, AL33, AL34 |


## Superspan® Complete Gutter Packs

| Code | Description   |
|------|---|
| AL80 | Superspan Square Gutter Pack with Snapfix Brackets                |
| AL81 | Superspan Downpipe Pack with Offset Bends, Pipe Brackets and Shoe |
| AL82 | Superspan Extra Snapfix Gutter Brackets                           |

## Superspan® Carport Legs

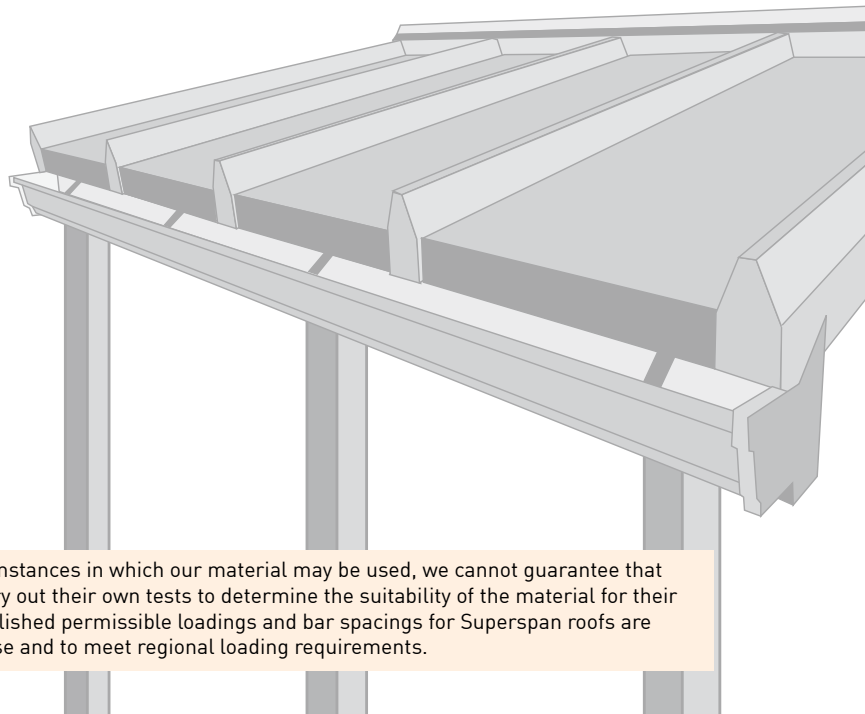
| Code  | Description  |
|-------|--|
| AL75W | Superspan White Complete post & bracket kit 2440mm |
| AL76W | Superspan White Complete post & bracket kit 3000mm |

Pitch variation 2.5 to 15 degrees.  
Roof bars tested to load 0.6Kn/m<sup>2</sup>



**COLOUR COATING**

The latest colour coating technology means that Superspan can be coloured to any RAL or BS colour code. Extra lead times and costs apply.



Inasmuch as the suppliers have no control over the circumstances in which our material may be used, we cannot guarantee that any particular results will be achieved. Users should carry out their own tests to determine the suitability of the material for their application. Installers should satisfy themselves that published permissible loadings and bar spacings for Superspan roofs are sufficient to provide adequate strength for the intended use and to meet regional loading requirements.



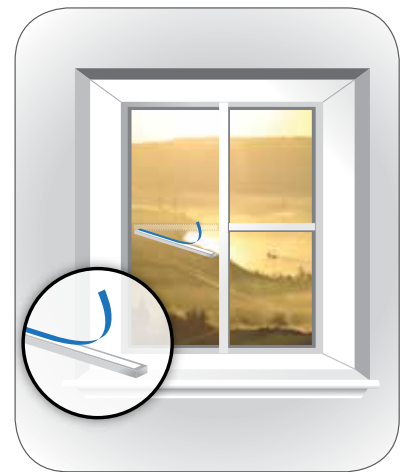


quality glazing tapes

# PERMANENTLY BONDING TAPES



SECURBOND®



[www.clearamber.com](http://www.clearamber.com)

tel: 0845 384 4444  
email: [sales@clearamber.com](mailto:sales@clearamber.com)

### Common Uses

- Fixing Georgian Bars
- Fixing Facings and Architraves
- Overglazing Windows with Polycarbonate
- Mounting Mirrors
- Mounting Signs
- Bonding Plastic Sheets to Frames and Walls

### Benefits

- Each Roll Individually Bagged
- Instant Cure Bond
- Closed Cell Zero Water Absorption
- Very High Bond Adhesive
- Superior Release Liner for Quick Removal

# SECURBOND®

This range of premium quality, double-sided dry glazing tape is recommended for permanently bonding all trims including georgian bars, facings and architraves. Its immediate high tack means that no unsightly fixings are needed in most situations, and you don't need to wait for messy silicone to cure.

In addition, it is so powerful that it is commonly used to stick mirrors and other glazing to walls and frame work. It is ideal for vandal-prone areas where drilling and mechanical fixings can reduce the impact strength of the panel. The combination of high quality materials used in its manufacture ensure maximum resistance to ageing, UV radiation and plasticizers.

### Securbond®-M Trim and Mirror Tape (Can be sold in single rolls)

| Code    | Description  |
|---------|--|
| SBM09BL | Securbond-M 1mm Black Double-sided Tape 9mm x 50m  |
| SBM09WH | Securbond-M 1mm White Double-sided Tape 9mm x 50m  |
| SBM12BL | Securbond-M 1mm Black Double-sided Tape 12mm x 50m |
| SBM12WH | Securbond-M 1mm White Double-sided Tape 12mm x 50m |
| SBM18BL | Securbond-M 1mm Black Double-sided Tape 18mm x 50m |
| SBM18WH | Securbond-M 1mm White Double-sided Tape 18mm x 50m |
| SBM25BL | Securbond-M 1mm Black Double-sided Tape 25mm x 50m |
| SBM25WH | Securbond-M 1mm White Double-sided Tape 25mm x 50m |



[www.clearamber.com](http://www.clearamber.com)

**National  
Seal Systems  
Limited**



### Common Uses

- Fixing Georgian Bars
- Fixing Facings and Architraves
- Overglazing Windows with Polycarbonate
- Mounting Mirrors
- Mounting Signs
- Bonding Plastic Sheets to Frames and Walls

### Benefits

- Each Roll Individually Bagged
- Instant Cure Bond
- Closed Cell Zero Water Absorption
- Very High Bond Adhesive
- Superior Release Liner for Quick Removal
- Extra Cushioning

# SECURBOND®

This 2mm range of premium quality double-sided dry glazing tape carries the same great properties and strengths of the SecurBOND - M Trim Tape but being 2mm thick allows extra cushioning and is better suited to fixing timber or PVC trims where there is slight inconsistencies in the size tolerances of the trims.

### Securbond®-A - Georgian Bar Tape (Can be sold in single rolls)

| Code    | Description  |
|---------|--|
| SBA09BL | Securbond-A 2mm Black Double-sided Tape 9mm x 40m  |
| SBA09WH | Securbond-A 2mm White Double-sided Tape 9mm x 40m  |
| SBA12BL | Securbond-A 2mm Black Double-sided Tape 12mm x 40m |
| SBA12WH | Securbond-A 2mm White Double-sided Tape 12mm x 40m |
| SBA18BL | Securbond-A 2mm Black Double-sided Tape 18mm x 40m |
| SBA18WH | Securbond-A 2mm White Double-sided Tape 18mm x 40m |
| SBA22BL | Securbond-A 2mm Black Double-sided Tape 22mm x 40m |
| SBA22WH | Securbond-A 2mm White Double-sided Tape 22mm x 40m |
| SBA25BL | Securbond-A 2mm Black Double-sided Tape 25mm x 40m |
| SBA25WH | Securbond-A 2mm White Double-sided Tape 25mm x 40m |



### Common Uses

- Glazing Sealed Units into Frames
- Security Eaves Filler
- Glazing Door Panels into Frames
- Draught Excluder
- PVC Trim Tape

### Benefits

- Each Roll Individually Bagged
- Instant Cure Bond
- Closed Cell Zero Water Absorption
- Various thicknesses for extra cushioning
- Excellent Draught Exclusion Seal

# SECURBOND®

These Securbond options are available for situations where extra cushioning or gap filling is required, and where products are already vertically supported.

## Securbond®-2 (Can be sold in single rolls)

| Code    | Description                                      |
|---------|--|
| SB209BL | Securbond Black 2mm Double-sided Tape 9mm x 40m  |
| SB209WH | Securbond White 2mm Double-sided Tape 9mm x 40m  |
| SB212BL | Securbond Black 2mm Double-sided Tape 12mm x 40m |
| SB212WH | Securbond White 2mm Double-sided Tape 12mm x 40m |
| SB218BL | Securbond Black 2mm Double-sided Tape 18mm x 40m |
| SB218WH | Securbond White 2mm Double-sided Tape 18mm x 40m |
| SB224BL | Securbond Black 2mm Double-sided Tape 24mm x 40m |
| SB224WH | Securbond White 2mm Double-sided Tape 24mm x 40m |

## Securbond®-3 (Can be sold in single rolls)

| Code    | Description                                      |
|---------|--|
| SB309BL | Securbond Black 3mm Double-sided Tape 9mm x 25m  |
| SB309WH | Securbond White 3mm Double-sided Tape 9mm x 25m  |
| SB312BL | Securbond Black 3mm Double-sided Tape 12mm x 25m |
| SB312WH | Securbond White 3mm Double-sided Tape 12mm x 25m |
| SB318BL | Securbond Black 3mm Double-sided Tape 18mm x 25m |
| SB318WH | Securbond White 3mm Double-sided Tape 18mm x 25m |
| SB324BL | Securbond Black 3mm Double-sided Tape 24mm x 25m |
| SB324WH | Securbond White 3mm Double-sided Tape 24mm x 25m |

## Securbond®-4 (Can be sold in single rolls)

| Code    | Description                                      |
|---------|--|
| SB409BL | Securbond Black 4mm Double-sided Tape 9mm x 20m  |
| SB409WH | Securbond White 4mm Double-sided Tape 9mm x 20m  |
| SB412BL | Securbond Black 4mm Double-sided Tape 12mm x 20m |
| SB412WH | Securbond White 4mm Double-sided Tape 12mm x 20m |
| SB418BL | Securbond Black 4mm Double-sided Tape 18mm x 20m |
| SB418WH | Securbond White 4mm Double-sided Tape 18mm x 20m |
| SB424BL | Securbond Black 4mm Double-sided Tape 24mm x 20m |
| SB424WH | Securbond White 4mm Double-sided Tape 24mm x 20m |

We can manufacture any width at a pro-rata price for a minimum of 20 rolls



[www.clearamber.com](http://www.clearamber.com)

**National**  
**Seal Systems**  
**Limited**

Securbond®-6 (Can be sold in single rolls)

| Code    | Description                                      |
|---------|--|
| SB609BL | Securbond Black 6mm Double-sided Tape 9mm x 15m  |
| SB609WH | Securbond White 6mm Double-sided Tape 9mm x 15m  |
| SB612BL | Securbond Black 6mm Double-sided Tape 12mm x 15m |
| SB612WH | Securbond White 6mm Double-sided Tape 12mm x 15m |
| SB618BL | Securbond Black 6mm Double-sided Tape 18mm x 15m |
| SB618WH | Securbond White 6mm Double-sided Tape 18mm x 15m |
| SB624BL | Securbond Black 6mm Double-sided Tape 24mm x 15m |
| SB624WH | Securbond White 6mm Double-sided Tape 24mm x 15m |

Securbond®-8 (Minimum of 20 rolls of this thickness)

| Code    | Description                                      |
|---------|--|
| SB809BL | Securbond Black 8mm Double-sided Tape 9mm x 10m  |
| SB809WH | Securbond White 8mm Double-sided Tape 9mm x 10m  |
| SB812BL | Securbond Black 8mm Double-sided Tape 12mm x 10m |
| SB812WH | Securbond White 8mm Double-sided Tape 12mm x 10m |
| SB818BL | Securbond Black 8mm Double-sided Tape 18mm x 10m |
| SB818WH | Securbond White 8mm Double-sided Tape 18mm x 10m |
| SB824BL | Securbond Black 8mm Double-sided Tape 24mm x 10m |
| SB824WH | Securbond White 8mm Double-sided Tape 24mm x 10m |

Securbond®-10 (Minimum of 20 rolls of this thickness)

| Code     | Description                                       |
|----------|---|
| SB1009BL | Securbond Black 10mm Double-sided Tape 9mm x 10m  |
| SB1009WH | Securbond White 10mm Double-sided Tape 9mm x 10m  |
| SB1012BL | Securbond Black 10mm Double-sided Tape 12mm x 10m |
| SB1012WH | Securbond White 10mm Double-sided Tape 12mm x 10m |
| SB1018BL | Securbond Black 10mm Double-sided Tape 18mm x 10m |
| SB1018WH | Securbond White 10mm Double-sided Tape 18mm x 10m |
| SB1024BL | Securbond Black 10mm Double-sided Tape 24mm x 10m |
| SB1024WH | Securbond White 10mm Double-sided Tape 24mm x 10m |

Securbond®-12 (Minimum of 20 rolls of this thickness)

| Code     | Description                                      |
|----------|--|
| SB1209BL | Securbond Black 12mm Double-sided Tape 9mm x 8m  |
| SB1209WH | Securbond White 12mm Double-sided Tape 9mm x 8m  |
| SB1212BL | Securbond Black 12mm Double-sided Tape 12mm x 8m |
| SB1212WH | Securbond White 12mm Double-sided Tape 12mm x 8m |
| SB1218BL | Securbond Black 12mm Double-sided Tape 18mm x 8m |
| SB1218WH | Securbond White 12mm Double-sided Tape 18mm x 8m |
| SB1224BL | Securbond Black 12mm Double-sided Tape 24mm x 8m |
| SB1224WH | Securbond White 12mm Double-sided Tape 24mm x 8m |



### Common Uses

- Weather Strip
- Glass Cushion Gasket
- Single Sided Dry Glazing
- Draught Excluder

### Benefits

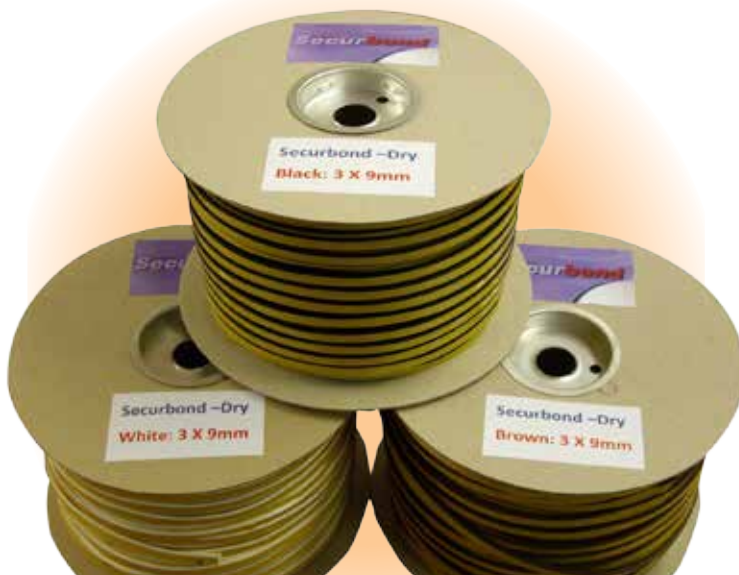
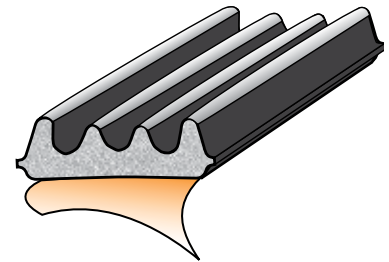
- Drum Style Coil Dispenser
- Integral Anti-Stretch Netting
- Superior Weatherability
- Ribbed Glazing Surface for Better Seal
- Instant Cure Bond Adhesive

# SECURBOND®

Securbond-Dry is well established for use in high quality, single sided, dry glazing applications, and offers superior cushioning and weatherability. The 'drum' style rolls assist easy dispensing and storage, and allows shorter lengths to be pulled off for your customers as desired.

Securbond®-DRY (Can be sold in single rolls)

| Code     | Description   |
|----------|---|
| SBD309BL | Securbond-Dry 3mm Single-Sided EPDM 9mm x 150m Black        |
| SBD309BR | Securbond-Dry 3mm Single-Sided EPDM 9mm x 150m Brown        |
| SBD309WH | Securbond-Dry 3mm Single-Sided EPDM 9mm x 150m White        |
| SBD409BL | Securbond-Dry 4mm Single-Sided EPDM 9mm x 125m Black        |
| SBD409BR | Securbond-Dry 4mm Single-Sided EPDM 9mm x 125m Brown        |
| SBD409WH | Securbond-Dry 4mm Single-Sided EPDM 9mm x 125m White        |
| SBD510BL | Securbond-Dry 5mm Single-Sided EPDM 10mm x 100m Black       |
| SBD510BR | Securbond-Dry 5mm Single-Sided EPDM 10mm x 100m Brown       |
| SBD510WH | Securbond-Dry 5mm Single-Sided EPDM 10mm x 100m White       |
| SBDLBL   | Securbond-Dry 3.4mm Lip-Edge Single-Sided EPDM 13.5mm x 100 |
| SBDLWH   | Securbond-Dry 3.4mm Lip-Edge Single-Sided EPDM 13.5mm x 100 |

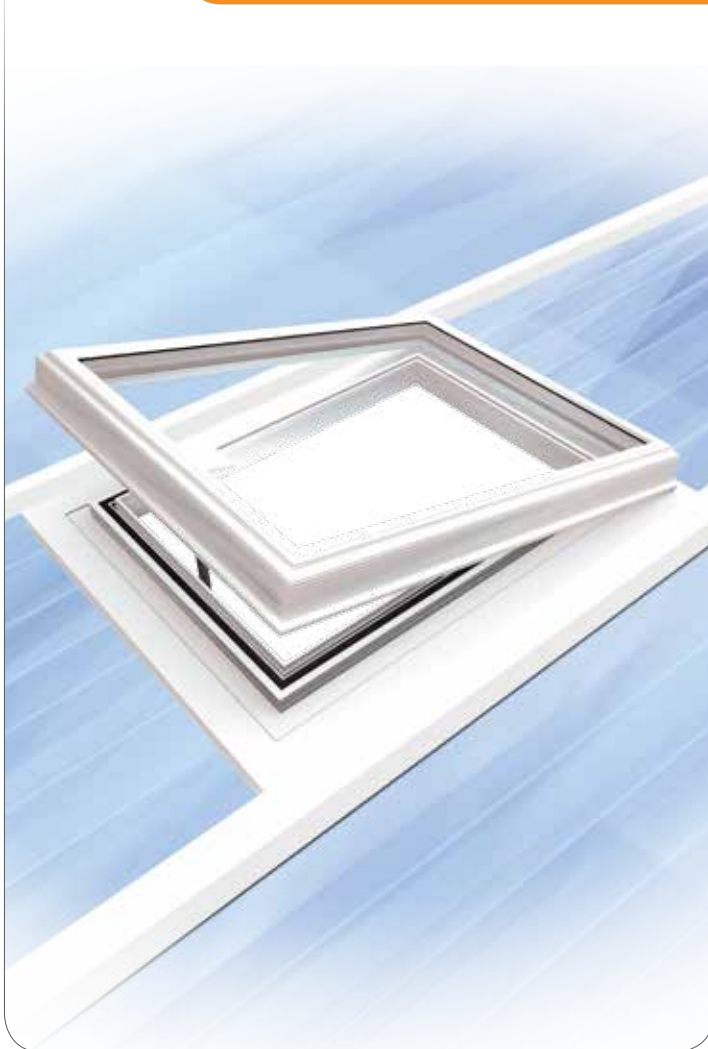


[www.clearamber.com](http://www.clearamber.com)

**National  
Seal Systems  
Limited**

aluminium  
roof vents

# ...LONG TERM DURABILITY AND QUALITY



ATMOSVENT®



[www.clearamber.com](http://www.clearamber.com)

tel: 0845 384 4444  
email: [sales@clearamber.com](mailto:sales@clearamber.com)

### Common Uses

- Conservatories
- Orangeries
- Sun Lounges
- Swimming Pools
- Greenhouses

### Benefits

- Thermally Broken
- Long Lasting Aluminium
- Fast to Install
- No Leaks!

# ATMOSVENT®

Atmosvent® roof vents are made-to-measure to suit nearly all rafter spacing requirements. Atmosvent roof vents provide an ideal ventilation solution and can also help to reduce heat gain. The AtmosVENT® Aluminium range offers long term durability in the most extreme environments, and is available in four thicknesses to suit nearly all glazing requirements. Atmosvents are supplied unglazed for customers to fit their preferred glazing sheet option. Please allow 6 working days for delivery.

## Atmosvent® 24mm Thermally Broken Aluminium Roof Vents (Brass Opener)

| Code        | Description  |
|-------------|--|
| AV241WHBS   | Atmosvent 24mm Aluminium White with Brass Opener Size A    |
| AV242WHBS   | Atmosvent 24mm Aluminium White with Brass Opener Size B    |
| AV241AKBRBS | Atmosvent 24mm Aluminium AK Brown with Brass Opener Size A |
| AV242AKBRBS | Atmosvent 24mm Aluminium AK Brown with Brass Opener Size B |

## Atmosvent® 24mm Thermally Broken Aluminium Roof Vents (Chrome Opener)

| Code        | Description   |
|-------------|---|
| AV241WHCH   | Atmosvent 24mm Aluminium White with Chrome Opener Size A    |
| AV242WHCH   | Atmosvent 24mm Aluminium White with Chrome Opener Size B    |
| AV241AKBRCH | Atmosvent 24mm Aluminium AK Brown with Chrome Opener Size A |
| AV242AKBRCH | Atmosvent 24mm Aluminium AK Brown with Chrome Opener Size B |

## Atmosvent® 24mm Thermally Broken Aluminium Roof Vents (Electric)

| Code      | Description   |
|-----------|---|
| AV243WH   | Atmosvent 24mm Aluminium White Size A Electric Opening    |
| AV244WH   | Atmosvent 24mm Aluminium White Size B Electric Opening    |
| AV243AKBR | Atmosvent 24mm Aluminium AK Brown Size A Electric Opening |
| AV244AKBR | Atmosvent 24mm Aluminium AK Brown Size B Electric Opening |

## Atmosvent® 35mm Thermally Broken Aluminium Roof Vents (Brass Opener)

| Code        | Description   |
|-------------|---|
| AV351WHBS   | Atmosvent 35mm Aluminium White with Brass Opener Size A Man |
| AV352WHBS   | Atmosvent 35mm Aluminium White with Brass Opener Size B Man |
| AV351AKBRBS | Atmosvent 35mm Aluminium AK Brown with Brass Opener Size A  |
| AV352AKBRBS | Atmosvent 35mm Aluminium AK Brown with Brass Opener Size B  |

## Atmosvent® 35mm Thermally Broken Aluminium Roof Vents (Chrome Opener)

| Code        | Description   |
|-------------|---|
| AV351WHCH   | Atmosvent 35mm Aluminium White with Chrome Opener Size A Ma |
| AV352WHCH   | Atmosvent 35mm Aluminium White with Chrome Opener Size B Ma |
| AV351AKBRCH | Atmosvent 35mm Aluminium AK Brown with Chrome Opener Size A |
| AV352AKBRCH | Atmosvent 35mm Aluminium AK Brown with Chrome Opener Size B |

## Atmosvent® 35mm Thermally Broken Aluminium Roof Vents (Electric)

| Code      | Description   |
|-----------|---|
| AV353WH   | Atmosvent 35mm Aluminium White Size A Electric Opening    |
| AV354WH   | Atmosvent 35mm Aluminium White Size B Electric Opening    |
| AV353AKBR | Atmosvent 35mm Aluminium AK Brown Size A Electric Opening |
| AV354AKBR | Atmosvent 35mm Aluminium AK Brown Size B Electric Opening |



[www.clearamber.com](http://www.clearamber.com)

**National  
Seal Systems  
Limited**

## Atmosvent® Pricing Size Guide

| Code                     | Use    |
|--------------------------|--------|
| W1 + H1 less than 1500mm | Size A |
| W1 + H1 less than 2000mm | Size B |

## Atmosvent® Accessories

| Code    | Description   |
|---------|---|
| AVCCWH  | Climate Control White Unit/Rain Sensor-Controls up to 6 ven |
| AVCHBS  | High Quality Brass Style 1.5m Crank with Teak Handle        |
| AVCHCH  | High Quality Chrome Style 1.5m Crank with Teak Handle       |
| AVBW300 | Atmosvent Brass Winder 300mm                                |
| AVCW300 | Atmosvent Chrome Winder 300mm                               |

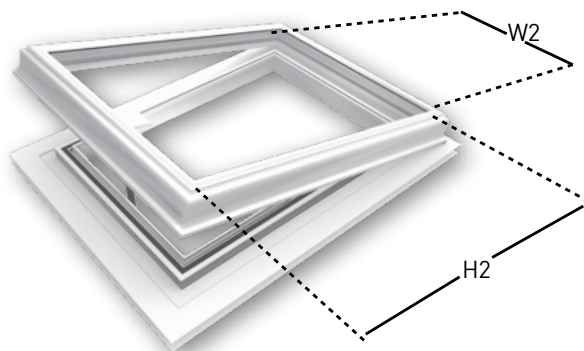
## Atmosvent® How to Work Out Lid Glazing Size

### Calculations

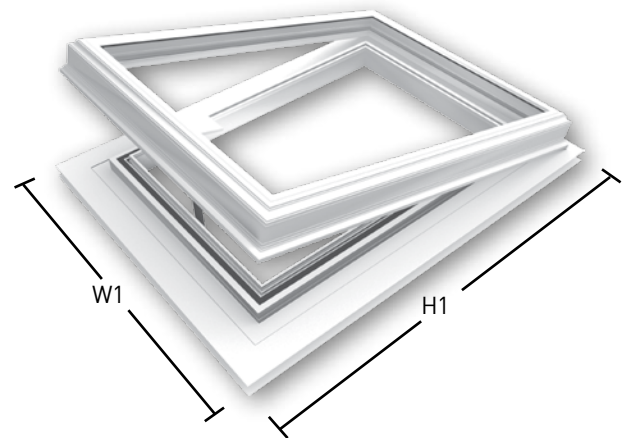
W1 minus 130mm = W2 (Inside Glazing Size)

H1 minus 130mm = H2 (Inside Glazing Size)

Deduct 13mm from the lower glazing pane below the Atmosvent



## Atmosvent Aluminium Sizes



### Common Uses

- Conservatories
- Orangeries
- Sun Lounges
- Swimming Pools
- Greenhouses

### Benefits

- Economical
- Thermally efficient
- Fast to Install
- No Leaks!

# ATMOSVENT®

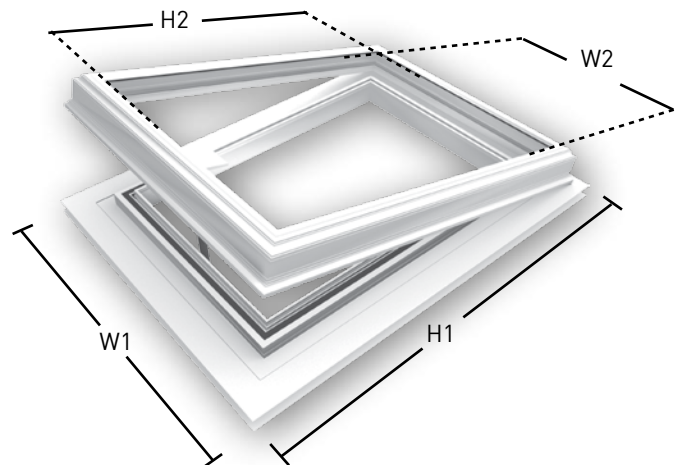
The Atmosvent PVC range has been developed as a more cost effective option, with a lighter weight and warmer touch. In addition the woodgrain foiled options, produced in Rosewood or Golden Oak, compliment that of nearly every other PVC window or conservatory systems' profile.

## Atmosvent® 24/25mm PVC Economy Roof Vent

| Code     | Description  |
|----------|--|
| AVP24WH1 | Atmosvent White Both Sides 24/25mm Ecco. Man. Open   |
| AVP24WH2 | Atmosvent White Both Sides 24/25mm Ecco. Elec. Open  |
| AVP24WG1 | Atmosvent Woodgr Both Sides 24/25mm Ecco. Man. Open  |
| AVP24WG2 | Atmosvent Woodgr Both Sides 24/25mm Ecco. Elec. Open |
| AVP24WW1 | Atmosvent White-In WG-Out 24/25mm Ecco. Man. Open    |
| AVP24WW2 | Atmosvent White-In WG-Out 24/25mm Ecco. Elec. Open   |

### Maximum Height and Width

| Size  | Detail                     |
|---|----------------------------|
| H1  | Maximum Vent height 800mm  |
| H2  | Maximum Glazing Size 670mm |
| W1  | Any Size up to 1000mm      |
| W2  | W1 minus 130mm             |
| Deduct 13mm from the lower glazing pane below the Atmosvent |                            |



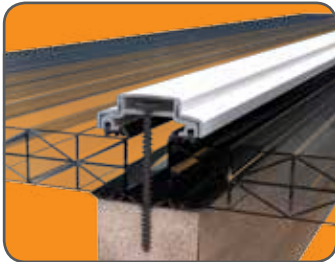
[www.clearamber.com](http://www.clearamber.com)

**National  
Seal Systems  
Limited**





# Fitting Instructions



1. Cut the Alukap®-XR base bar to the desired length.

2. Cut the two rubber gaskets to length to suit the same length as the Alukap®-XR base bar and insert them carefully in to the gasket location grooves.

3. Position the Alukap®-XR rafter gasket over the timber rafters and lay the glazing materials on top, allowing enough space in between for the fixing screws and thermal expansion appropriate to the chosen glazing material.

4. Lay the cut-size Alukap®-XR base bar directly above the rafter, on top of the glazing materials and drill pilot holes through the pre-drilled holes in the Alukap®-XR base bar, in to the rafter as required. Then screw the Alukap®-XR base bar in to place, taking care not to over-tighten the screws, but making sure that the gasket are creating a uniform seal with the glazing material.

5. Screw the Alukap®-XR end cap on to the Alukap®-XR base bar.

6. Make any additional seals with a suitable sealant as required, where the Alukap®-XR base bar makes any abutments or connections to walls, hip bars or ridge bars.

7. Now carefully cut the Alukap®-XR top cap bar to the accurate length required including any mitre or angled cuts for a perfect aesthetically pleasing finish. Snap the Alukap®-XR top cap bar on to the Alukap®-XR base bar along the whole length. use a suitable rubber/plastic headed hammer for this action and avoid heavy impact, to avoid damage to the Alukap®-XR bar and the glazing materials.



1. Follow the same instructions as the standard bars (see left) but note the following additional points

2. Where glass is chosen for the glazing material rather than Axiome, the Alukap®-XR wall and gable finishing bars require a timber packer piece under the outer edge gasket. Where Axiome is used, the glazing material can be extended right the way across the rafter under the outermost Alukap®-XR glazing bar gasket.

3. Where applicable ensure that the timber packer piece is the same thickness as the glass glazing material

4. Make sure that the rafter gasket runs underneath the packer piece

5. In the case of the Alukap®-XR wall finishing bar, the ribbed backing of the up stand makes a perfect surface for a suitable sealant to create an abutment to the adjacent wall.

6. If required simply fit a flashing tape or lead to the adjacent wall and flash over the top of the Alukap®-XR wall finishing up stand.

6. Next cut the top section of the Alukap®-XR ridge to the correct length. Where Crests & Finials are being used, BEFORE fitting this top section to the Alukap®-XR ridge base section, apply a bead of sealant down the middle of the top section of the Alukap®-XR ridge and then slide the Crests and Finials into this top section.

7. Offer up the Alukap®-XR ridge top section on top of the Alukap®-XR ridge base section making sure that it is the correct size, and lowering it so that the two opposite pairs of inner vertical location lugs engage. **WARNING:** As a security feature the Alukap®-XR ridge top section is designed to be fixed once and permanently; it will not be easy to remove once the final snap-fix is completed. Once you are ready for the final fix use a suitable rubber/plastic headed hammer to snap this top section down both sides so that the outer location lugs snap firmly together. It is vital that both these outer snap-fix engagements are fully made working all the way along the entire length of the ridge. Avoid heavy impact, to avoid damage to the Alukap®-XR ridge bar and the glazing materials. In exposed applications extra measures should be taken if required to fix top section with additional mechanical fixings as desired.



1. Follow the same instructions as the standard bars (see far left) but note the following additional points

2. The vertically raised side of the Alukap®-XR hip bar allows an excellent surface for other Alukap®-XR standard bars butting up from adjacent jack rafters to be mitred and sealed against

3. Once the base of the Alukap®-XR hip bar is secured and sealed itself, then the final sealing of any top capping abutments of standard Alukap®-XR bars can be made easily without the umbrella top capping of the Alukap®-XR hip bar being in the way.

4. Once the final sealing of the adjoining bars is complete and the Alukap®-XR hip bar end cap is fixed, then the Alukap®-XR hip bar top cap can be snapped into position providing cover over the abutments from the elements.

4. Screw the Alukap®-XR gable or radius end cap on to the Alukap®-XR ridge base bar through the top tongue of the end cap with the top tongue resting on top of the base ridge bar, in between the two vertical location channels.

5. Make any additional seals with a suitable sealant as required, where the Alukap®-XR ridge base bar makes any abutments or connections.



1. Cut the Alukap®-XR ridge base bar to the desired length

2. Cut the two rubber gaskets to length to suit the same length as the Alukap®-XR ridge base bar and insert them carefully in to the gasket location grooves

3. Lay the cut-size Alukap®-XR ridge base bar directly above the ridge rafter, on top of the glazing materials and drill appropriate sized holes through the Alukap®-XR ridge base bar, in to the ridge rafter as required. First and last holes should be a maximum of 100mm from the ends and then at 300mm centres in between. Then screw the Alukap®-XR ridge base bar in to place, taking care not to over-tighten the screws, but making sure that the gasket are creating a uniform seal with the glazing material.



## Features and Benefits

- ✓ Hidden fixings for improved sealing and better aesthetics
- ✓ No unsightly and impractical plastic connectors required
- ✓ Aluminium / alloy end caps include security fix system
- ✓ Improved full cover provides new anti-leverage security protection
- ✓ Full cover caps provide better water-proofing and eliminate top-base connection line
- ✓ Total base-to-cap surface cover allows simple butt-joint connections reducing waste and costs
- ✓ Internationally Registered Design style offers fantastically pleasing and stylish sight lines
- ✓ Stainless screws provide self-drilling assistance and deeper driver bit connection
- ✓ Pre-lubricated gaskets aid natural expansion and contraction of glazing sheets
- ✓ Concealed gasket design protects gaskets from exposure to the elements and provides improved aesthetics

ALUKAP®-XR

Approved Supplier

 **National  
Seal Systems  
Limited**

*Unit 210 Holly Road, Western Industrial Estate.*

*Naas Road, Dublin 12*

*Ph 00353-1-4565170 Fax 00353-1-4502371*

*Email: [info@nationalseal.ie](mailto:info@nationalseal.ie) web: [www.nationalseal.ie](http://www.nationalseal.ie)*

 **National  
Seal Systems  
Limited**