

TOUCH BAR RANGE



Now available  
with electronic  
latch retraction  
(see page 4)

# What's inside

04 Introducing our electronic latch retraction

05 Choose your finish

06 Product selector

07 Product features

08 Range and features of 400 series

10 Accessories

## Guarantee

To support the high quality and first class engineering that has gone into the Exidor range, the manufacturer gives a ten year guarantee for mechanical components and a one year guarantee for electrical components (subject to conditions) against defects due to faulty manufacturing, workmanship or defective material. The manufacturer agrees to replace any defective Exidor product free of charge provided the product has been fitted in accordance with the fitting instructions and maintained correctly.

## Technical Support

Comprehensive information and technical support services are available by contacting:

Tel: +44 (0)1543 460040 Fax: +44 (0)1543 570050  
email: [technical@exidor.co.uk](mailto:technical@exidor.co.uk)

Or visit our website:

# exidor.co.uk

There are a number of enhancements we've made to the Exidor website. You'll also find new company info, technical data, and downloadable pdfs of the latest product literature – all presented in a clear and contemporary style that we hope you'll enjoy.

We're aiming to keep on improving the website, with more new specifiers on the way, and additions to our gallery of products and projects. If you have comments and ideas on ways we can make it even better and more useful, just let us know.



CE marked for Safety  
Certified for use on Fire Doors  
Certified to European EN Standards



## Introducing the 400 series Touch Bar

Exidor Ltd is a UK based engineering company manufacturing a comprehensive, high specification range of innovative Panic and Emergency exit hardware.

We've been meeting the needs of architects, specifiers, project managers, OEM's and building managers for more than 60 years. In that time, we've built an unrivalled record of developing and continually enhancing a product range that's known all over the world.

**400 series Touch Bar – certified to the European Standard BS EN1125: 2008, carrying the Certifire quality mark, fire rated and CE marked for safety and peace of mind.**


Combining smooth stylish lines with quality British engineering, the Exidor Touch Bar provides the best solution for emergency exits, and is even stylish enough for the most integrated of interiors.

Certified to 200,000 uses, the 400 series is suitable for use in public buildings such as hotels, schools, hospitals and prestige office developments, where the door mass does not exceed 200KG.

The range is available in single, two or three point locking systems, using vertical or horizontal Pullman latches. Accessories include alarm and microswitch units, outside access devices for entry from the external side, as well as an electronic latch retraction option which, when integrated with an access control system, gives security as well as emergency egress.

### **What does British manufacturing mean to us?**

Understanding what our customers need. Providing local and reliable service. Having a wide range of standard units available from stock for next day delivery. Being able to provide non-standard products. Reacting quickly when it matters. Working to International quality and manufacturing standards and certified to ISO 9001. And caring – professionally – about quality.

The background image shows a close-up of a hand touching a black, vertical electronic latch retraction bar. The bar is mounted on a white door handle assembly. Above the bar, there are three small indicator lights: a red one, an orange one, and a green one. The door handle is set against a light-colored wall, and a wooden door frame is visible on the right side.

The new way to secure your exit...

# Electronic latch retraction

With the ever increasing need for improved security, the Exidor 400 series with electronic latch retraction offers a solution whilst still allowing safe emergency exit from inside the building.

It also allows the integration of the buildings access control systems with the panic exit devices.

A motor concealed within the Touch Bar assembly provides immediate retraction of the bolts to provide access from the secure side of the door via the buildings access control system.

The locking points can also be withdrawn remotely, for example via a key switch from inside the building, whilst still maintaining the instant panic exit release function when the Touch Bar is operated.

The unit operates off a standard 24V DC, 1 amp power supply (not provided). As standard, the bar also incorporates electronic dogging (hold back).

Additionally, an exit alarm can be added to the 400 series with electronic latch retraction or a microswitch facility to allow bar movement to be monitored. Both these options are factory fitted, and must be specified when ordering.



# Choose your finish

Exidor Ltd use epoxy powder coating for all painted surfaces to give a quality finish to their products and offer silver, white/green and black/green as the standard colours for the Exidor 400 series.

Brass and stainless steel plated finishes are also available but are not recommended for external use or OAD's.

Exidor Ltd also offer a range of popular Hewi & RAL colours to match other ironmongery products that may be fitted.

## A choice of finishes

All exit devices and outside access devices are now available in a wide range of finishes:

### Standard finishes:



Silver  
(RAL 9022)



Black /  
green



White /  
green

### Plated finishes available:

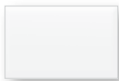


Stainless  
steel effect



Brass effect

### Popular RAL colours available:



Pure white  
9010



Ultra marine  
blue  
5002



Ruby red  
3003



Traffic yellow  
1023

When ordering please  
suffix the product code  
with RAL number



Agate grey  
7038



Mint green  
6029



Ivory  
1014



Jet black  
9005



Olive  
brown  
8008



Black green  
6012



Wine red  
3007



Steel blue  
5011



Fir green  
6009



Anthracite  
grey  
7016



Gold



# Product selector

(Door width sizes are in mm)

## Single doors

Type	1 point latch unit		2 point unit with vertical Pullman latches		2 point unit with horizontal Pullman latches		3 point unit with vertical Pullman latches		3 point unit with horizontal Pullman latches		1 point unit with mortice latch actuator		Actuator with microswitches	
	685-900	865-1200	685-900	865-1200	685-900	865-1200	685-900	865-1200	685-900	865-1200	685-900	865-1200	685-900	865-1200
Door width (min - max)	685-900	865-1200	685-900	865-1200	685-900	865-1200	685-900	865-1200	685-900	865-1200	685-900	865-1200	685-900	865-1200
Code	400	401	402	403	416	417	404	405	418	419	420	421	413MS	414MS

## Rebated double doors

Type	2 Point unit with vertical Pullman latches and mortice latch actuator		2 Point unit with vertical Pullman latches and 1 point latch unit		2 Point unit with vertical Pullman latches and 2 point unit with horizontal Pullman latches		2 Point unit with vertical Pullman latches and 3 point unit with horizontal Pullman latches	
	685-900	865-1200	685-900	865-1200	685-900	865-1200	685-900	865-1200
Door width (min - max)	685-900	865-1200	685-900	865-1200	685-900	865-1200	685-900	865-1200
Code	402 + 420 + Rebate Kit	403 + 421 + Rebate Kit	400 + 402 + 406B	401 + 403 + 406B	402 + 416 + 2 x 406A	403 + 417 + 2 x 406A	402 + 418 + 2 x 406A + 406B	403 + 419 + 2 x 406A + 406B

## Non-rebated double doors

Type	2 point unit with vertical Pullman latches & 2 point unit with vertical Pullman latches		2 point unit with vertical Pullman latches & 1 point unit with mortice latch actuator	
	685-900	865-1200	685-900	865-1200
Door width (min - max)	685-900	865-1200	685-900	865-1200
Code	2 x 402	2 x 403	402 + 420	403 + 421

## Find it fast!

You don't need to trawl through catalogues any more. Just use the product specifiers on our new website to take you straight to the specific product you want.



For maximum door height of 2340mm:  
For doors outside this scope special sizes are available.  
Please contact our sales office.

# Product features

● Standard

● Optional

## Touch bar units

Code	Description	Size (mm)			Electronic latch retraction	Alarm unit	Micro-switch	Dogging device	Reversible	CE EN1125	Certifire	Fire rated
		653	833	Bespoke								
400	Deadlocking latch	●		●		400AL	400MS	●	●	●	●	●
401	Deadlocking latch		●	●		401AL	401MS	●	●	●	●	●
402	2 Point locking with vertical Pullman latches	●		●		402AL	402MS	●	●	●	●	●
403	2 Point locking with vertical Pullman latches		●	●		403AL	403MS	●	●	●	●	●
404	3 Point locking with vertical Pullman latches	●		●		404AL	404MS	●	●	●	●	●
405	3 Point locking with vertical Pullman latches		●	●		405AL	405MS	●	●	●	●	●
416	2 Point locking with horizontal Pullman latches	●		●		416AL	416MS	●	●	●	●	●
417	2 Point locking with horizontal Pullman latches		●	●		417AL	417MS	●	●	●	●	●
418	3 Point locking with horizontal Pullman latches	●		●		418AL	418MS	●	●	●	●	●
419	3 Point locking with horizontal Pullman latches		●	●		419AL	419MS	●	●	●	●	●
TB450	Deadlocking latch with ELR	●		●	●	TB450AL	TB450MS	●	●	●		
TB451	Deadlocking latch with ELR		●	●	●	TB451AL	TB451MS	●	●	●		
TB452	2 Point locking with vertical Pullman latches & ELR	●		●	●	TB452AL	TB452MS	●	●	●		
TB453	2 Point locking with vertical Pullman latches & ELR		●	●	●	TB453AL	TB453MS	●	●	●		
TB454	3 Point locking with vertical Pullman latches & ELR	●		●	●	TB454AL	TB454MS	●	●	●		
TB455	3 Point locking with vertical Pullman latches & ELR		●	●	●	TB455AL	TB455MS	●	●	●		
TB466	2 Point locking with horizontal Pullman latches & ELR	●		●	●	TB466AL	TB466MS	●	●	●		
TB467	2 Point locking with horizontal Pullman latches & ELR		●	●	●	TB467AL	TB467MS	●	●	●		
TB468	3 Point locking with horizontal Pullman latches & ELR	●		●	●	TB468AL	TB468MS	●	●	●		
TB469	3 Point locking with horizontal Pullman latches & ELR		●	●	●	TB469AL	TB469MS	●	●	●		
413MS	Touch Bar actuator with 2 microswitches	●		●			●	●	●			
414MS	Touch Bar actuator with 2 microswitches		●	●			●	●	●			
420	Mortice actuator with cylinder mortice night latch	●		●		420AL	420MS	●	●			
421	Mortice actuator with cylinder mortice night latch		●	●		421AL	421MS	●	●			
423	Mortice actuator without cylinder mortice night latch	●		●		423AL		●	●			
424	Mortice actuator without cylinder mortice night latch		●	●		424AL		●	●			

## Outside access devices

Code	Description	Incorporates cylinder	Euro cylinder	UK oval cylinder	Available without cylinder	Re-keyable	Reversible
409	OAD with knob	●					●
410	OAD with lever		410EC	410OC	●	●	●
411	OAD with T-bar knob		411EC	411OC	●	●	●
CL1	Mechanical push button code lock					●	●
CL2	Mechanical push button code lock with passage function					●	●
CL3	Quick Code Mechanical push button code lock (Code can be changed without removing the unit)					●	●
CL4	Quick Code Mechanical push button code lock with passage function (Code can be changed without removing the unit)					●	●

## Keeps and Pullman latch options

Code	Description
406A	Horizontal Pullman latch side keep for rebated double doors
406B	Centre unit latch keep for rebated double doors
3402	Pullman latch keep
4401	Centre latch keep
408	Horizontal Pullman latch kit

- 653mm bars are suitable for door widths 685mm to 900mm.
- 833mm bars are suitable for door widths 865mm to 1200mm.
- The following size bars are kept in addition to the 653mm and 833mm. 603mm, 553mm, 503mm, 453mm and 403mm. Any sizes greater than 833mm but under 1200mm can be made to order. Please contact our sales office for more details.
- Minimum size for the electronic latch retraction bar is 553mm
- For dogging devices please add WD to the product code - products with dogging devices are not fire rated.

# Range and features of 400 series

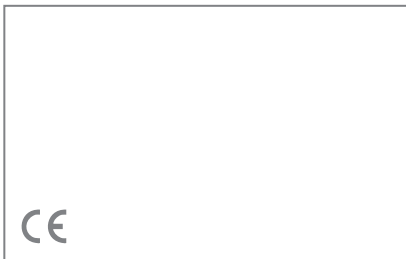
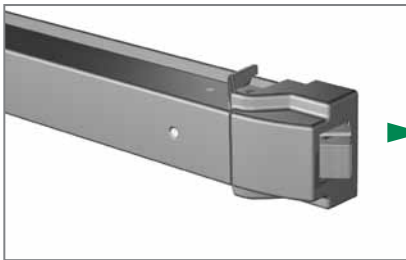
- Suitable for wood or steel doors.
- CE marked for safety.
- Certified to EN1125: 2008.
- Non handed.
- Deadlocking latch bolt.
- Certifire approved for timber and steel doors.
- Patented lip to prevent intentional or accidental jamming.
- Two standard sizes.
- 5 special sizes.
- Other sizes to order.

- Standard colours silver, black with green or white with green Touch Bar.
- Plated and other RAL/Hewi colours available on request.

## Optional Extras:

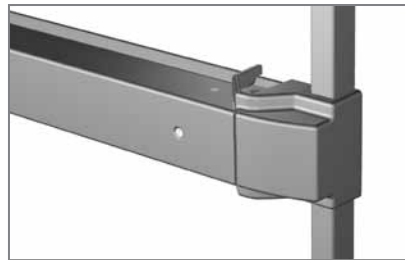
- Built in electronic latch retraction (excluding 413, 414, 420 and 421).
- Built in alarm.
- Built in dogging device.
- Built in microswitch.

**1 point Touch Bar latch**



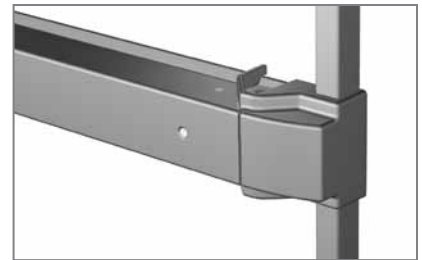
**400 / 401**  
Touch Bar deadlocking latch.

**2 point Touch Bar with vertical Pullman latches**



**402 / 403**  
Touch Bar 2 point locking with vertical Pullman latches.

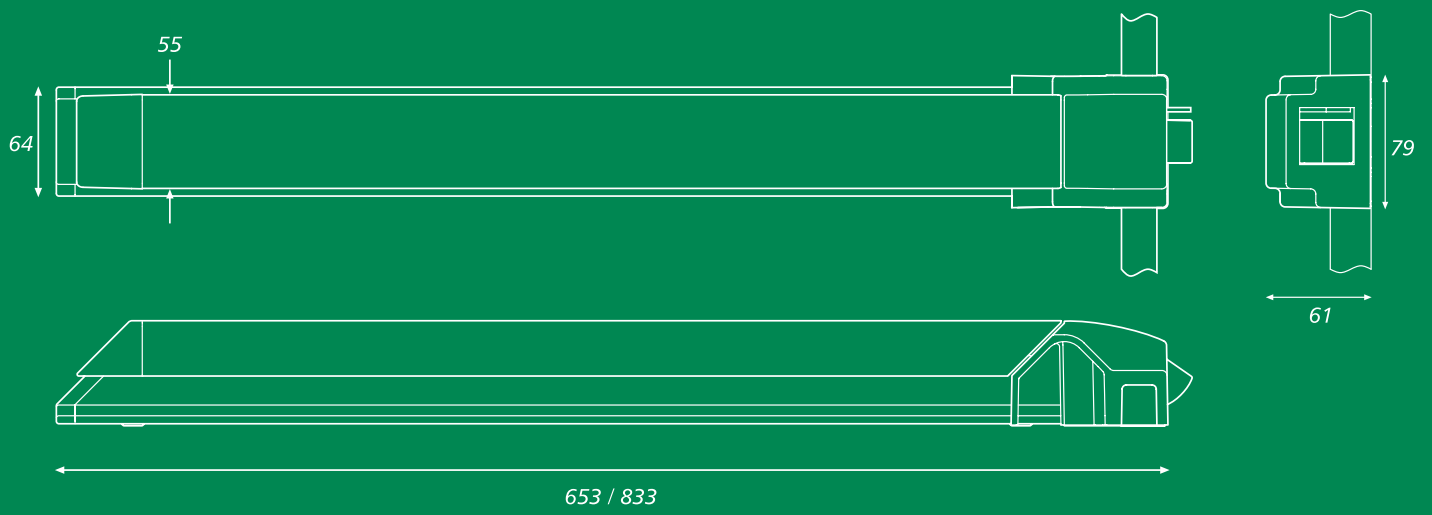
**2 point Touch Bar with horizontal Pullman latches**



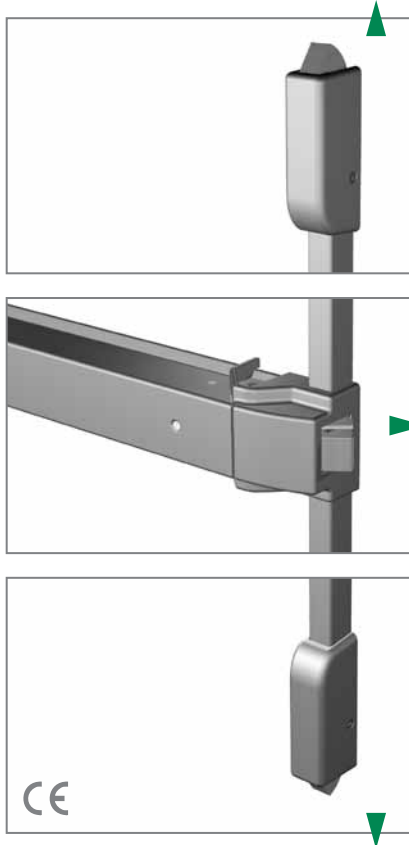
**416 / 417**  
Touch Bar 2 point locking with horizontal Pullman latches.





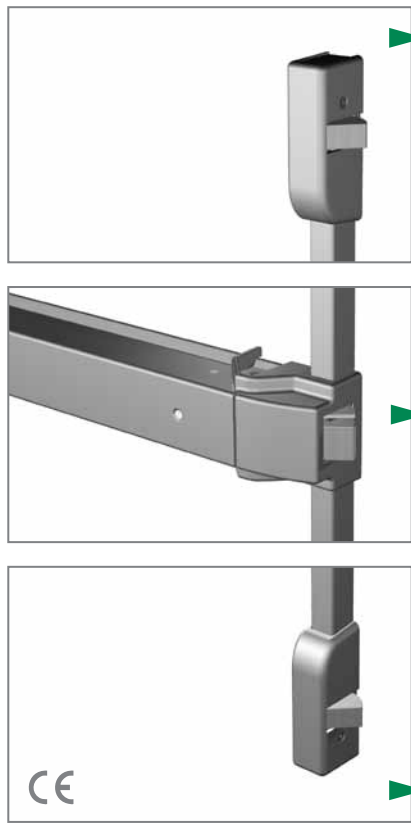


**3 point Touch Bar with vertical Pullman latches**



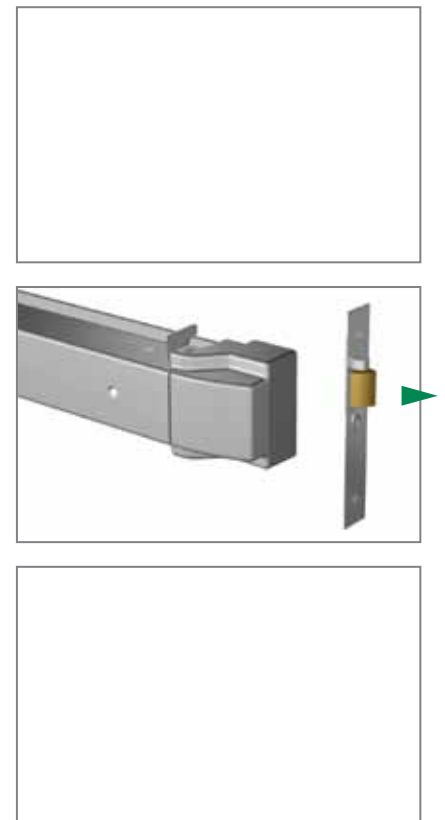
**404 / 405**  
Touch Bar 3 point locking with vertical Pullman latches.

**3 point Touch Bar with horizontal Pullman latches**



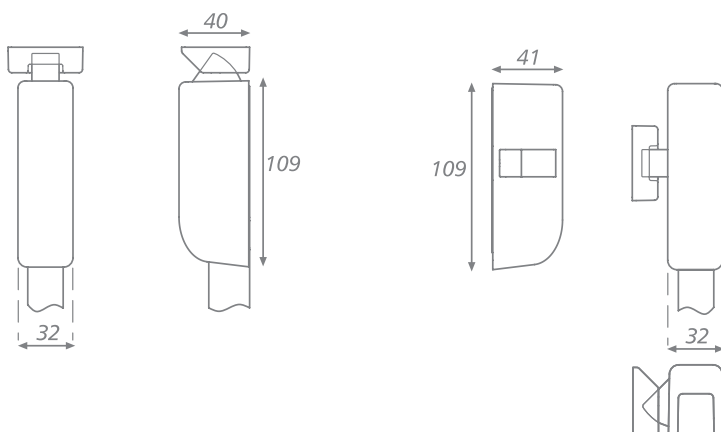
**418 / 419**  
Touch Bar 3 point locking with horizontal Pullman latches.

**Actuator Touch Bar**



**420 / 421**  
Touch Bar 1 point locking via cylinder mortice night latch:

- Supplied with or without cylinder mortice night latch.



# Accessories

## Outside access devices

Outside access devices are used when convenient exit or entry is required from the outside of the door, whilst maintaining the security of the building. There are three main types of OAD for the Exidor 400 series available, depending on the user's requirements.

All the Exidor 400 series OAD's have been certified for use with the Exidor 400 range of bolts and latches. The use of any other OAD will invalidate the CE marking on these products.

### Features include:

- All but the economical knob version are available in either Euro or UK oval profile, and can be supplied either with or without the cylinder to allow integration with the buildings locking system.
- When required, a 40mm cylinder is supplied with the unit, and these cylinders can also be keyed alike on request.
- All OAD's are universal handing and the lever version can be easily handed on site.
- Surface mounted using concealed screws.
- Supplied as standard for doors up to 70mm thick.
- Longer spindles available on request for doors over 70mm thick.
- Fire rated for use on timber and steel doors.
- Standard colour is silver, but other RAL/HEWI colours are available on request.

Code	Description
409	Economical knob OAD (cylinder cannot be removed)
410	OAD lever with 40mm Euro or UK oval cylinder aperture. Can be supplied either with or without cylinder
411	T-bar knob with 40mm Euro or UK oval cylinder aperture. Can be supplied either with or without cylinder



**409**  
Economical knob OAD

- 5 pin cylinder supplied with 2 keys.
- Cylinder cannot be removed.
- Non handed.
- When locked, the mechanism is disengaged allowing the knob to freely rotate.



**410**  
OAD lever

- Supplied in either Euro or UK oval profile.
- Supplied either with or without 40mm cylinder.
- When locked, the mechanism is disengaged allowing the lever to freely rotate.



**411**  
OAD T-bar knob

- Supplied in either Euro or UK oval profile.
- Supplied either with or without 40mm cylinder.
- When locked, the mechanism is disengaged allowing the knob to freely rotate.

In addition to the keyed OAD's, a push button mechanical code lock with lever is available when keyless access with security is required.

### CL1 / CL2 / CL3 / CL4

#### Push button mechanical code lock

- 1,584 Different codes available
- 4 Versions available – with or without passage function
- Non handed
- Reversible safety lever
- Surface mounted using concealed screws
- Clutch protection on outside lever
- Supplied with spindles for doors from 35mm to 60mm thick

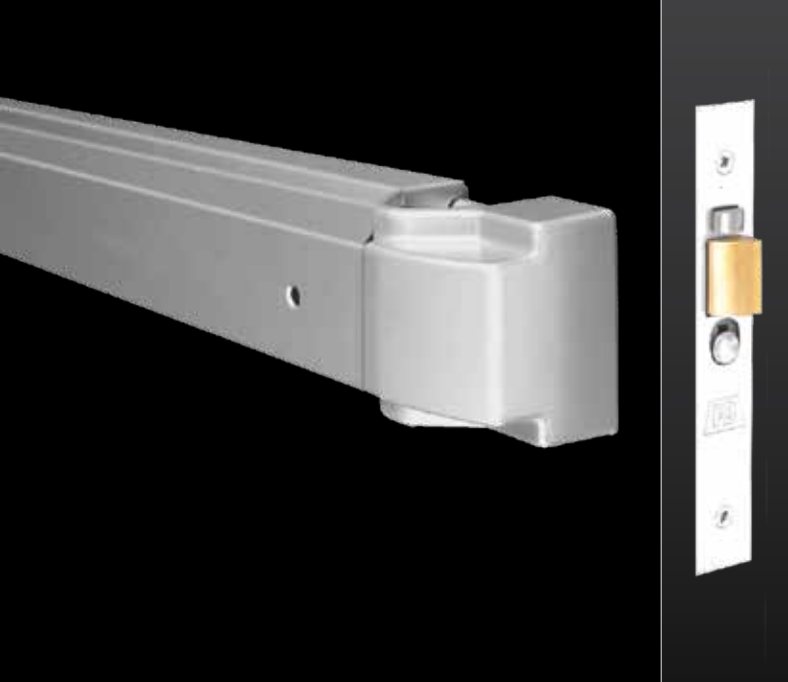
Code	Description
CL1	Heavy duty mechanical code lock
CL2	Heavy duty mechanical code lock with passage function
CL3	Heavy duty quick code mechanical code lock (code can be changed without removing the unit)
CL4	Heavy duty quick code mechanical code lock with passage function (code can be changed without removing the unit)



CL1 / CL2



CL3 / CL4



Code	Description
P3054	Euro profile cylinder for cylinder mortice night latch
P1803	Key blank for Euro profile cylinder
P5012	12mm rebate set for cylinder mortice night latch
P5019	19mm rebate set for cylinder mortice night latch
P5025	25mm rebate set for cylinder mortice night latch

\* Please note that rebate kits are handed.

### Accessories for actuator units

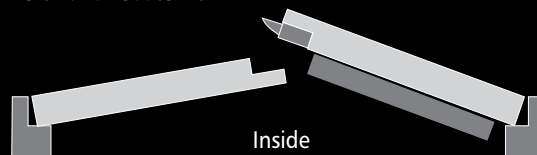
To compliment the actuator Touch Bar range, cylinders and rebate kits for the mortice night latch are offered, along with key blanks for additional keys.

The cylinder night latches are normally supplied without a cylinder to allow them to be integrated into the buildings locking system, so, if a cylinder is required it must be ordered as a separate item.

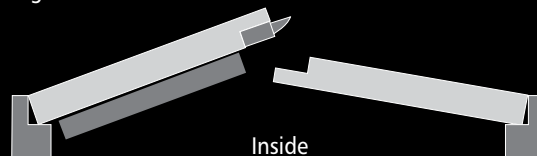
Cylinders can be keyed alike, on request.

Rebate kits are used when the actuator units are being fitted to a pair of rebated doors, and are offered in three sizes, depending on the rebate depth.

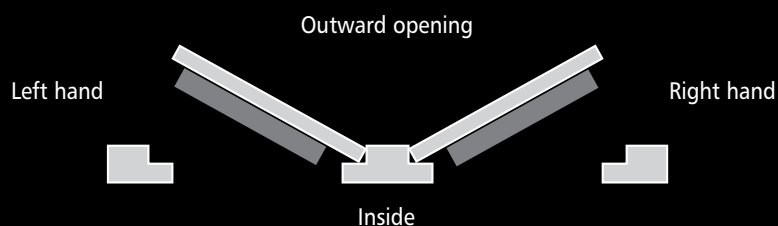
Left hand rebate kit



Right hand rebate kit



### Handing for 400 series



### Touch Bar keep options

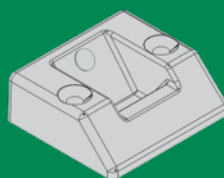
When being fitted to double rebated doors, or flush fitting doors and frames, the following keeps must be used.



406A



406B



3402



4401

Code	Description
406A	Horizontal Pullman latch side keep
406B	Centre unit latch keep for rebated double doors
3402	Pullman latch keep
4401	Centre latch keep

Uniclass L4181	EPIC D181
CI/SfB (31.59)	X

**National Seal Systems & Alpha Hardware Limited**  
 Unit 210 Holly Road, Western Industrial Estate, Naas Road, Dublin 12  
 Ph: 01-4565170 Fax: 01-4502371 Email: info@nationalseal.ie Web: www.nationalseal.ie



Every effort has been made to ensure the accuracy of the particulars contained in this brochure. All details and specifications were deemed correct at time of going to press. However, Exidor Limited reserve the right to alter specifications with or without prior notice and at such times in a manner they think fit. Customers are advised to call Exidor Limited on +44 (0) 1543 578661 if they require further details or clarification of specifications.