

EXIDOR

**National
Seal Systems
Limited**

Unit 210 Holly Road, Western Industrial Estate,
Naas Road, Dublin 12
Ph 00353-1-4565170 Fax 00353-1-4502371
Email: info@nationalseal.ie web: www.nationalseal.ie

Exidor

PANIC & EMERGENCY EXIT HARDWARE

RANGE BROCHURE



What's inside

04	200 / 300 Series	12	Door Seals
06	400 Series	13	Codelocks
08	500 Series	14	Keep Options
10	700 Series	15	Technical Specifications

Guarantee

To support the high quality and first class engineering that has gone into the Exidor range, the manufacturer gives a ten year guarantee for mechanical components and a one year guarantee for electrical components (subject to conditions) against defects due to faulty manufacturing, workmanship or defective material. The manufacturer agrees to replace any defective Exidor product free of charge provided the product has been fitted in accordance with the fitting instructions and maintained correctly.

Technical Support

Comprehensive information and technical support services are available by contacting:

 **National
Seal Systems
Limited**

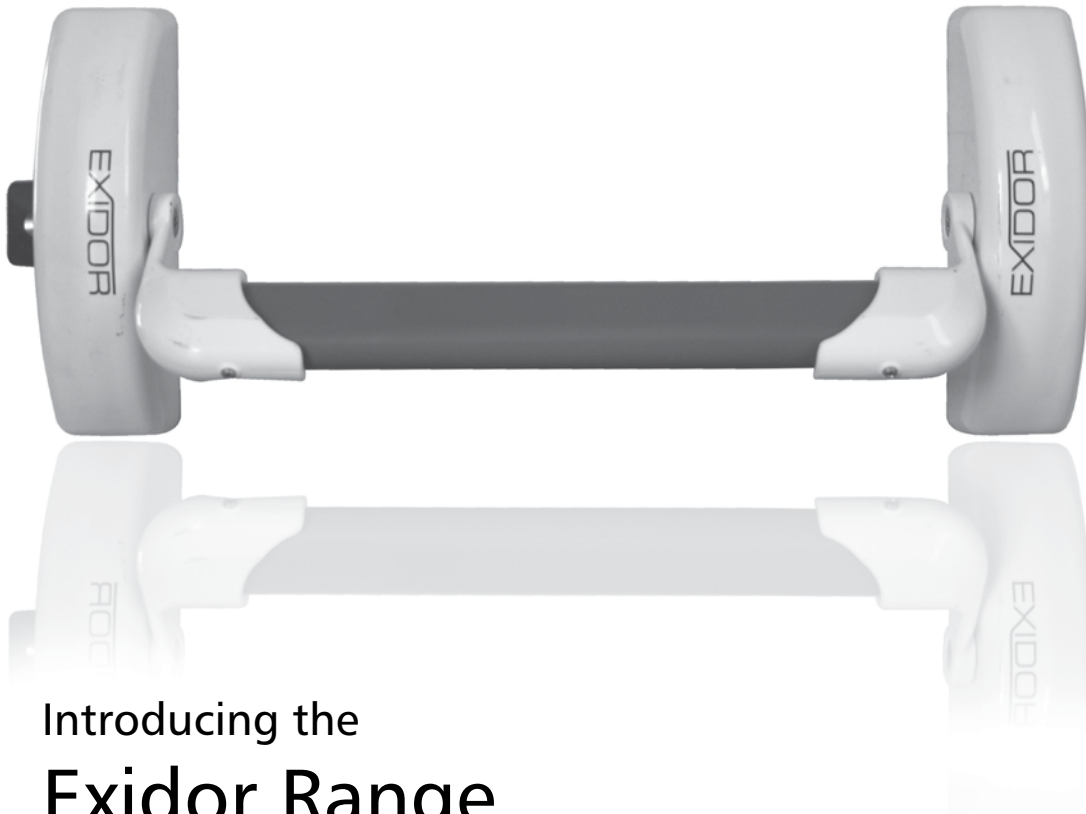
Unit 210 Holly Road, Western Industrial Estate,
Naas Road, Dublin 12
Ph 00353-1-4565170 Fax 00353-1-4502371
Email: info@nationalseal.ie web: www.nationalseal.ie

There are a number of enhancements we've made to the Exidor website. You'll also find new company info, technical data, and downloadable pdfs of the latest product literature – all presented in a clear and contemporary style that we hope you'll enjoy.

We're aiming to keep on improving the website, with more new specifiers on the way, and additions to our gallery of products and projects. If you have comments and ideas on ways we can make it even better and more useful, just let us know.



CE marked for Safety
Certified for use on Fire Doors
Certified to European EN Standards



Introducing the Exidor Range

Exidor Limited is the British manufacturer of the Exidor panic and emergency exit hardware, which are manufactured to ISO 9001. The company has over 60 years experience in manufacturing quality ironmongery such as tower bolts, suffolk latches and hasp and staples before introducing the Exidor range into its portfolio.

Combining attractive styling with quality engineering, the Exidor range is as tough and rugged as it is stylish and good looking. Exidor's design is characterised by attention to detail to ensure optimum safety.

All the Exidor panic and emergency exit hardware devices are designed to give instant escape, when required, by means of either a push pad, push bar, lever handle or Touch Bar on single or double doors, and can be operated from the outside of the door by an outside access device. When the outside access device is locked the door can still be released from the inside.

Standards

The Exidor range is tested by an independent test house to the latest European standards EN179 and EN1125 and is CE marked. A number of products are also Certifire approved.

Availability

The Exidor range is available worldwide through all leading architectural ironmongers, locksmiths, builders merchants and selected wholesalers.

Exidor 200/300 Series

CONSTRUCTION

The main body and slave units are constructed of die cast aluminium with extruded aluminium guides. The internal components and shoot ends are of solid steel with tubular steel shoots, and the latch bolts are in extruded brass.

FINISH

Exidor Ltd use epoxy powder coating for all painted surfaces to give a quality finish to our products, and offers silver, black or white as standard colours for the Exidor 200 and 300 series.

Brass and stainless steel plated finishes are also available but are not recommended for external use or outside access devices.

Exidor Ltd also offer a range of popular Hewi & RAL colours to match other ironmongery products that may be fitted. When ordering please suffix the product code with the Hewi or RAL number.

FIXINGS

Surface mounted with full instructions and templates supplied with each unit.

STANDARDS

Standard sized units are suitable for doors up to 2440mm high and 1220mm wide. Special sizes are available on request for doors outside this scope.

ACCESSORIES

304 Alarm Unit



299 Dogging Device



CROSS BAR UNITS
EN1125 : 2008
Classification No.
3 7 6 B 1 3 2 2 A A

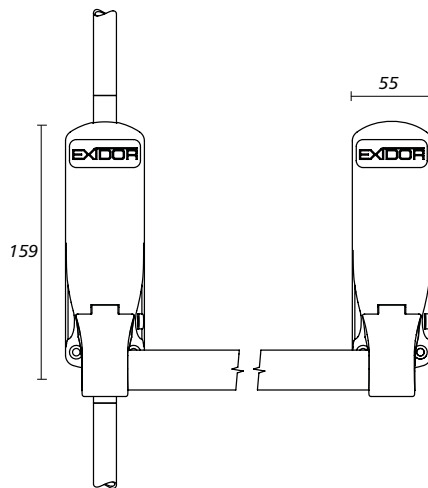
PUSH PAD UNITS
EN179 : 2008
Classification No.
3 7 6 B 1 3 4 2 B A

The Exidor emergency exit hardware range contains products that are certified to the European CEN standards EN 179 and EN 1125, are Certifire approved for use on fire rated doors and offers a design to give optimum safety and security.

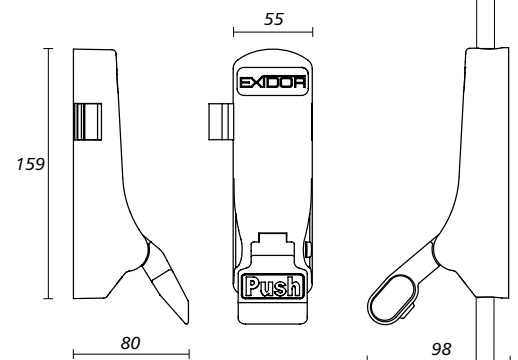
- Non-handed
- Can be microswitched to link into an access control system or monitoring system
- Tested and certified by independent test house
- CE marked for safety
- Certified for use on timber & steel fire doors
- Double door sets available
- Various keep options available for different door styles
- Anti-thrust mechanism to protect against attack
- Vertical & horizontal Pullman latches available
- Cylinder mortice night latch actuators available
- Available brass or stainless steel plated
- Available in most RAL finishes
- Standard colours silver, white or black



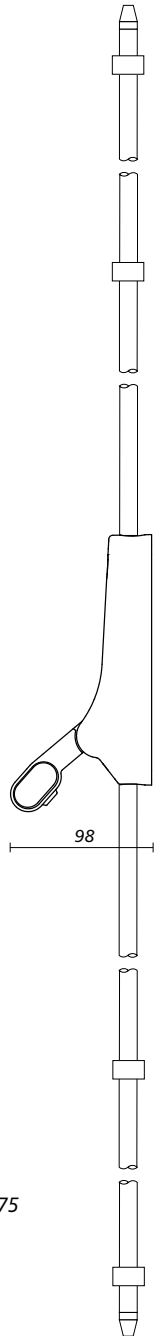
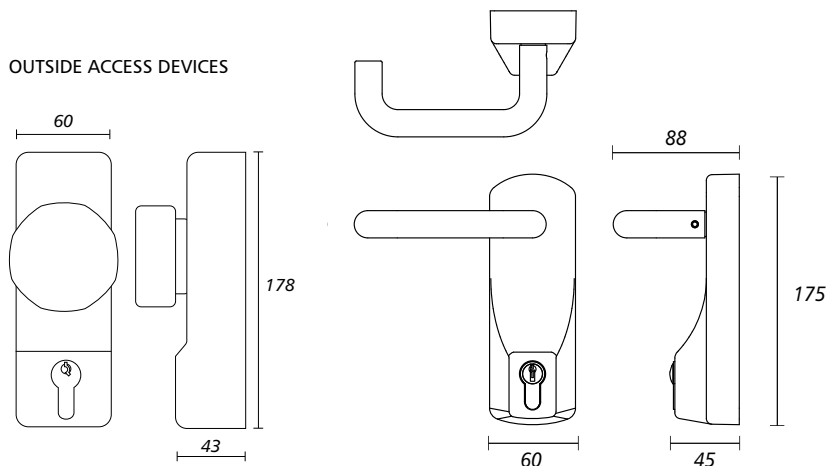
SINGLE PANIC BOLT



PUSH PAD PANIC LATCH



OUTSIDE ACCESS DEVICES



All measurements in mm

Single Point Units:



- 296 Push bar panic latch
- 297 Push pad panic latch

2 Point Units - Bolts:



- 293 Push pad single panic bolt
- 293A Push pad single panic bolt with adjustable shoots
- 294 Push bar single panic bolt
- 294A Push bar single panic bolt with adjustable shoots

Cylinder Mortice Night Latch Actuators:



- 305 Push bar mortice actuator with night latch
- 306 Push pad mortice actuator with night latch

Double Door Sets:



- 285 Rebated double door set
- 285A Rebated double door set with adjustable shoots
- 309 Rebated double door set with vertical & horizontal Pullman latches
- 317 Rebated double door set with panic latch and vertical Pullman latches
- 284 Non-rebated double door set
- 284A Non-rebated double door set with adjustable shoots
- 316 Non-rebated double door set with vertical Pullman latches

2 Point Units- Pullman Latches:



- 307 Push pad single panic bolt with horizontal Pullman latches
- 308 Push bar single panic bolt with horizontal Pullman latches
- 310 Push pad single panic bolt with vertical Pullman latches
- 311 Push bar single panic bolt with vertical Pullman latches

Outside Access Devices:



- 298 Outside access device (cylinder can not be changed)
- 302EC Outside access device with knob and Euro profile cylinder
- 302EA Outside access device with knob and Euro profile aperture
- 322EC Outside access device with lever and Euro profile cylinder
- 322EA Outside access device with lever and Euro profile aperture

Exidor 400 Series

CONSTRUCTION

The main top and bottom channel are manufactured from rolled steel. The internal components on the 400 Series are manufactured from zinc plated steel and pressure die cast aluminium.

The latch bolt and Pullman latches are stainless steel with the latch covers in die cast aluminium.

FINISH

A choice of powder coated finishes are available with green / black, green / white and silver being stocked. Most popular RAL / Hewi colours are available on request. Plated finishes such as brass and stainless steel are available, but not recommended for external use or outside access devices.

FIXINGS

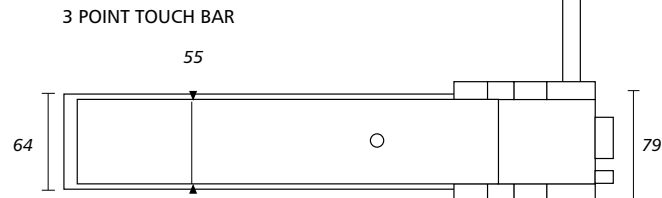
Surface mounted with full instructions and templates supplied with each unit.

STANDARDS

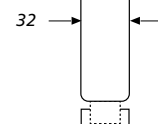
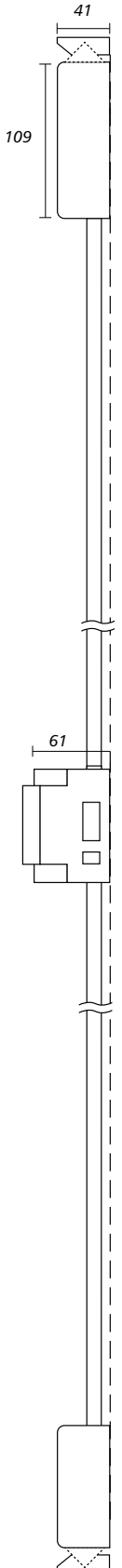
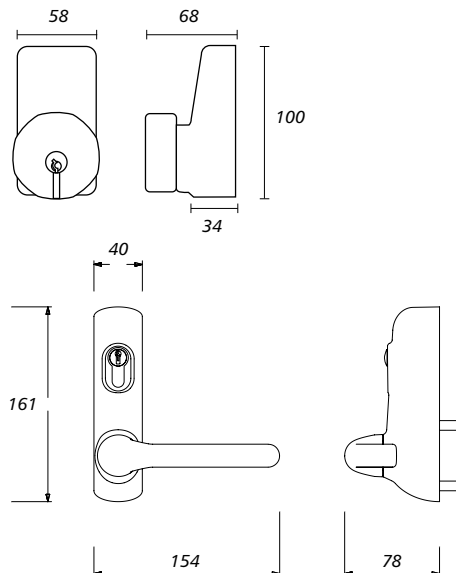
Two standard sizes are available, one for 685 - 900mm openings and one for 865 - 1200mm openings. Both units will fit doors up to 2340mm high. The Touch Bar units are designed so that no cutting down to the width is necessary on site. For special widths the manufacturer will supply the units to the exact size requested, thus eliminating the chances of components being mislaid or Touch Bars being re-assembled incorrectly. The Touch Bars cannot be cut once they leave the factory.

The Touch Bar emergency exit hardware range offers many advantages. Products are certified to the European CEN standard EN 1125 and are additionally Certifire approved for use on fire rated doors. An electronic latch retraction version is available allowing integration with the buildings access control system.

- Non-handed
- Available as single, two or three point locking
- Cylinder mortice night latch actuators available
- Two standard sizes
- Other sizes available upon request
- CE marked for safety
- Certified for use on timber & steel fire doors
- Built in dogging device available upon request
- Anti-thrust on single and three point units
- Available with vertical or horizontal latches
- Patented lip to prevent intentional or accidental jamming
- Integral grip to pull doors closed
- Available with built-in alarm upon request
- Available with built-in microswitches upon request
- Available brass or stainless steel plated
- Available in most RAL finishes
- Standard colours silver, black with green Touch Bar and white with green Touch Bar



OUTSIDE ACCESS DEVICES



TOUCH BAR UNITS

EN1125 : 2008

Classification No.

3 7 6 B 1 3 2 2 B A

All measurements in mm

Touch Bar

Single Point Units:



- **400** Dead locking latch for doors up to 900mm wide
- **401** Dead locking latch for doors up to 1200mm wide
- **TB450** Dead locking latch for doors up to 900mm wide with electronic latch retraction
- **TB451** Dead locking latch for doors up to 1200mm wide with electronic latch retraction

Two Point Units with Pullman Latches:



- **402** Two point with vertical Pullman latches for doors up to 900mm wide
- **403** Two point with vertical Pullman latches for doors up to 1200mm wide
- **416** Two point with horizontal Pullman latches for doors up to 900mm wide
- **417** Two point with horizontal Pullman latches for doors up to 1200mm wide
- **TB452** Two point with vertical Pullman latches for doors up to 900mm wide with electronic latch retraction
- **TB453** Two point with vertical Pullman latches for doors up to 1200mm wide with electronic latch retraction
- **TB466** Two point with horizontal Pullman latches for doors up to 900mm wide with electronic latch retraction
- **TB467** Two point with horizontal Pullman latches for doors up to 1200mm wide with electronic latch retraction

Three Point Units with Pullman Latches:



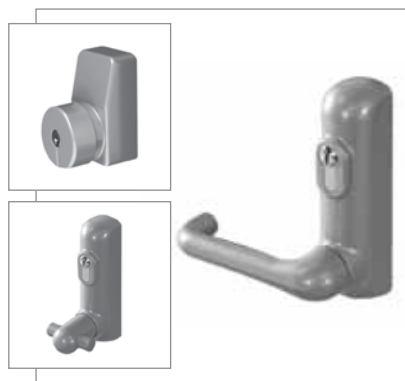
- **404** Three point with vertical Pullman latches for up doors to 900mm wide
- **405** Three point with vertical Pullman latches for doors up to 1200mm wide
- **418** Three point with horizontal Pullman latches for doors up to 900mm wide
- **419** Three point with horizontal Pullman latches for doors up to 1200mm wide
- **TB454** Three point with vertical Pullman latches for up doors to 900mm wide with electronic latch retraction
- **TB455** Three point with vertical Pullman latches for doors up to 1200mm wide with electronic latch retraction
- **TB468** Three point with horizontal Pullman latches for doors up to 900mm wide with electronic latch retraction
- **TB469** Three point with horizontal Pullman latches for doors up to 1200mm wide with electronic latch retraction

Cylinder Mortice Night Latch Actuator:



- **420** Mortice actuator with night latch for doors up to 900mm wide
- **421** Mortice actuator with night latch for doors up to 1200mm wide

Outside Access Devices:



- **409** Outside access device (cylinder can not be changed)
- **410EC** Outside access device with lever and Euro profile cylinder
- **410EA** Outside access device with lever and Euro profile aperture
- **411EC** Outside access device with knob and Euro profile cylinder
- **411EA** Outside access device with knob and Euro profile aperture

Alarmed Touch Bar Units:



- **400AL** Dead locking latch with alarm for doors up to 900mm wide
- **420AL** Mortice actuator with night latch & alarm for doors up to 900mm wide

Exidor 500 Series

CONSTRUCTION

The main body, slave unit and a number of internal components on the 500 series are manufactured from zinc die casting. Steel is used for the shoot ends and shoot bolts whilst the guides are made from aluminium.

FINISH

A choice of powder coated finishes are available with white / green, red / black and silver being stocked. Most popular RAL / Hewi colours are available on request.

FIXINGS

Surface mounted with full instructions and templates supplied with each unit.

STANDARDS

Standard units are suitable for doors up to 2440mm high and 1220mm wide. Special sizes are available on request for doors outside this scope.

Pullman Latch



Automatic Top Trip Bolt



CROSS BAR UNITS

EN1125 : 2008
Classification No.
3 7 6 0 1 3 2 2 A A

PUSH PAD UNITS

EN179 : 2008
Classification No.
3 7 6 0 1 3 2 2 B A

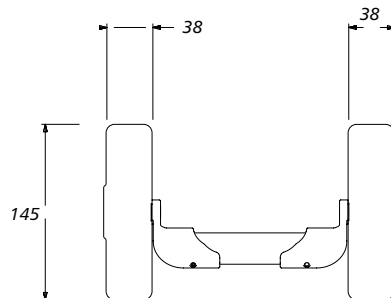
The Exidor 500 series panic and emergency exit hardware range contains products that are certified to the European CEN standards EN 179 and EN 1125 and offer a design that gives optimum safety and security with a modern style.

UK PATENT No. 0515808.4

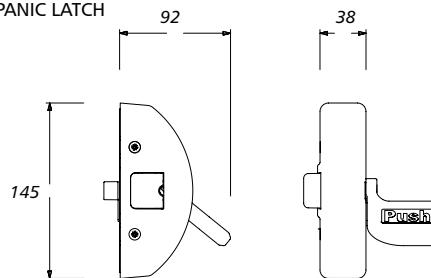
- Non-handed
- Tested by an independent test house
- CE marked for safety
- Cross bar or push pads
- Standard bolts & latches
- Vertical & horizontal Pullman latches
- Various keep options available for different door styles
- Available in most RAL colours
- Standard colours: white with green cross bars, black with red cross bars and silver.



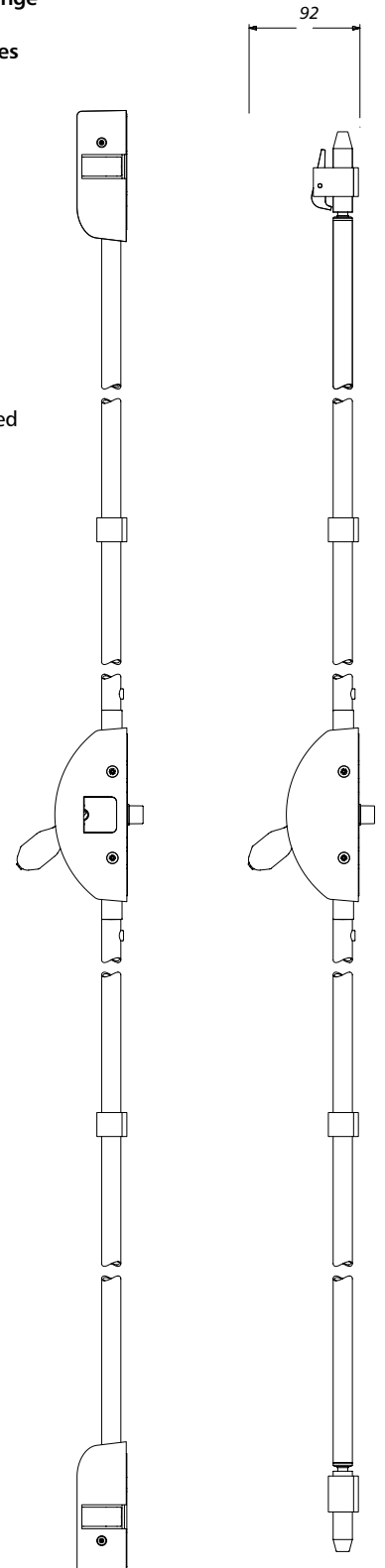
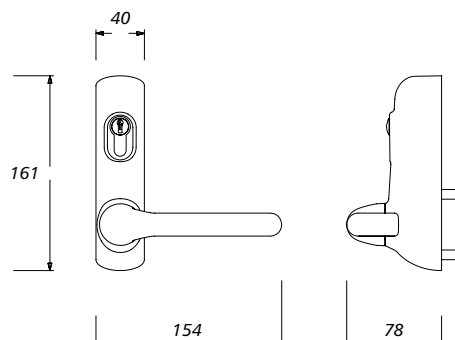
PUSH BAR PANIC LATCH



PUSH PAD PANIC LATCH



OUTSIDE ACCESS DEVICES



All measurements in mm

Narrow Style

Latch Units:



- 501-B Push bar panic latch
- 501-P Push pad panic latch

3 Point Units with Bolts or Pullman Latches:



- 503A-B Push bar 3 point panic bolt with adjustable shoots
- 503A-P Push pad 3 point panic bolt with adjustable shoots
- 513-B Push bar 3 point panic bolt with vertical Pullman latches
- 513P Push pad 3 point panic bolt with vertical Pullman latches
- 523-B Push bar 3 point panic bolt with horizontal Pullman latches
- 523-P Push pad 3 point panic bolt with horizontal Pullman latches

2 Point Units with Bolts or Pullman Latches:



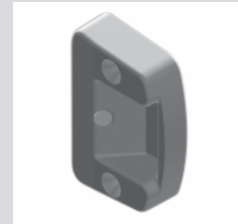
- 502A-B Push bar 2 point panic bolt with adjustable shoots
- 502A-P Push pad 2 point panic bolt with adjustable shoots
- 512-B Push bar 2 point panic bolt with vertical Pullman latches
- 512P Push pad 2 point panic bolt with vertical Pullman latches
- 522-B Push bar 2 point panic bolt with horizontal Pullman latches
- 522-P Push pad 2 point panic bolt with horizontal Pullman latches

Outside Access Devices:

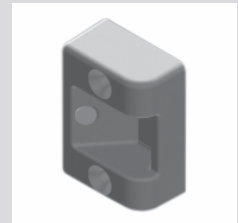


- 500-LEC Outside access device - lever operated with Euro profile cylinder
- 500-LEA Outside access device - lever operated with Euro profile aperture
- 500-KEC Outside access device - knob operated with Euro profile cylinder
- 500-KEA Outside access device - knob operated with Euro profile aperture

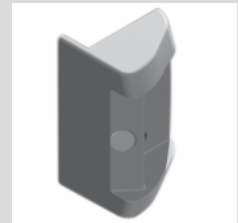
Keep options for timber, UPVc and aluminium doors



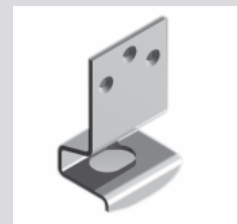
SL-0140 Timber single door centre latch keep



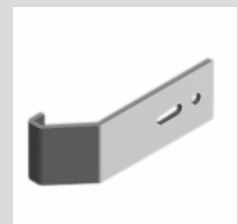
SL-0142 Timber single door horizontal latch keep



SL-0144 Timber single rebated double door centre latch keep



SL-0150 UPVc top trip keep for bolts



SL-0156 UPVc double door horizontal Pullman latch keep

Exidor 700 Series

CONSTRUCTION

The main body and slave units are constructed from a mixture of steel and stainless steel. The internal components are manufactured from steel and the shoot ends are of solid steel with tubular steel rods.

FINISH

The 700 series is available in grey (RAL 7016), nickel plated stainless steel effect and solid stainless steel. The plated finish is not recommended for external use or outside access devices.

FIXINGS

Surface mounted with full instructions and templates supplied with each unit.

STANDARDS

Standard units are suitable for doors up to 2440mm high and 1210mm wide. Special sizes are available on request for doors outside this scope.



During severe attacking from the outside the bolts still hold the door secure.



Continual attacking has jammed the mechanism but kept the door secure and stopped entry from the outside.



CROSS BAR UNITS

EN1125 : 2008
Classification No.
3 7 6 0 1 3 2 1 A A

LEVER HANDLE UNITS

EN179 : 2008
Classification No.
3 7 6 0 1 3 5 1 A A/D

The Exidor heavy duty range contains products for applications where a greater degree of security and durability is required. Products within the range have been used on security doors and approved to LPS1175 Level 2 (burglary resistance test).

CROSS BAR UNITS FOR PANIC EXIT SITUATIONS

- CE marked for safety
- Non-handed
- Certified to EN 1125 : 2008
- Two, three and four point options available
- 30mm bolt throw
- Adjustable shoots at the top & bottom
- Anti-thrust on bottom shoot

HIGH SECURITY MULTI-BOLT APPLICATIONS

- Lever handle and cross bar operation
- Two, three and four point multi bolt system for security applications
- Automatic top trip for auto locking
- 30mm bolt throw

OUTSIDE ACCESS DEVICE

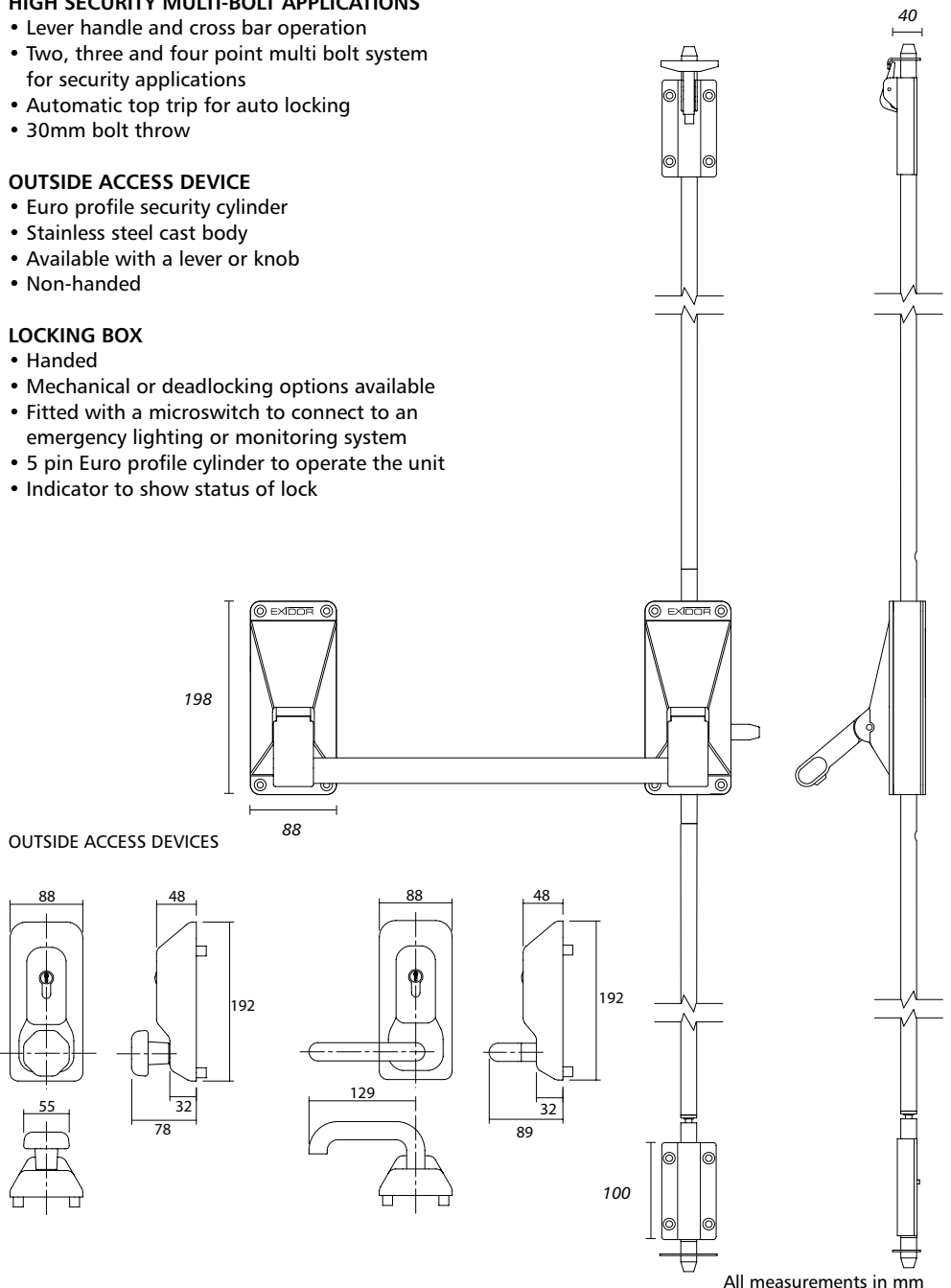
- Euro profile security cylinder
- Stainless steel cast body
- Available with a lever or knob
- Non-handed

LOCKING BOX

- Handed
- Mechanical or deadlocking options available
- Fitted with a microswitch to connect to an emergency lighting or monitoring system
- 5 pin Euro profile cylinder to operate the unit
- Indicator to show status of lock

LEVER HANDLE UNITS FOR EMERGENCY EXIT SITUATIONS

- CE marked
- Non-handed
- Two, three and four point system options available
- Certified to EN 179 : 2008
- 30mm bolt throw
- Adjustable shoots at the top & bottom
- Anti-thrust on bottom shoots



Heavy Duty Security System

2 Point & 3 Point Cross Bar Units:



- **702B/30S** Two point push bar unit with 30mm bolt throw for steel doors
- **702B/30T** Two point push bar unit with 30mm bolt throw for timber doors
- **703B/30S** Three point push bar unit with 30mm bolt throw for steel doors
- **703B/30T** Three point push bar unit with 30mm bolt throw for timber doors

4 Point Cross Bar Units:



- **704B/30S** Four point push bar unit with 30mm bolt throw for steel doors
- **704B/30T** Four point push bar unit with 30mm bolt throw for timber doors

Lever Handle Devices:



- **702L/30S** Two point lever unit with 30mm bolt throw for steel doors
- **703L/30S** Three point lever unit with 30mm bolt throw for steel doors
- **704L/30S** Four point lever unit with 30mm bolt throw for steel doors
- **732L/30S** Two point lever unit with 30mm bolt throw inward opening for steel doors
- **733L/30S** Three point lever unit with 30mm bolt throw inward opening for steel doors

Outside Access Devices:



- **709EC** Outside access device with knob and Euro profile cylinder
- **709EA** Outside access device with knob and Euro profile aperture
- **710EC** Outside access device with lever and Euro profile cylinder
- **710EA** Outside access device with lever and Euro profile aperture

Multi-Point Bolts:



- **712L/30S** Two point multi-point bolt unit with 30mm bolt throw for steel doors
- **713L/30S** Three point multi-point bolt unit with 30mm bolt throw for steel doors
- **714L/30S** Four point multi-point bolt unit with 30mm bolt throw for steel doors

Locking Boxes:



- **705EC/LH** Locking box with Euro cylinder - left handed
- **705EC/RH** Locking box with Euro cylinder - right handed
- **705DEC/LH** Automatic deadlocking box with an offset Euro profile thumbturn cylinder - left handed
- **705DEC/RH** Automatic deadlocking box with an offset Euro profile thumbturn cylinder - right handed



Heavy Duty Tower Bolt:
HS923/10 254mm long

Other options are also available, see product selector 700 series on www.exidor.co.uk

Exidor Door Seal Range

Exidor offers a wide range of emergency & panic exit hardware which are CE marked and fire rated. The door seals compliment the range and offer a number of barrier benefits, such as the intrusion of sound, fire, smoke, rain, draughts, dust, light, insects and vermin.

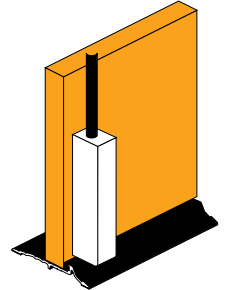


ES1 - THRESHOLD SEAL

The ES1 is a weather proof threshold plate seal suitable for outward opening broad butt hinged doors. It is ideal for use with Exidor 300 and 400 series exit devices.

ADVANTAGES:

- Replaces floor mounted keep
- Conforms to the DDA and Building Regulations Document M
- Weather, fire, smoke, and acoustic seal all in one

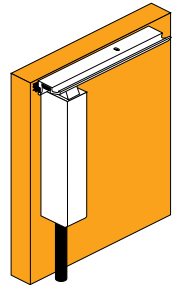


ES2 - TOP HEADER SEAL

The ES2 is a weather proof header seal suited to outward opening broad butt hinged doors. It is ideal for use with a Exidor 300 and 400 series exit device.

ADVANTAGES:

- Replaces header rail keep
- Weather, fire, smoke, and acoustic seal all in one

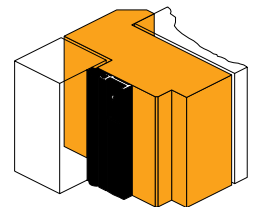


ES3 - SIDE / FRAME SEAL

A weather and acoustic seal designed for installation on door stops. Its aluminium carrier is sturdy and slotted for adjustment with concealed fixings. It is quick and easy to install around the jamb and can be fitted without removing the door.

ADVANTAGES:

- Fits to existing frame
- Concealed fixing
- Weather, fire, smoke, and acoustic seal all in one

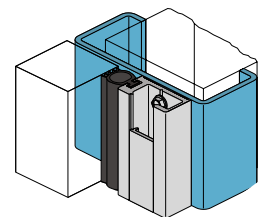


ES4 - SIDE / FRAME SEAL

The ES4 has been designed to replace the conventional door stop. Its proven excellent acoustic qualities make it particularly suitable in heavy traffic areas that sustain high abuse, such as in hospitals, hotels, airports and prisons. Concealed behind an aluminium cover strip can be found a space for low voltage cable management along with adjustable fastener slots for achieving perfect fitment.

ADVANTAGES:

- Acts as a door stop
- Channel for electrical wiring
- Concealed fixing
- Weather, fire, smoke, and acoustic seal all in one

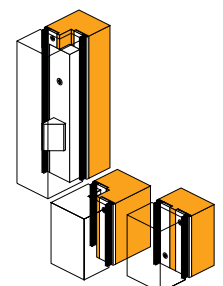


ES5 - CENTRE DOOR SEAL FOR DOUBLE DOORS

A medium temperature smoke astragal seal designed for plain or rebated meeting stiles of timber double doors where a centre latch bolt may be required, or where both double doors are active. The seal is achieved by a pair of silicon fins that conform to the 200 degrees Celcius requirement of BCA Ref: C3.4.

ADVANTAGES:

- Seals the centre of both plain and rebated meeting stiles on double doors
- Weather, fire, smoke, and acoustic seal all in one



Exidor Codelock

The Exidor push button mechanical Codelocks are heavy duty units with a full size lever handle for use in high traffic situations. The lever handle allows them to be used as the primary lock for most doors, whilst offering control of access from the outside.

FEATURES

- Exclusive to Exidor – spindles to suit door thicknesses 35 – 60mm
- Heavy duty mechanical Codelock
- PVD (physical vapour deposition) finish, offering wear resistance, oxidation resistance and a hardness ideal for outdoor use
- Stainless steel finish
- Vandal resistant with stainless steel buttons
- Clutch protection on outside lever
- Non-handed
- Reversible safety lever handle
- Functions with:-
 - Exidor 200 series panic latches
 - Exidor 300 series mortice actuator
 - Exidor 400 series mortice actuator
 - Exidor 400 series Touch Bar latch and Pullman latches
 - Exidor 500 series bolts and Pullman latches
- Easy code change, non sequential 4 digit code on CL1 and CL2
- Quick code change without removing the unit on CL3 and CL4
- Key over-ride on CL3 and CL4
- 1,584 different codes available
- Neoprene seal provides friction against the face of the door and prevents damage to door face from over tightening the device.
- Passage function - code free entry mode on CL2 and CL4 only by turning the slotted button 90 degrees, allowing access for other users without entering the code.

The Exidor push button mechanical Codelock allows access from the outside of a door without compromising the safety on the inside when using the Exidor panic and emergency exit hardware range.

Exidor push button mechanical Codelocks are ideal for use on final exit doors where security is very important, but manual keys do not wish to be considered. They are also ideal for buildings with a frequent change of personnel such as student accommodation, sport centres, colleges and schools.

Four options are available, with or without passage function and with or without quick code facility.

FIXING

The unit is supplied with spindles and bolt-through fixing bolts to suit the Exidor 200, 300, 400 and 500 series range of panic & emergency exit hardware.

SIZE

The units are provided with spindles to suit 35 – 60mm door thicknesses.

Code	Description
CL1	Heavy duty mechanical Codelock OAD
CL2	Heavy duty mechanical Codelock OAD with passage function
CL3	Heavy duty quick code mechanical Codelock with key over-ride (code can be changed without removing the unit)
CL4	Heavy duty quick code mechanical Codelock with passage function and key over-ride (code can be changed without removing the unit)



CL1 / CL2



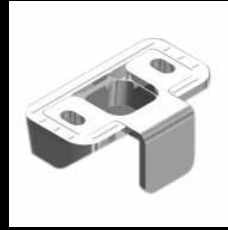
CL3 / CL4

Exidor Keep Options



2401 TOP TRIP KIT

- Used for standard bolts on UPVC doors/ frames.
- Kit supplied includes spacers for applications where the distance between the header rail and the door face is between 14mm and 21mm.



3405A & 3405B TOP TRIP

- 3405A to suit 200 series panic bolts.
- 3405B to suit 700 series panic bolts.
- Surface mounted keeps for timber & steel top header rail.
- No need to drill clearance hole in the header rail.



2405 TOP TRIP

- For flush fitting doors / frames
- Used with 200 series and 700 series panic bolts



300 KEEP

- Used for rebated double doors for Exidor 296 push bar panic latch & 297 push pad panic latch.



3401 VERTICAL PULLMAN LATCH KEEP

- For 300 series vertical Pullman latches on flush fitting doors / frames



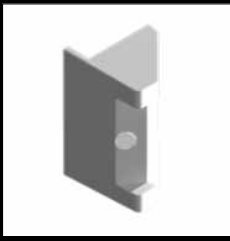
406A HORIZONTAL SIDE LATCH KEEP FOR TOUCH BAR UNITS

- Used on rebated double doors for 400 series Touch Bar horizontal side latches



3402 PULLMAN LATCH KEEP

- Standard Pullman latch keep for 300, 400 and 500 series.



406B CENTRE LATCH KEEP FOR TOUCH BAR UNITS

- Used on rebated double doors for 400 series Touch Bar centre latches



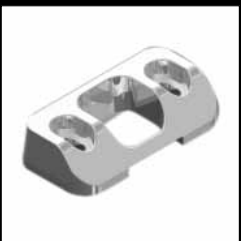
3404 LATCH KEEP

- 200 series latch keep for steel frames.



407 HORIZONTAL SIDE LATCH KEEP FOR 300 SERIES

- For 300 series horizontal Pullman latches on rebated double doors



3405 BOTTOM KEEP

- Surface mounted keep for bottom shoot bolt on timber and steel frames
- Used with 200 series and 700 series panic bolts

Exidor Technical Data

Maintenance

It is important that all panic and emergency exit hardware devices are inspected and maintained properly to ensure safety is maintained when exiting a building in any situation.

Once the device is fitted regular maintenance is recommended.

Weekly:

- Make sure the exit device functions correctly
- Any fixings that have worked loose should be re-secured
- Any damaged components should be replaced
- Ensure there are no obstructions which prevent the panic unit from functioning correctly

Every three months:

- Check for wear. Any visible worn components should be replaced

Fixing / Installation

Installation instructions are supplied with all the Exidor panic and emergency exit hardware. Provided the instructions are followed and the units are fitted by a competent person, the Exidor range will offer a high degree of safety and security. No responsibility can be accepted by the manufacturer if the installation instructions are not followed.

In order to meet the CEN European standards the door and frame should be of good quality and suitable to support the hardware.

Make sure that any weather strips or fixings on the door or frame do not interfere with the opening and closing of the door.

All bars and shoots should be cut to the exact size on site and each is supplied with loose end plugs. Unless specified all the Exidor range is supplied with all the necessary fixings for timber frames and doors. However, for alternative fixings for steel doors please contact the manufacturer or your supplier.

Fire Rating

A number of products in the Exidor range are fire rated and approved by Certifire for use on timber and steel doors to EN1634-1. The rating will depend on the certification of the fire door. It is important to realise that the hardware is required for the first part of the test until the door is sealed into the frame. After this period of time the fire door is then responsible for sealing off the area.

Passivate Protection - On Request

The passivation process gives extra protection to the steel components and is recommended when the product is to be used in harsh conditions, such as outside gates, around swimming pools or coastal areas.

Chromating - On Request

Chromating offers increased protection to the aluminium components in harsh condition such as outside gates, around swimming pools or coastal areas.

A subsidiary of
chamberlin plc



EXIDOR

National
Seal Systems
Limited

Unit 210 Holly Road, Western Industrial Estate.
Naas Road, Dublin 12
Ph 00353-1-4565170 Fax 00353-1-4502371
Email: info@nationalseal.ie web: www.nationalseal.ie

Uniclass L4181	EPIC D1831
CI/SfB (31.59)	X

Issue 3 EX326



Every effort has been made to ensure the accuracy of the particulars contained in this brochure. All details and specifications were deemed correct at time of going to press. However, Exidor Limited reserve the right to alter specifications with or without prior notice and at such times in a manner they think fit. Customers are advised to call Exidor Limited on +44 (0) 1543 578661 if they require further details or clarification of specifications.

